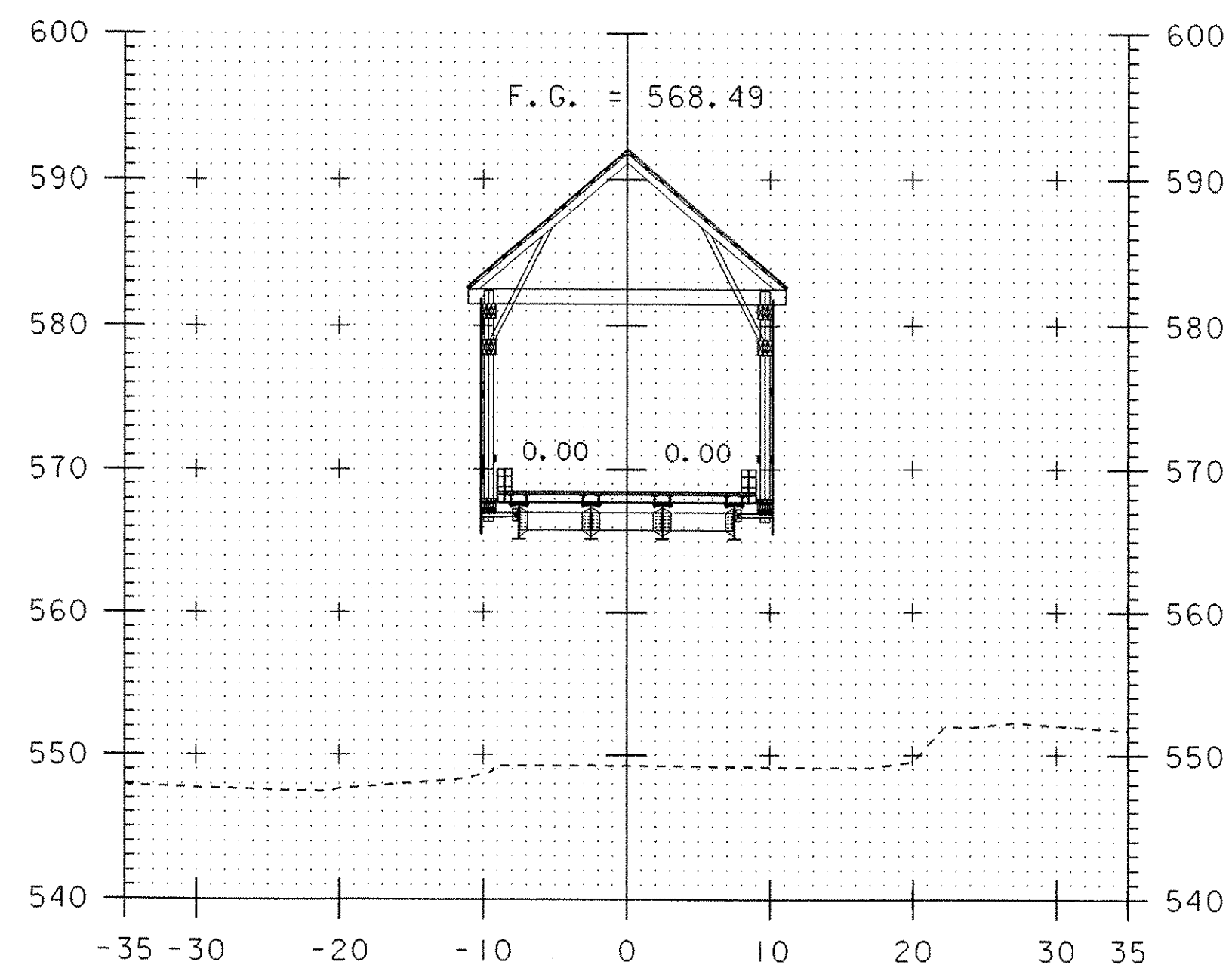
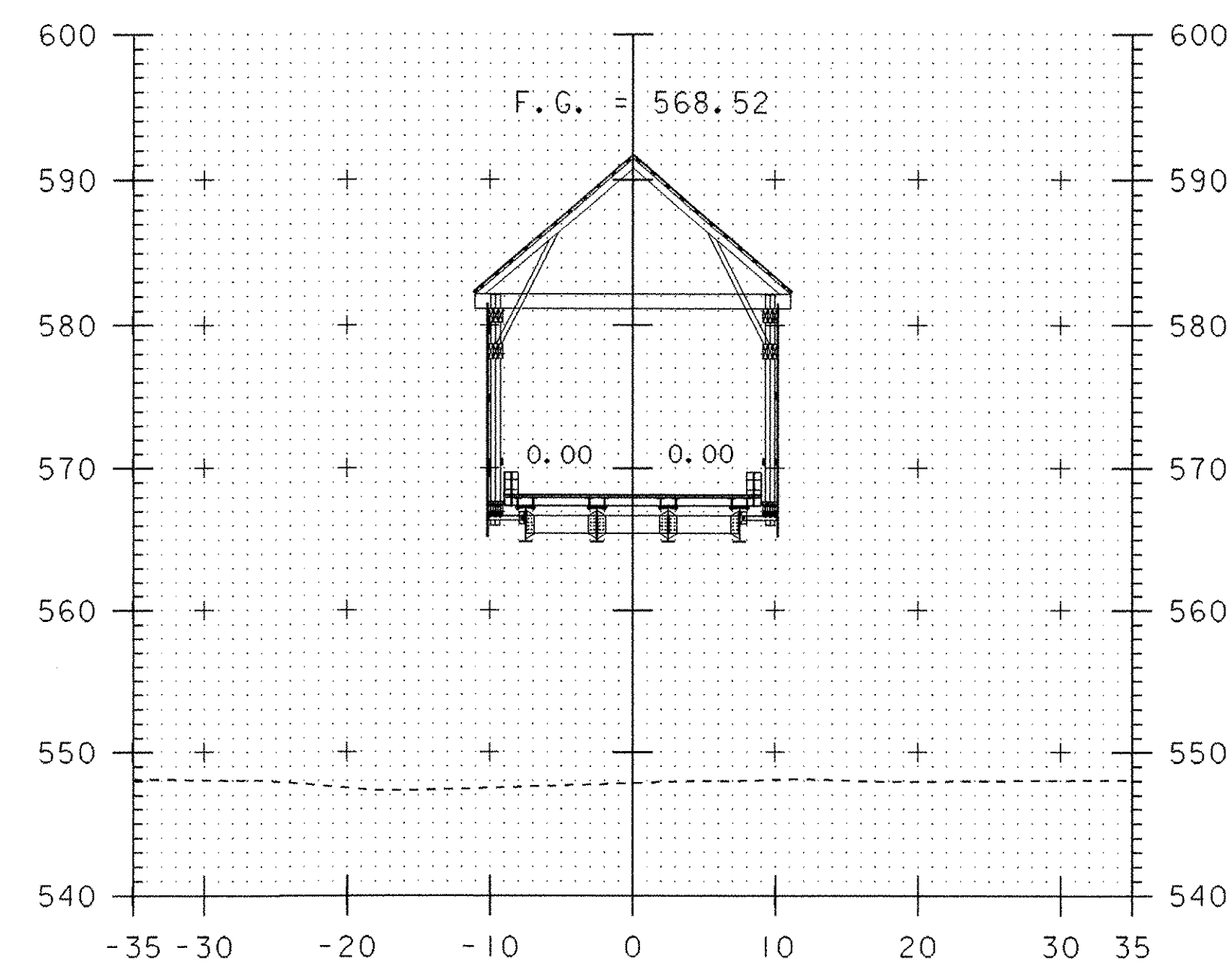


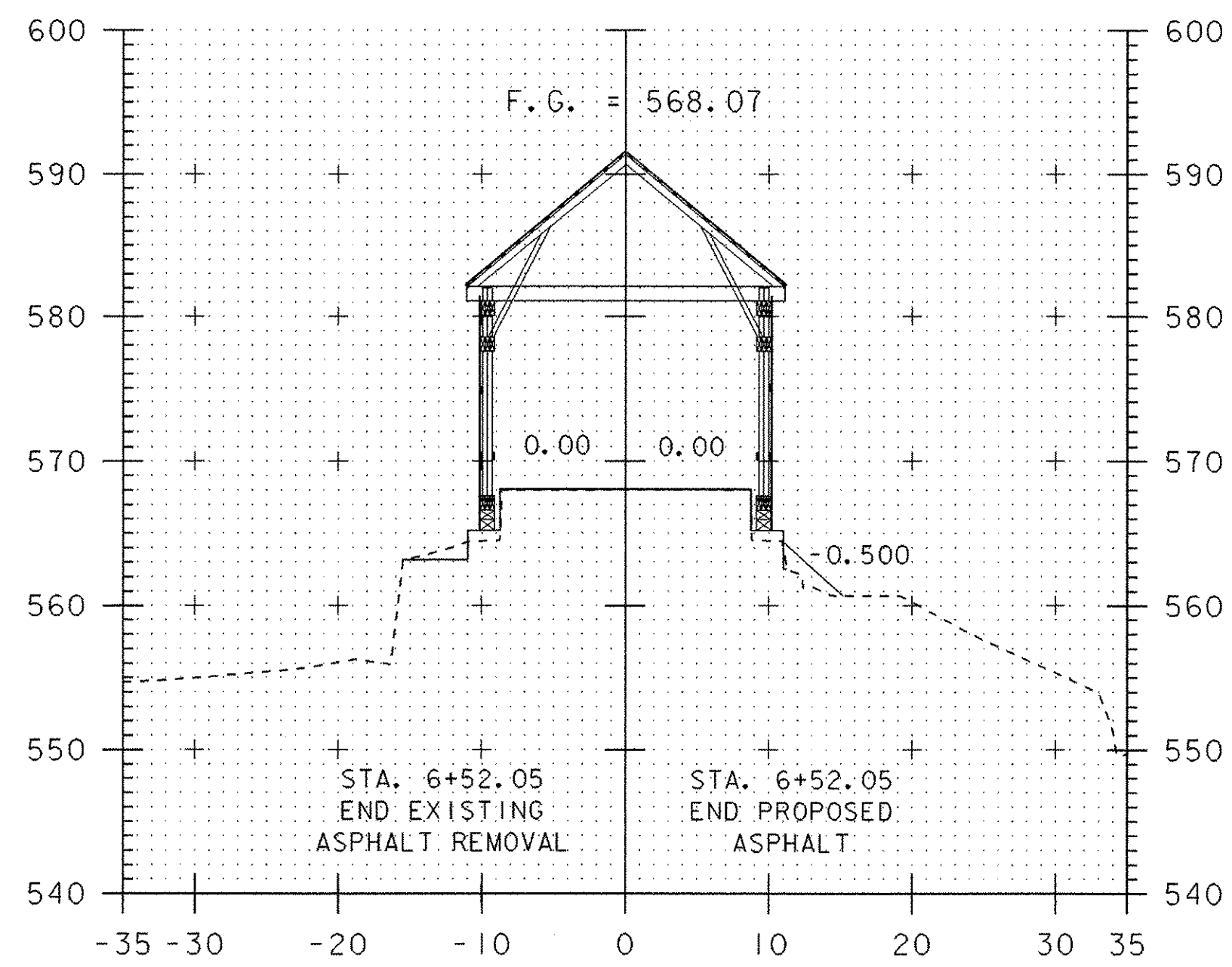
6+53.7
 ☉ ABUTMENT #1



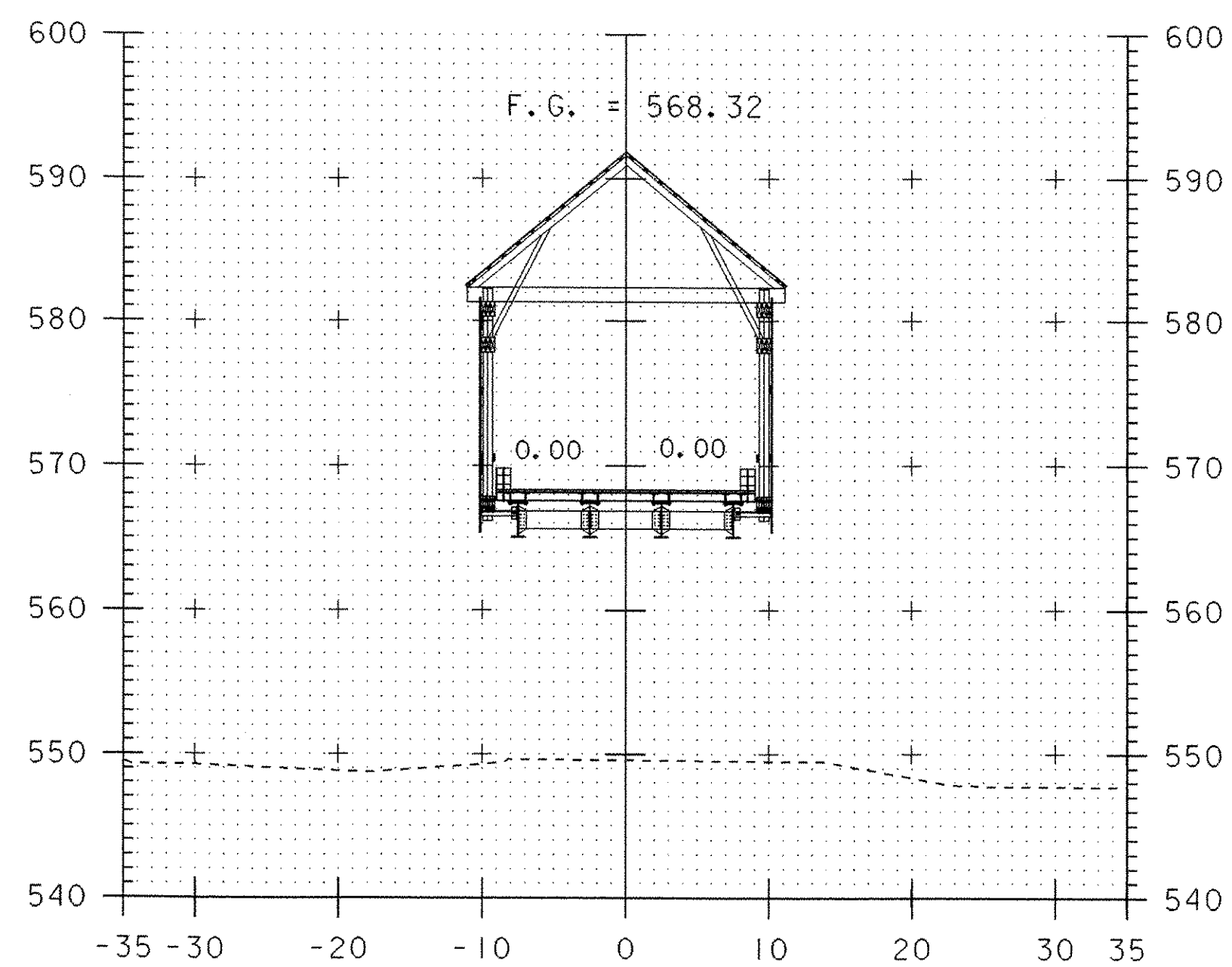
7+00



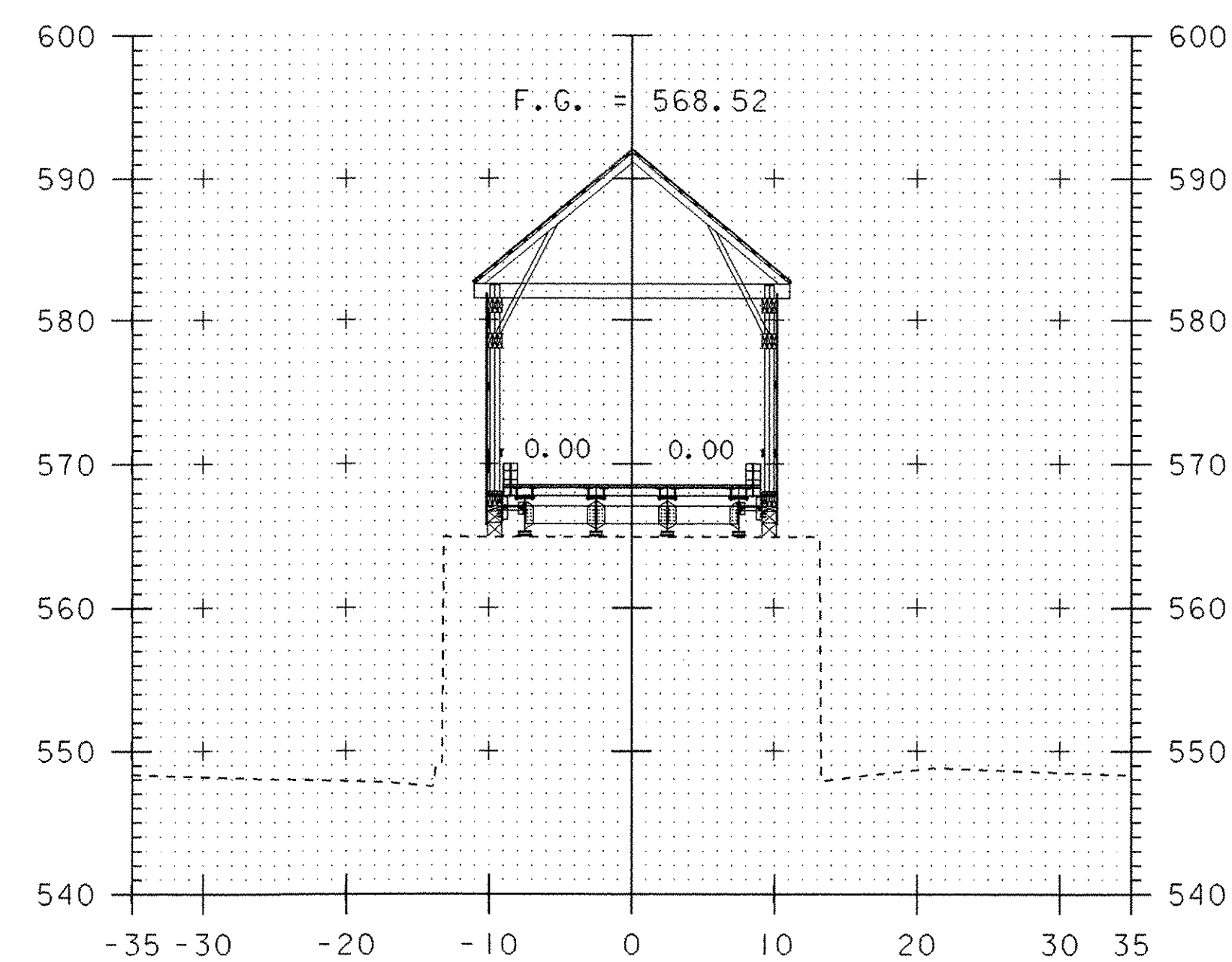
7+25



6+50



6+75



7+10.7

SCALE 1" = 10'-0"
 0 10 20

TH 6 MAIN LINE CROSS SECTIONS (2)

PROJECT NAME: THETFORD	PLOT DATE: 27-SEP-2006
PROJECT NUMBER: BHO 1444 (43)	DRAWN BY: G.ROKES
FILE NAME: Structures\s03j036wrk.dgn	CHECKED BY: S.SCRIBNER
PROJECT LEADER: M.EVANS-MONGEON	SHEET 46 OF 60
DESIGNED BY: G.ROKES	
IPARM: s03j036r2.i	