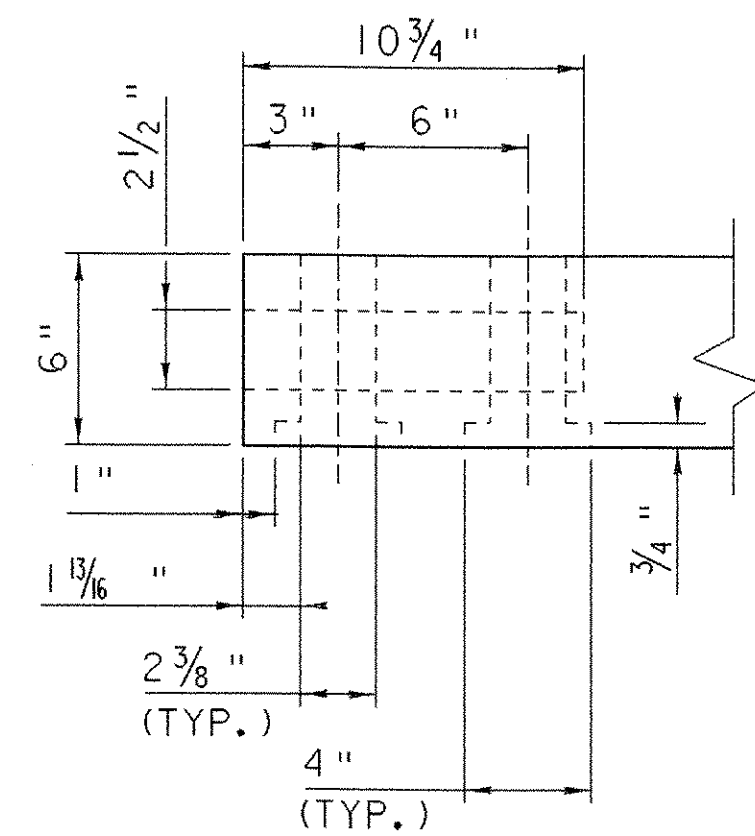
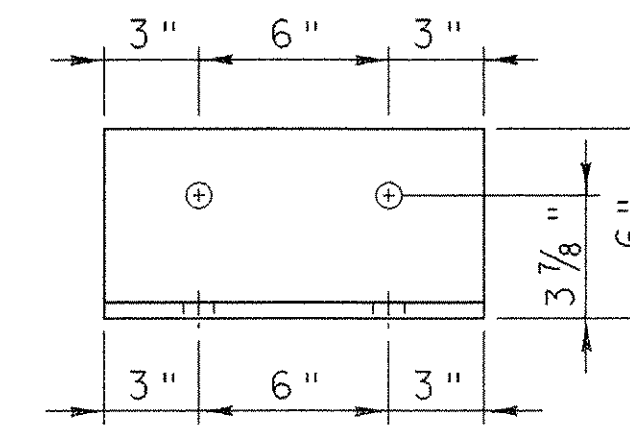


**TIMBER CURB NOTCH  
PLAN VIEW**

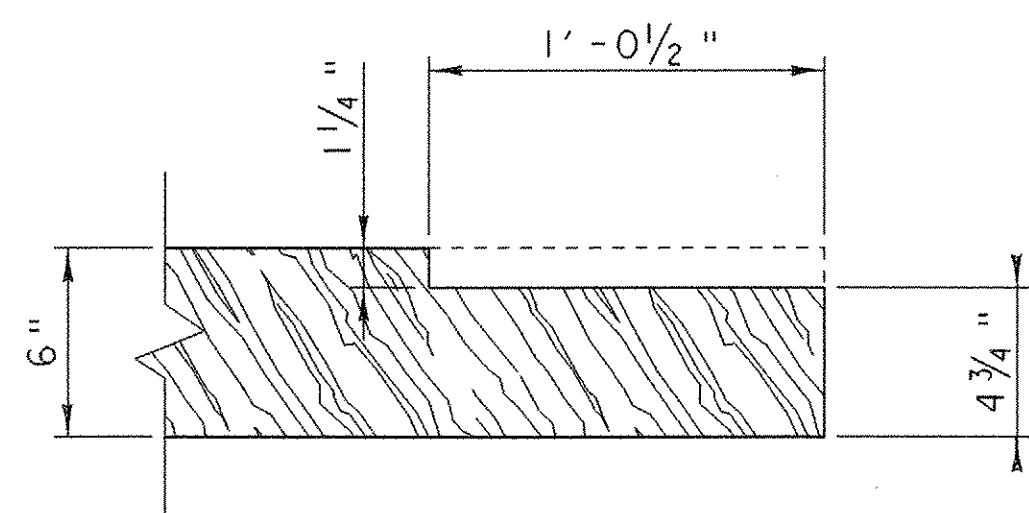


**TIMBER TRANSITION RAIL END  
PLAN VIEW**

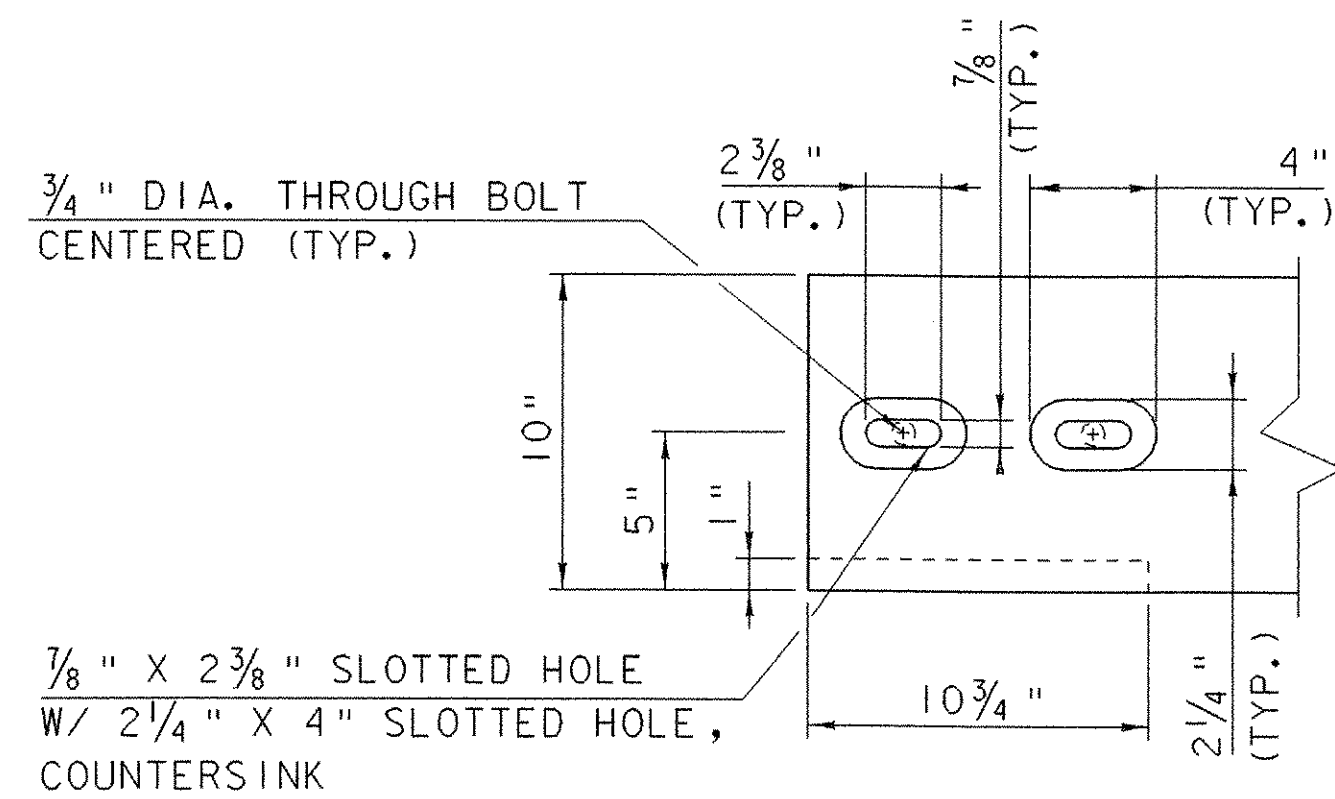


**8x6x1/2 STEEL ANGLE  
TRANSITION RAIL GUIDE  
PLAN VIEW**

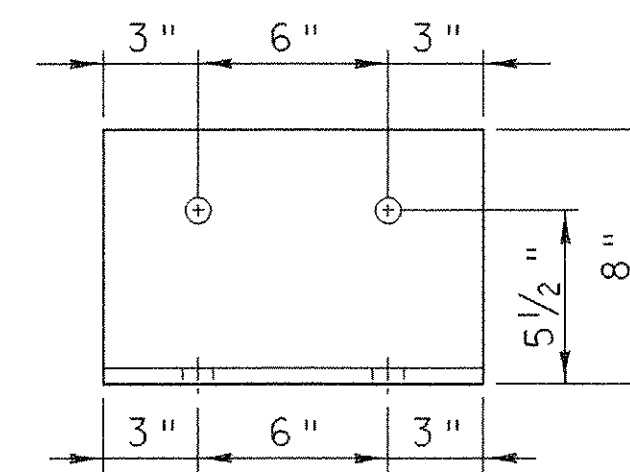
NOTE:  
PILOT HOLES ARE TO BE DRILLED INTO THE  
TIMBER CURB FOR ATTACHMENT OF THE CURB  
BLOCK AND 8"X6"X1/2" L SHAPE. THESE PILOT  
HOLES WILL BE 1/2" DIAMETER.



**TIMBER CURB NOTCH  
ELEVATION VIEW**

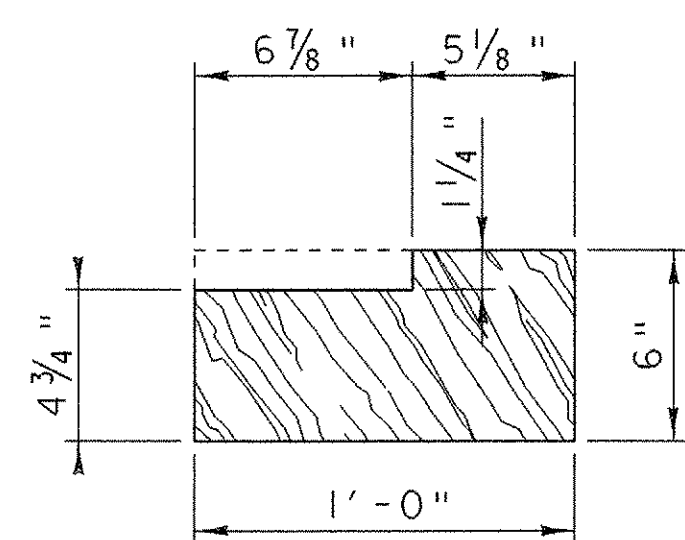


**TIMBER TRANSITION RAIL END  
ELEVATION VIEW**

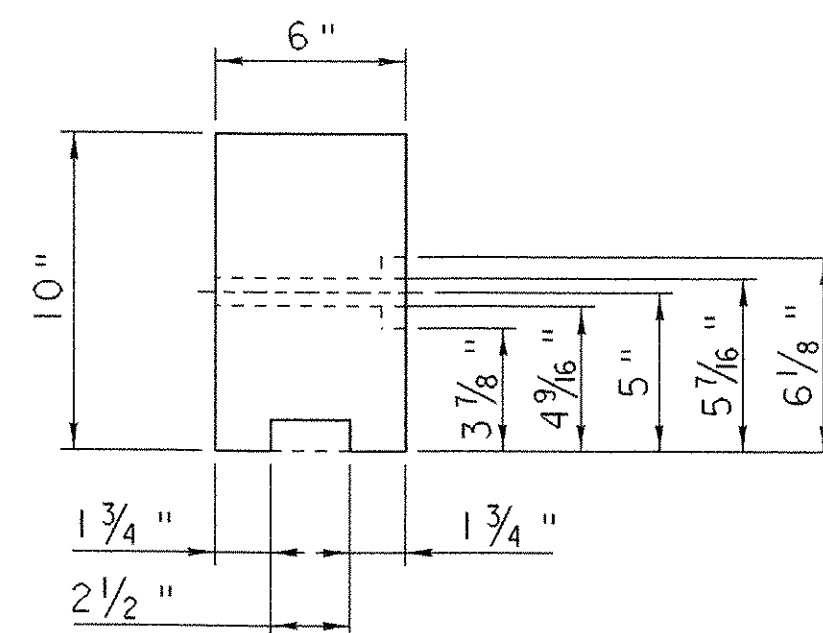


**8x6x1/2 STEEL ANGLE  
TRANSITION RAIL GUIDE  
ELEVATION VIEW**

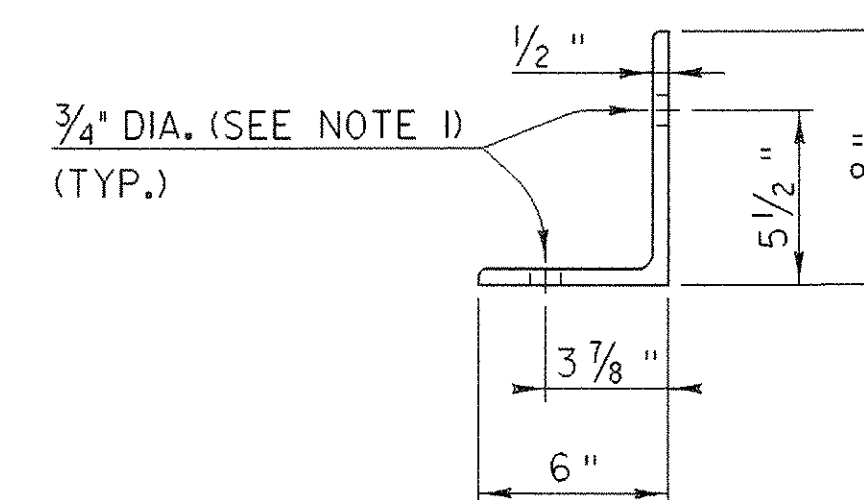
NOTE 1:  
ALL INDICATED DRILLED HOLE DIAMETERS  
WILL BE 5/16", UNLESS OTHERWISE NOTED.



**TIMBER CURB NOTCH  
END VIEW**



**TIMBER TRANSITION RAIL END  
END VIEW**



**8x6x1/2 STEEL ANGLE  
TRANSITION RAIL GUIDE  
END VIEW**

**TIMBER CURB  
NOTCH DETAILS**

**TIMBER TRANSITION RAIL  
END DETAILS**

**8x6x1/2 STEEL ANGLE TRANSITION  
RAIL GUIDE DETAILS**

**STEEL BACKED TIMBER TRANSITION RAIL  
TO TIMBER BRIDGE CURB DETAILS**

PROJECT NAME: THETFORD  
PROJECT NUMBER: BHO 1444 (43)

FILE NAME: Structures\s03j036abt.dgn PLOT DATE: 27-SEP-2006  
PROJECT LEADER: M. EVANS-MONGEON DRAWN BY: G. ROKES  
DESIGNED BY: G. ROKES CHECKED BY: S. SCRIBNER  
IPARM: s03j036blk2.1 SHEET 41 OF 60

ALL DETAILS ON THIS SHEET ARE NOT TO SCALE