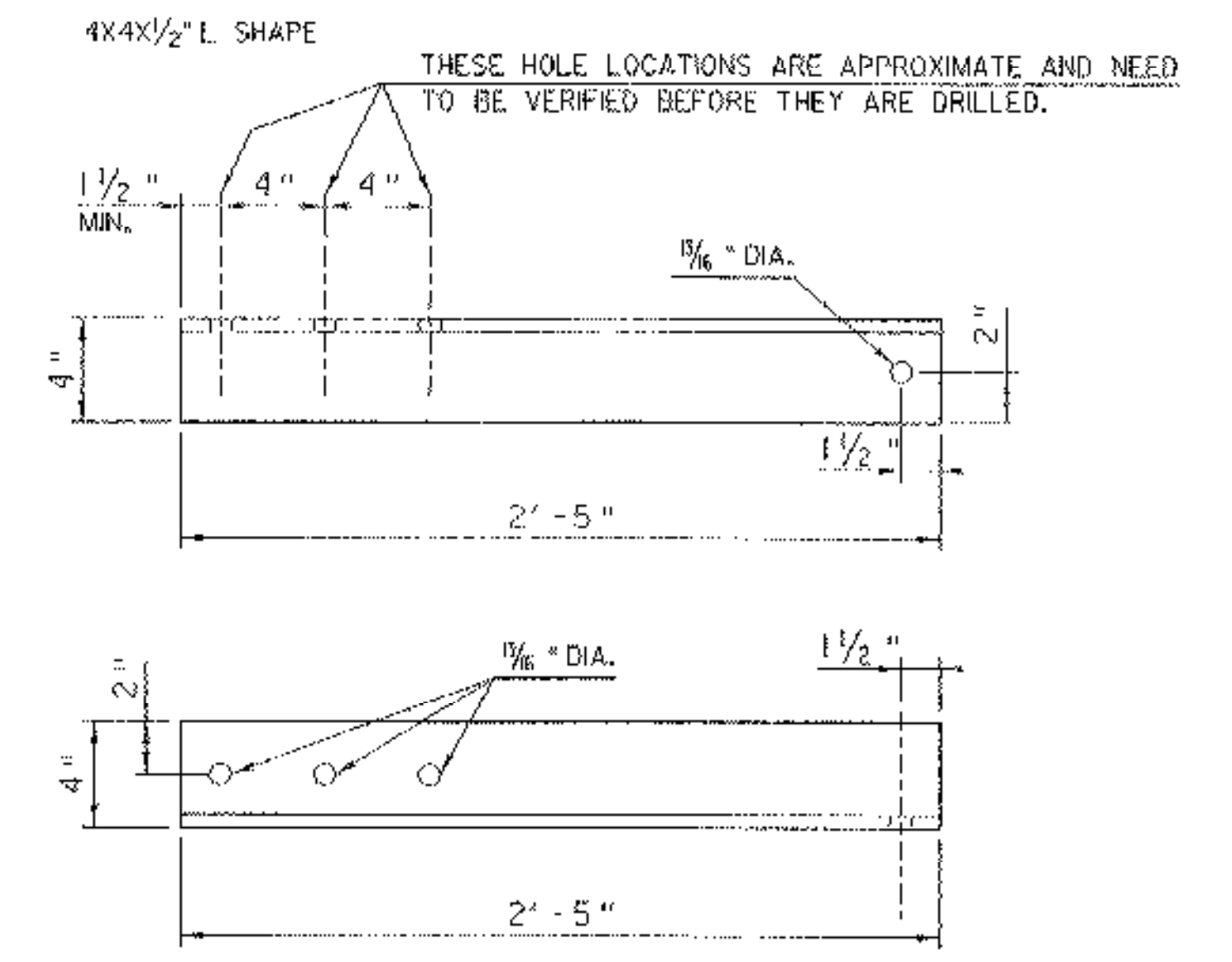


EXISTING EXTERIOR GIRDER TO TIMBER TRUSS CONNECTION WILL BE REMOVED TO WITHIN $\frac{1}{2}$ " OF THE GIRDER WEB. PAYMENT FOR THIS WORK IS INCIDENTAL TO ITEM 506.60 STRUCTURAL STEEL.

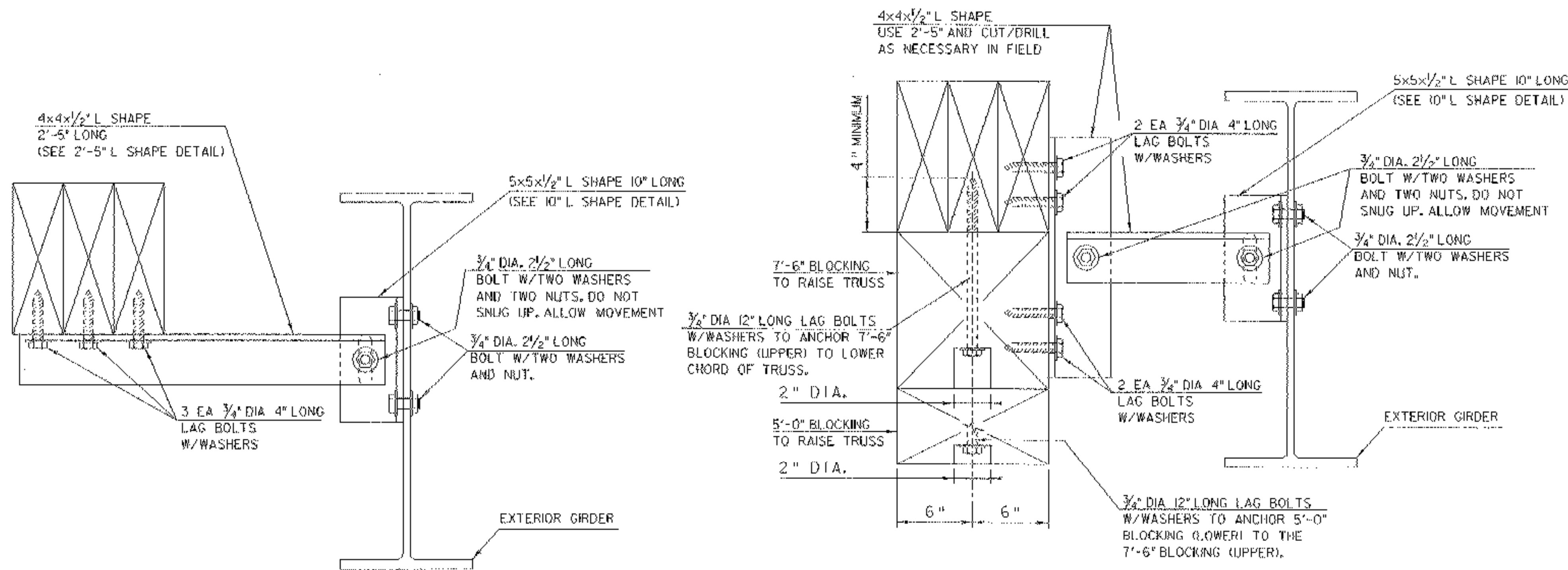
LOWER CHORD TO EXTERIOR GIRDER ATTACHMENT. PLACE THIS ASSEMBLY NEAR EACH DIAPHRAM (DO NOT DRILL WITHIN 6" OF DIAPHRAM WELDS) AND PLACE THESE ASSEMBLIES AT MID POINTS BETWEEN DIAPHRAMS. (SEE LOWER CHORD ATTACHMENT DETAIL) OTHER SIDE SIMILAR

SCALE 1" = 1'

LOWER CHORD TO EXTERIOR GIRDER ATTACHMENT



2'-5" L SHAPE DETAIL



NOTE: THREE PILOT HOLES ARE TO BE DRILLED INTO THE LOWER CHORD FOR LAG BOLT PLACEMENT. THESE HOLES WILL BE $\frac{1}{2}$ " DIAMETER.

PAYMENT FOR THIS DETAIL IS INCIDENTAL TO PAY ITEM 506.60 STRUCTURAL STEEL.

NTS

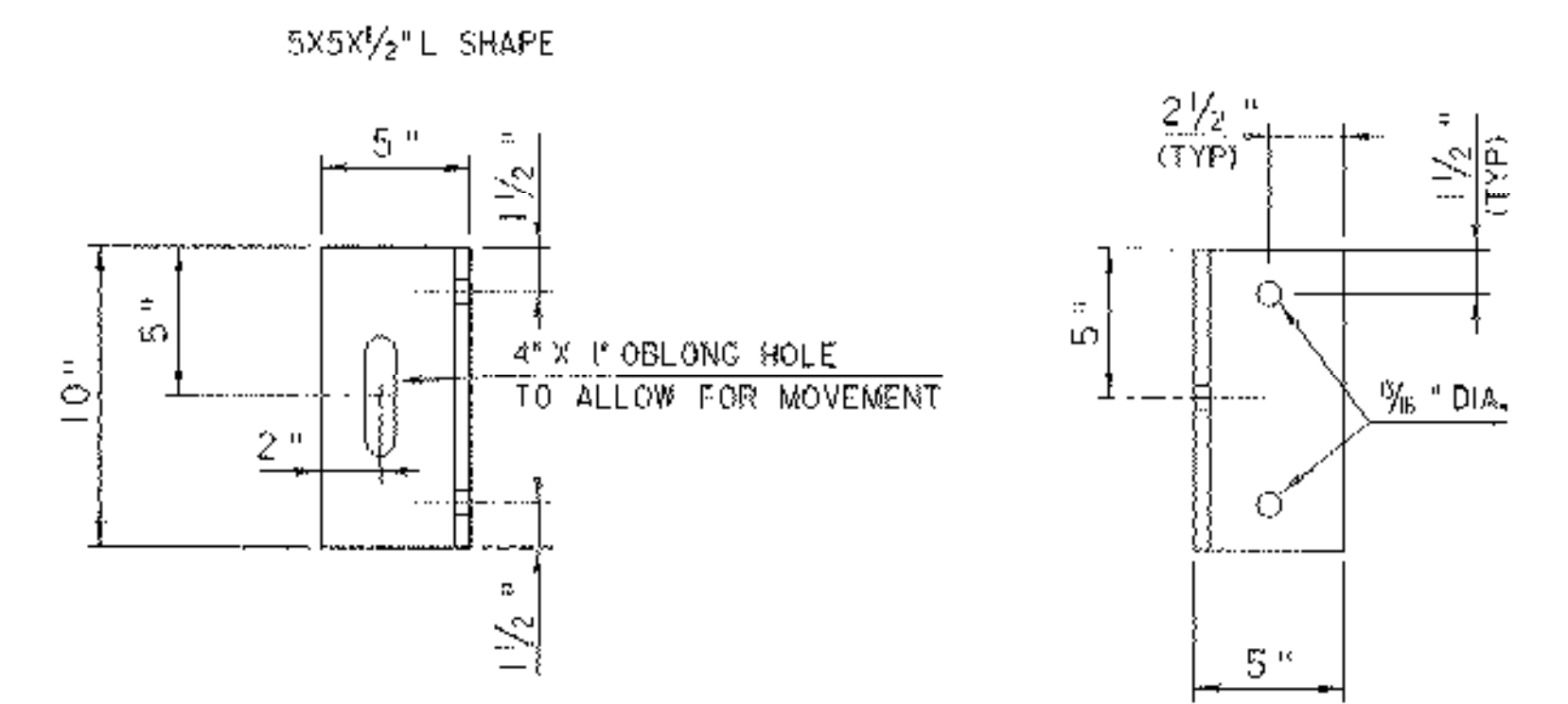
LOWER CHORD ATTACHMENT DETAIL

NOTE: FOUR PILOT HOLES ARE TO BE DRILLED INTO THE LOWER CHORD FOR LAG BOLT PLACEMENT. THESE HOLES WILL BE $\frac{1}{2}$ " DIAMETER.

PAYMENT FOR THIS DETAIL IS INCIDENTAL TO PAY ITEM 506.60 STRUCTURAL STEEL.

NTS

LOWER CHORD ATTACHMENT NEAR PIER BLOCKING DETAIL



10" L SHAPE DETAIL

LOWER CHORD TO EXTERIOR GIRDER ATTACHMENT DETAILS

PROJECT NAME: THETFORD
PROJECT NUMBER: BHO 1444 (43)

FILE NAME: Structures\s03j036ab1.dgn PLOT DATE: 27-SEP-2006
PROJECT LEADER: M.EVANS-MONGEON DRAWN BY: G.ROKES
DESIGNED BY: M. EVANS-MONGEON CHECKED BY: S. SCRIBNER
IPARM: s03j036b1.q1 SHEET 34 OF 60