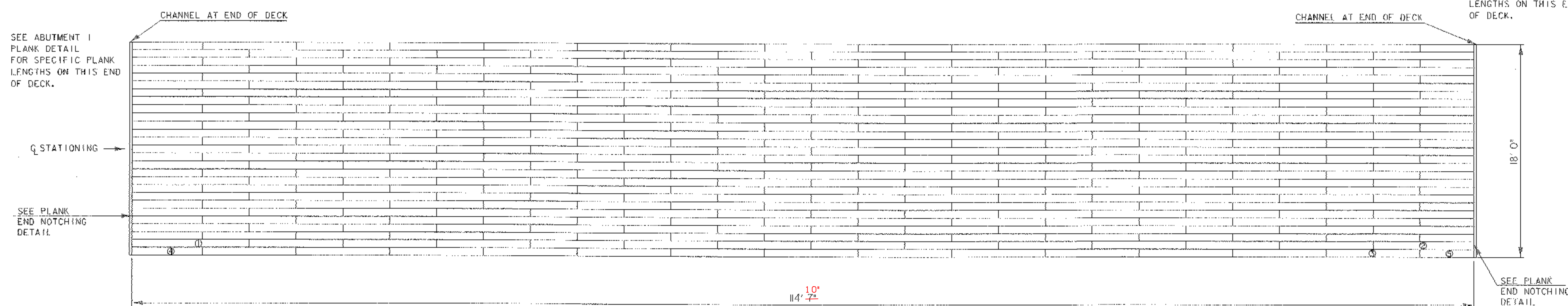


SEE ABUTMENT 2
PLANK DETAIL
FOR SPECIFIC PLANK
LENGTHS ON THIS END
OF DECK.

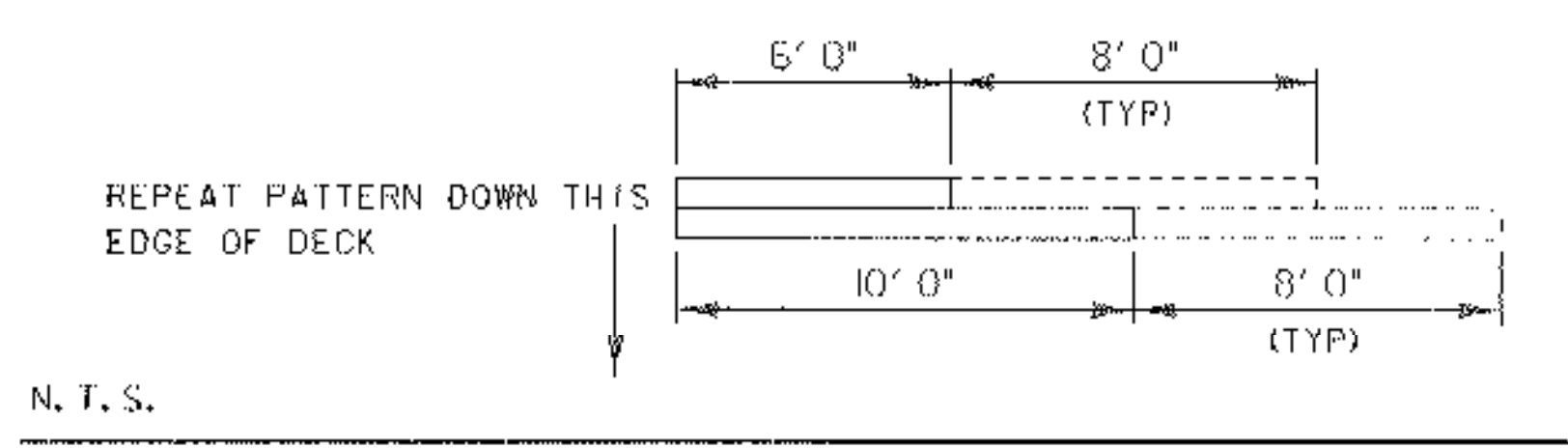


PLANK LAYOUT

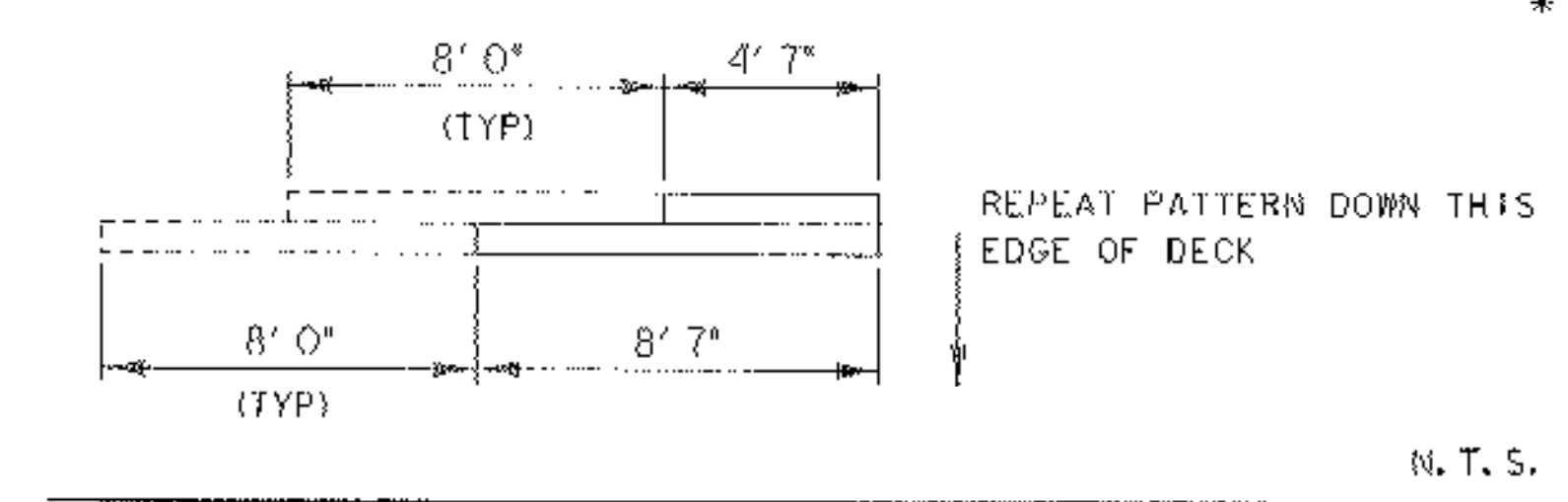
SCALE 1/4"=1'

PLANK DESCRIPTION	
PLANK LOCATION	PLANK LENGTH
1	10'-0"
2	8'-7"
3	8'-0"
4	6'-0"
5	4'-7"

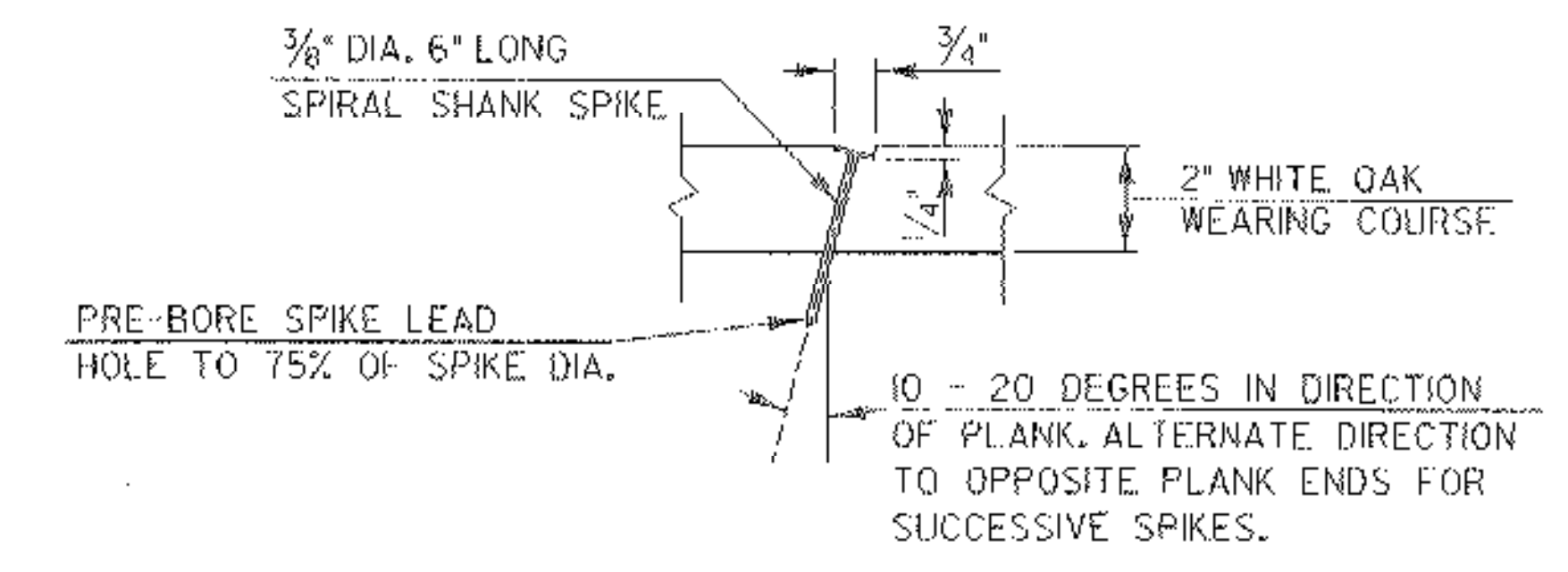
* PLANK LOCATIONS SHOWN ON PLANK LAYOUT DETAIL



ABUTMENT 1 PLANK DETAIL

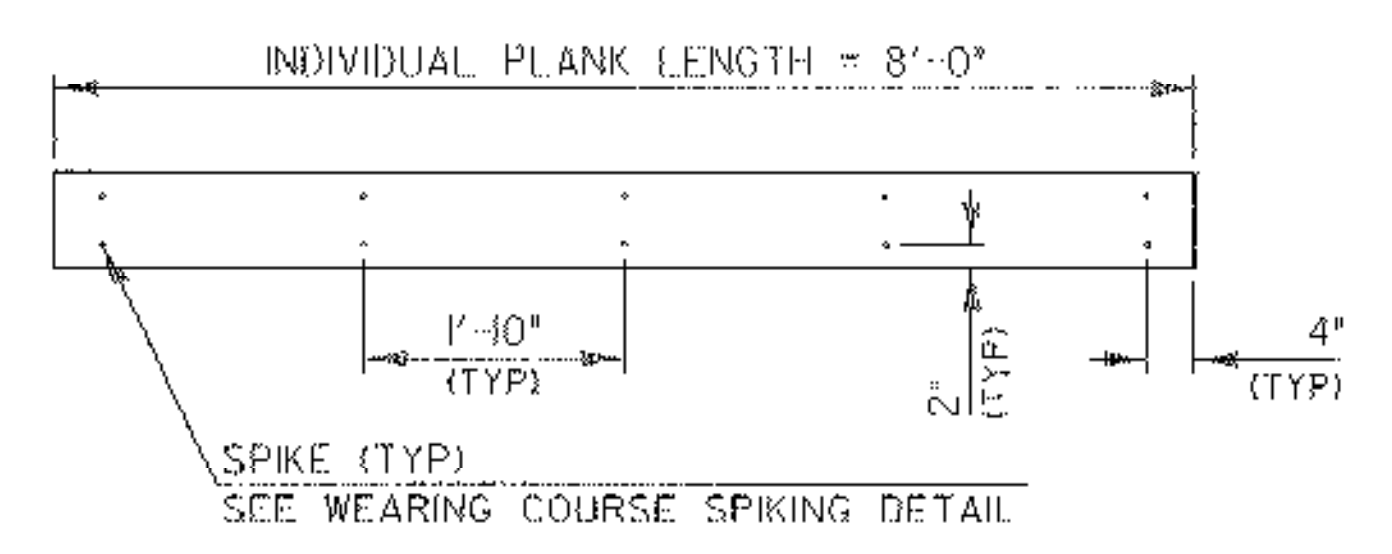


ABUTMENT 2 PLANK DETAIL

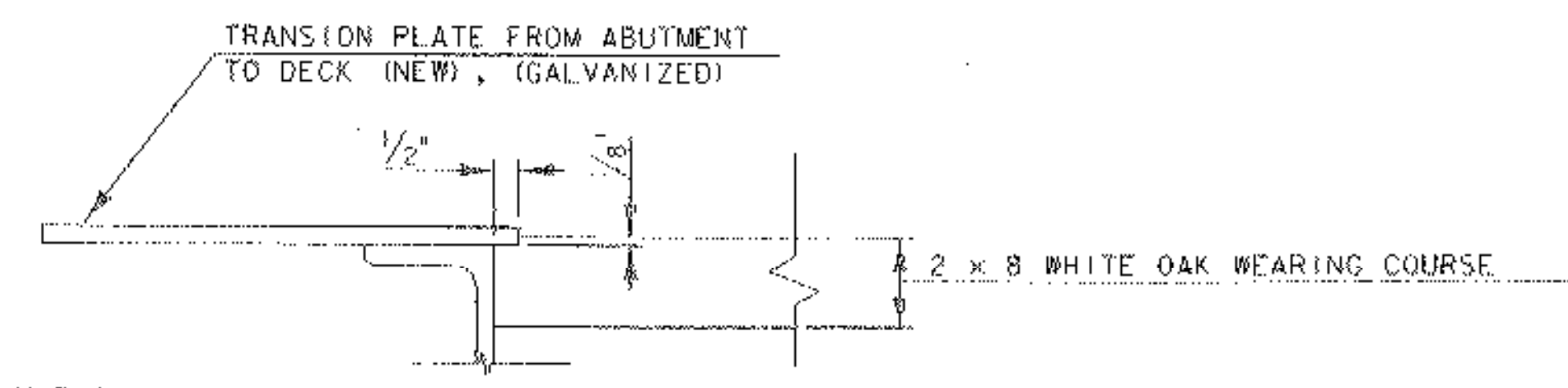


WEARING COURSE SPIKING DETAIL

GENERAL NOTE:
THE TERM PLANKING AND OR WEARING COURSE INDICATES THE USE OF 2 x 8 (ACTUAL DIMENSIONS) ROUGH SAWN WHITE OAK PLANKS.



DECK WEARING SURFACE SPIKE LAYOUT



PLANK END NOTCHING DETAIL

PLANK WEARING COURSE LAYOUT

PROJECT NAME:	THETFORD	PLOT DATE:	24-OCT-2006
PROJECT NUMBER:	BHQ 1444 (43)	DRAWN BY:	G.ROKES
FILE NAME:	Structures\s03j036abt.dgn	CHECKED BY:	S. SCRIBNER
DESIGNED BY:	G.ROKES	SHEET	32 OF 60
IPARM:	s03j036bpl1		

REVISED OCT. 24, 2006