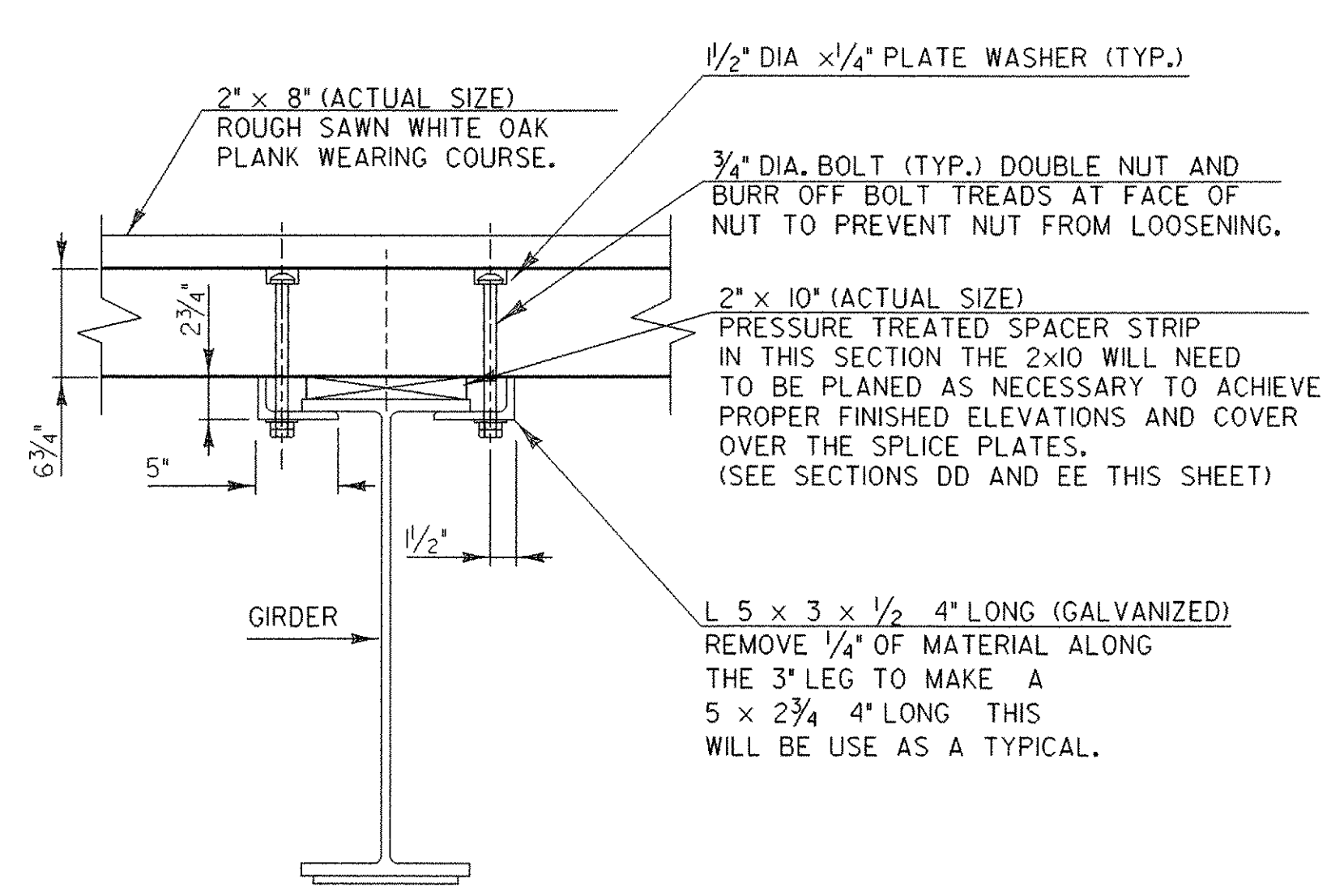
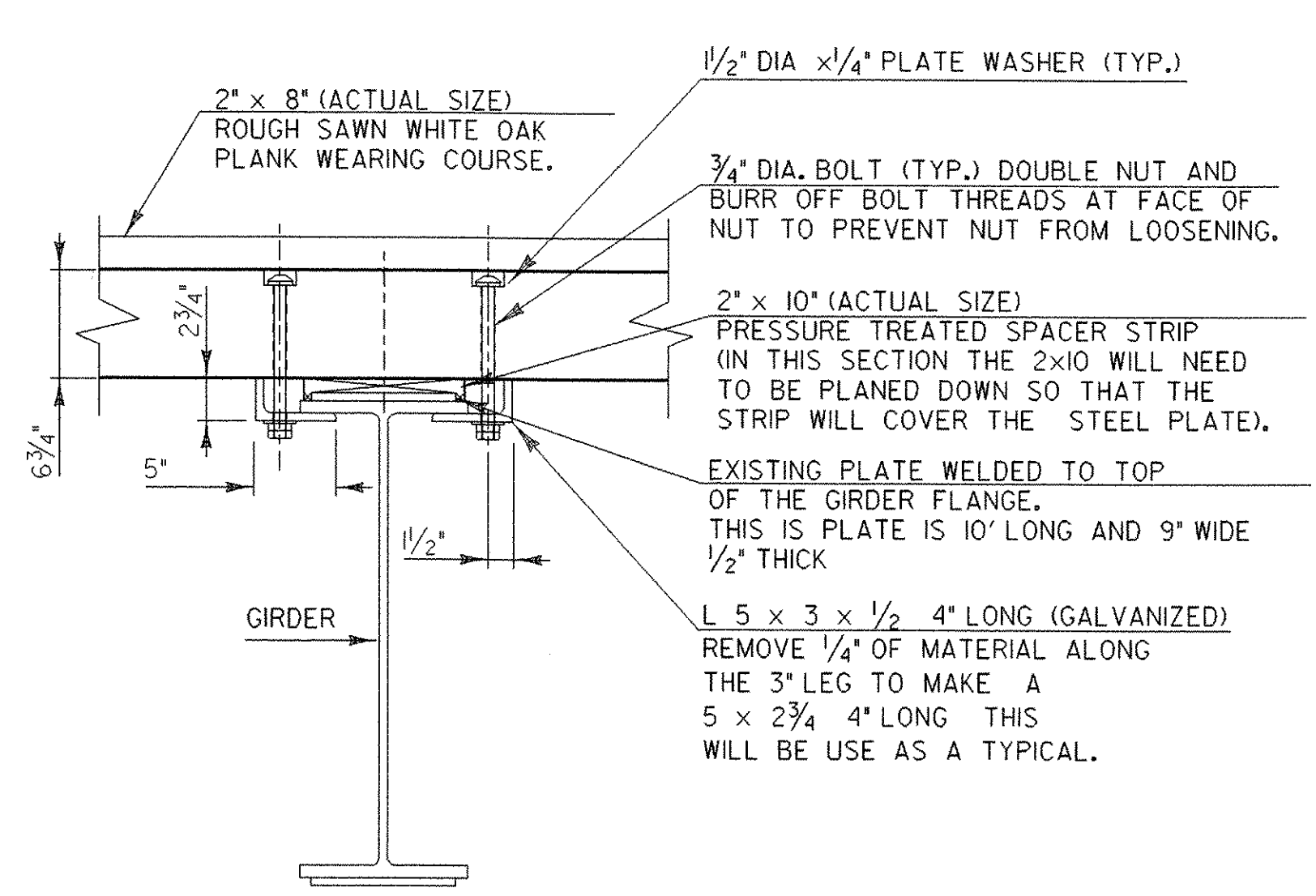


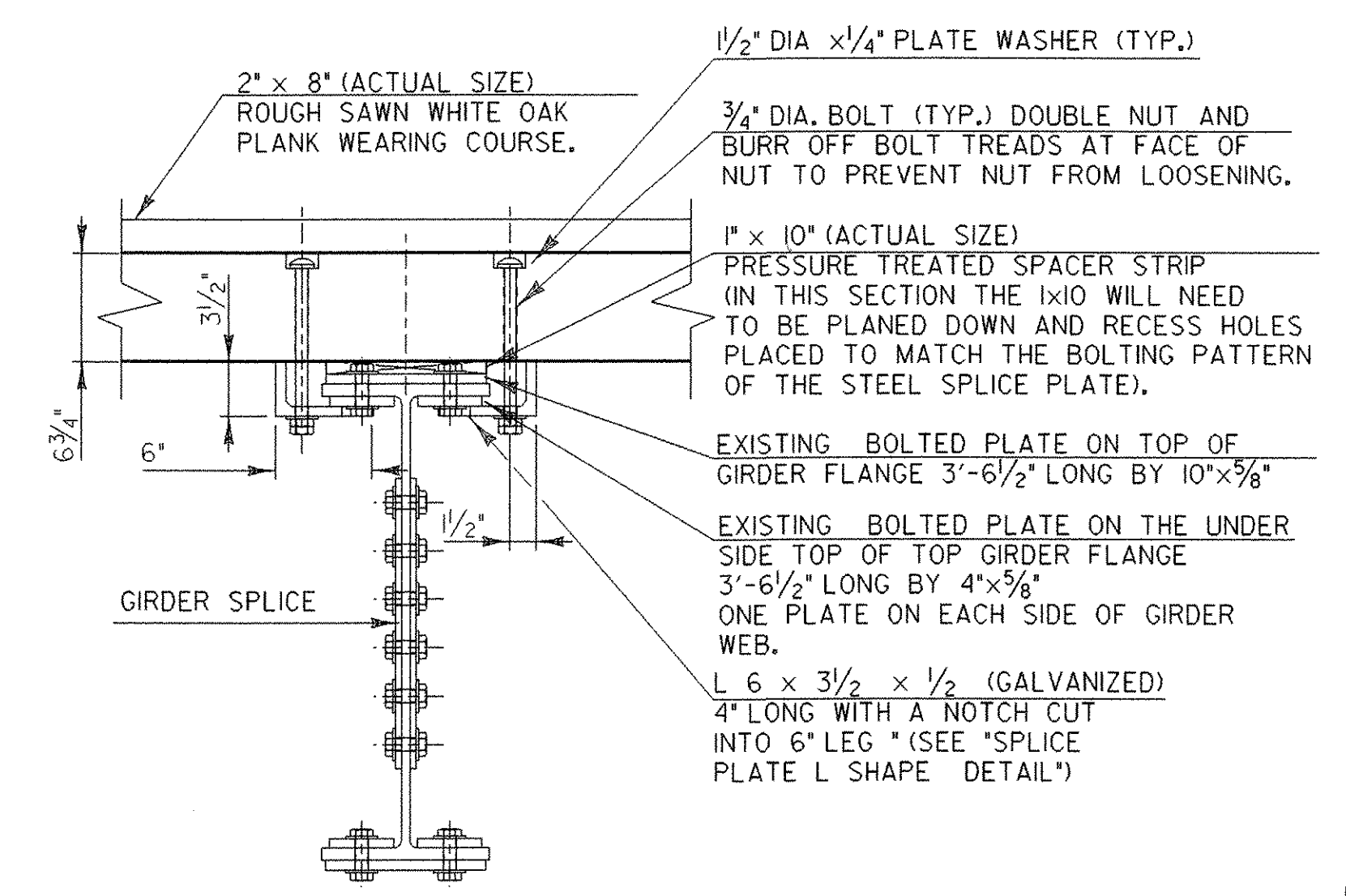
ALL HOLE LOCATIONS ARE TO BE DRILLED IN FIELD SCALE 1/4"=1'



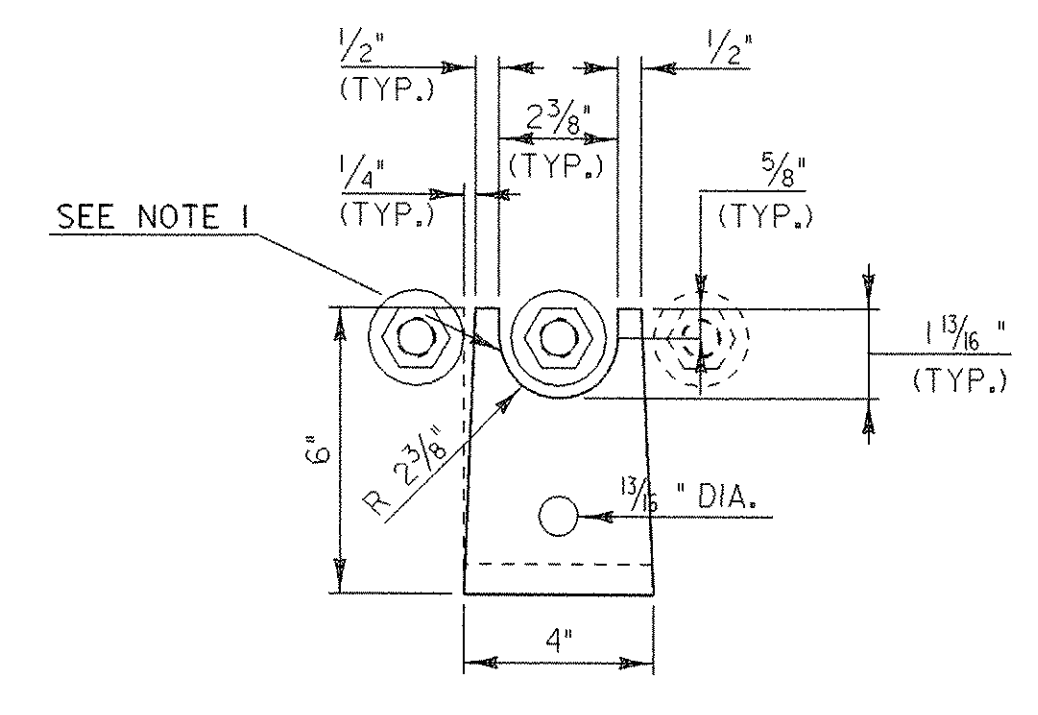
**SECTION C-C**  
NTS



**SECTION D-D**  
NTS



**SECTION E-E**  
NTS



NOTE 1: THE BOLT NOTCH LOCATIONS ARE ESTIMATED. THE ACTUAL BOLT NOTCHES WILL NEED TO BE FIT IN FIELD.

**SPlice PLATE L SHAPE DETAIL** NTS

**GLUE LAMINATED DECK LAYOUT SHEET**

PROJECT NAME: THETFORD	PROJECT NUMBER: BHO 1444 (43)
FILE NAME: Structures\s03j036ab+1.dgn	PLOT DATE: 24-OCT-2006
PROJECT LEADER: M.EVANS-MONGEON	DRAWN BY: G.ROKES
DESIGNED BY: G.ROKES	CHECKED BY: S. SCRIBNER
IPARM: s03j036bd.l	SHEET 31 OF 60

**REVISED OCT. 24, 2006**