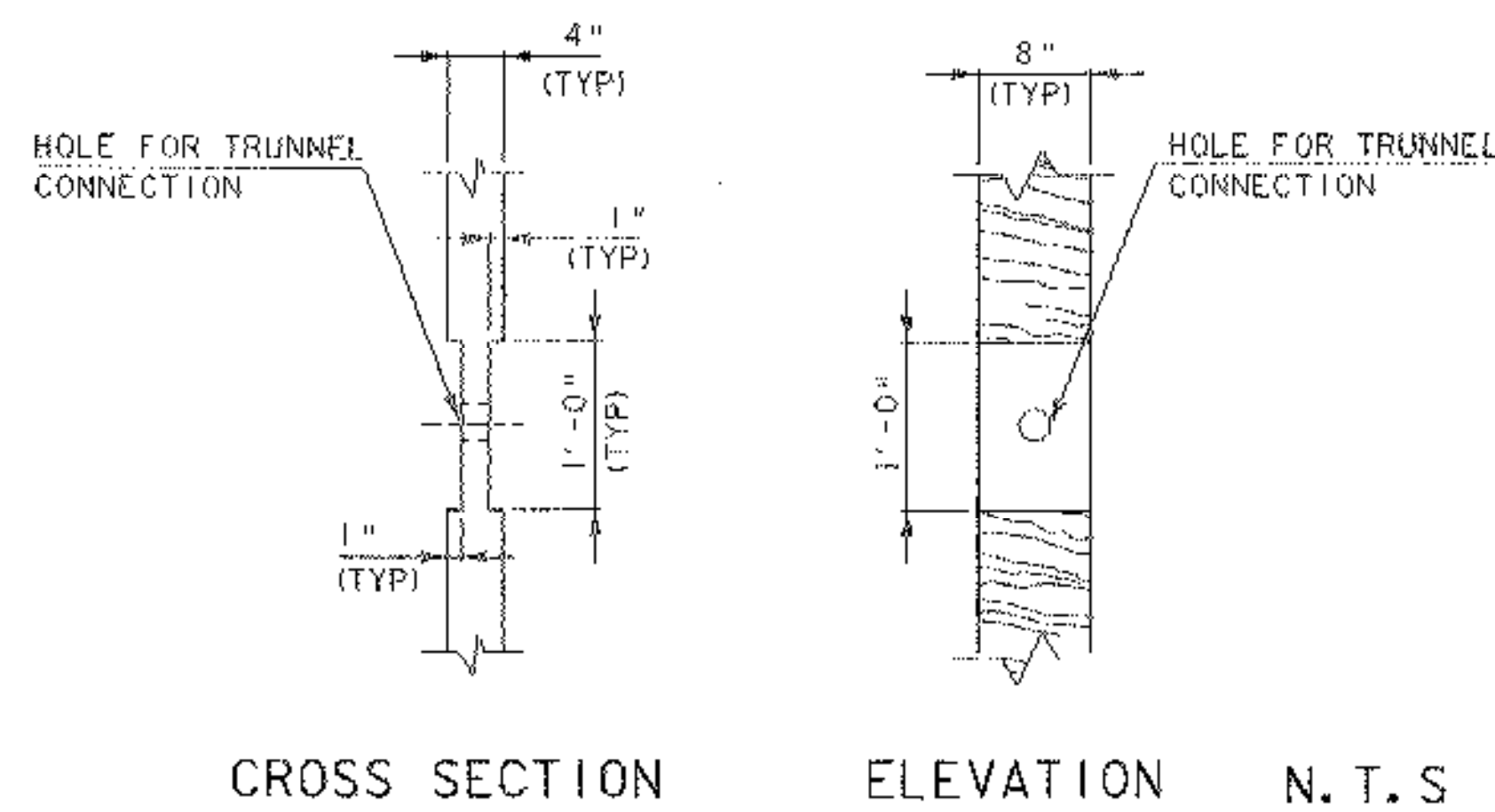
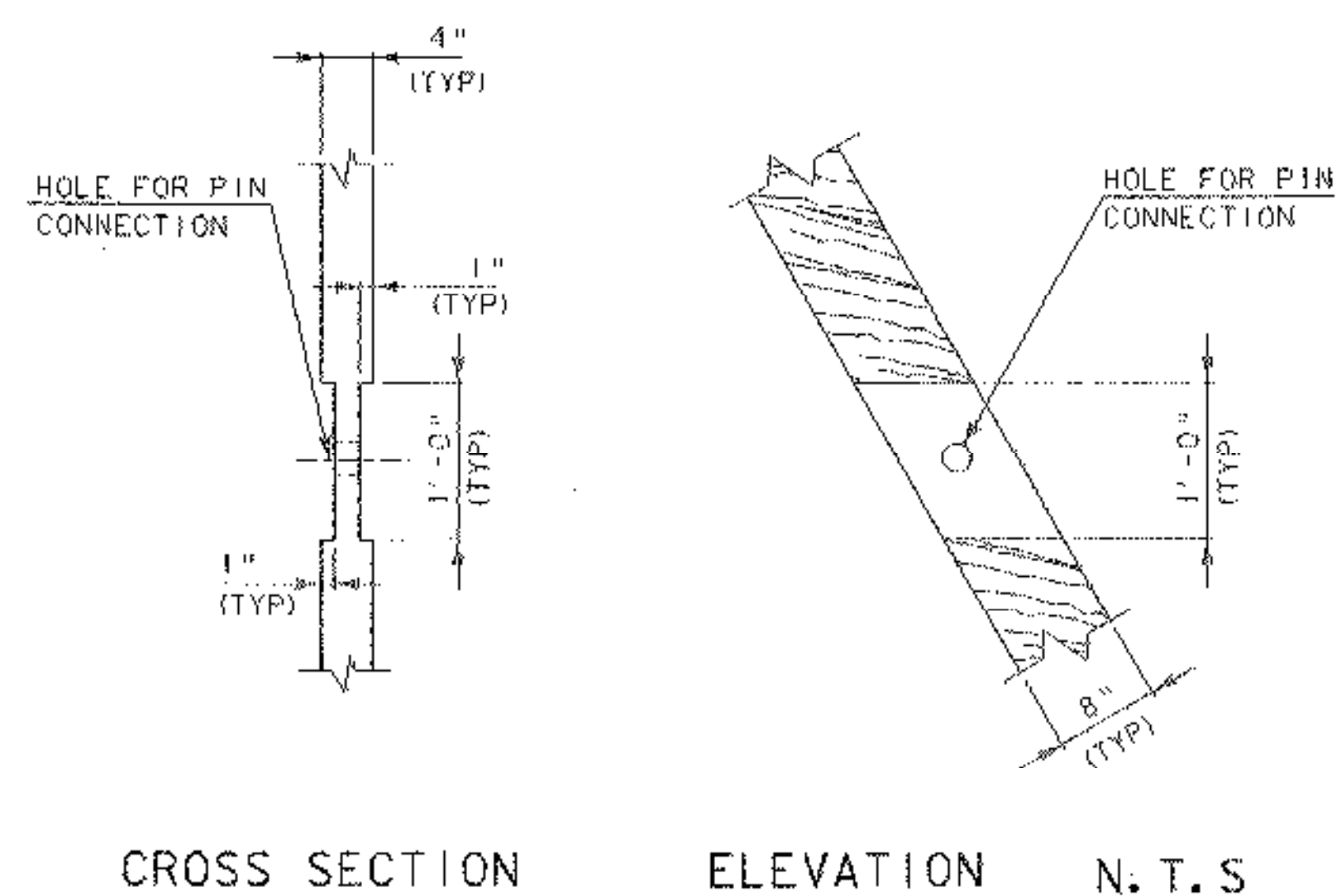


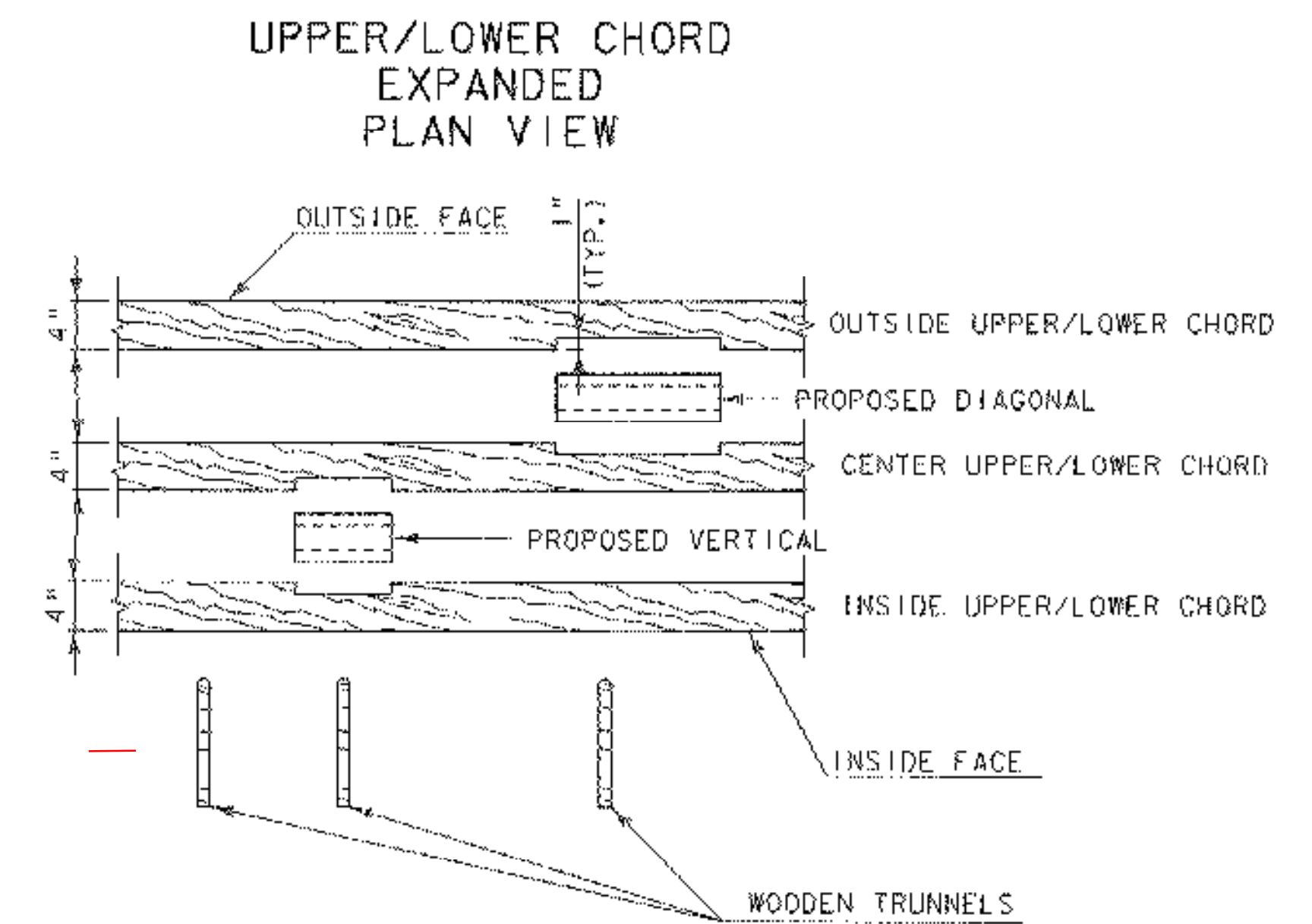
**TYPICAL BRIDGE TRUSS CONFIGURATION ELEVATION VIEW**



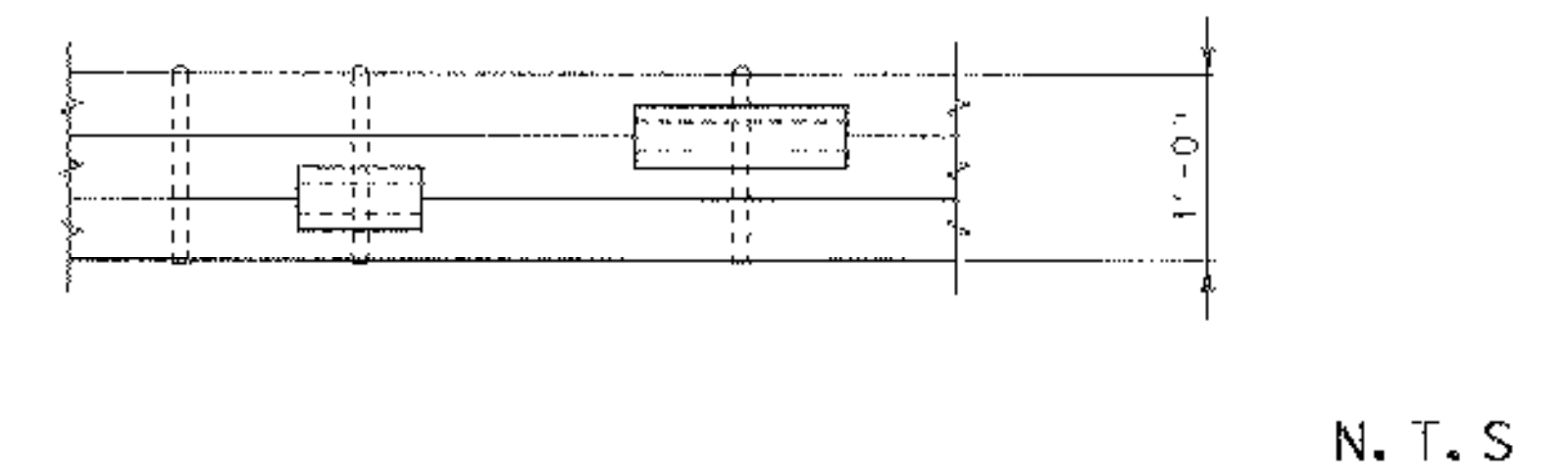
**TYPICAL NOTCHING FOR PROPOSED VERTICAL MEMBERS**



**TYPICAL NOTCHING FOR PROPOSED DIAGONAL MEMBERS**



**UPPER/LOWER CHORD ASSEMBLED AND PINNED PLAN VIEW**



**UPPER/LOWER CHORD ASSEMBLY**

NOTE:

THE BURR ARCH ASSEMBLY IS SIMILAR TO THE UPPER AND LOWER CHORD. THE ASSEMBLY THROUGH THE ARCH VARIES IN MEASUREMENTS. TYPICAL NOTCHING FOR VERTICAL AND DIAGONAL THROUGH THE ARCH WAS NOT DETAILED. THESE SECTIONS WILL NEED TO BE FIT IN FIELD.

**TIMBER TRUSS ASSEMBLY AND CONFIGURATION SHEET**

PROJECT NAME:	THETFORD	PLOT DATE:	27-SEP-2006
PROJECT NUMBER:	BHO 1444 (43)	DRAWN BY:	G.ROKES
FILE NAME:	Structures\s03j036abt.dgn	CHECKED BY:	S. SCRIBNER
PROJECT LEADER:	M.EVANS-MUNGEON	SHEET	29 OF 60
DESIGNED BY:	G.ROKES		
IPARM:	s03j036b+d.f		