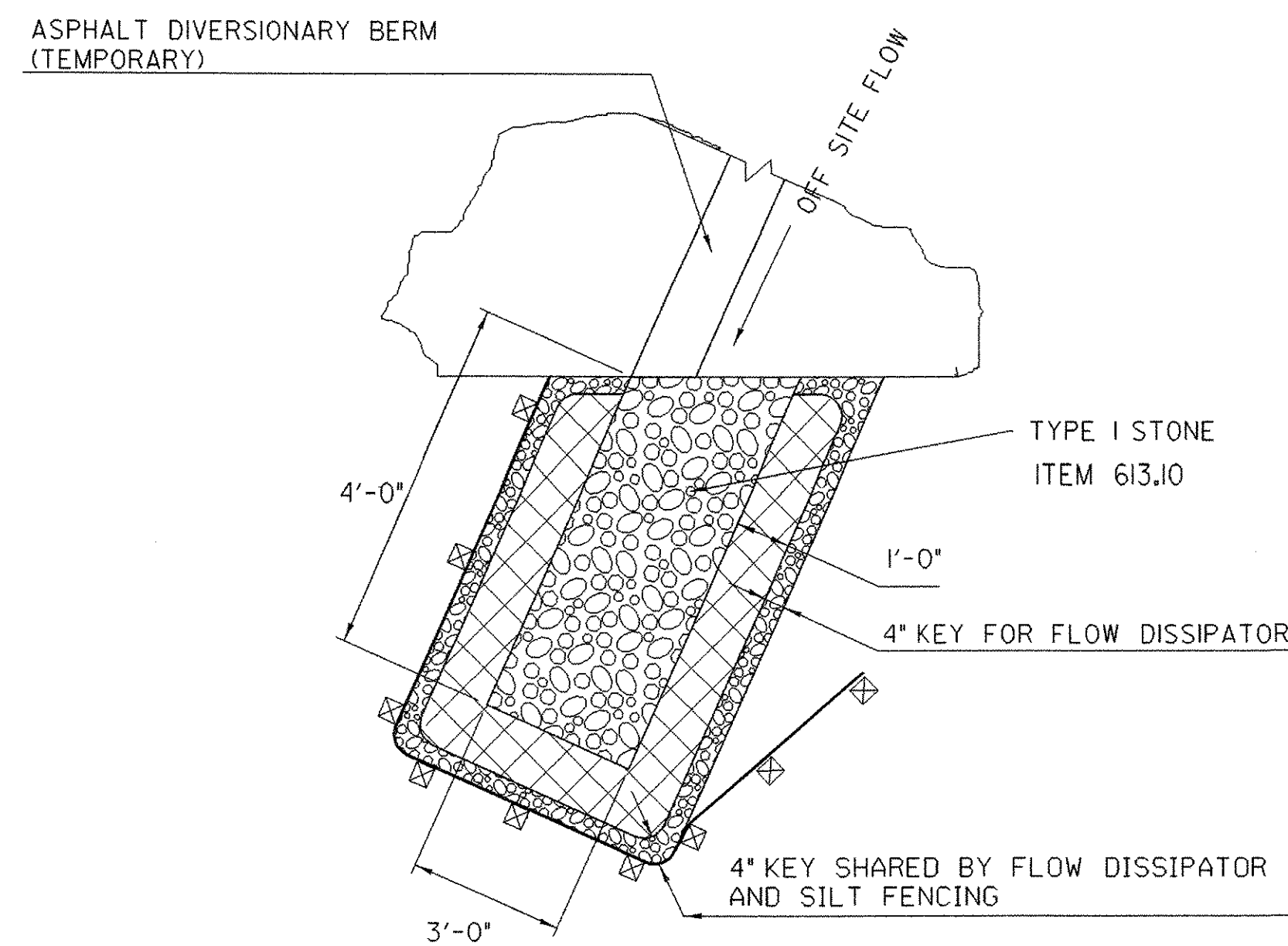
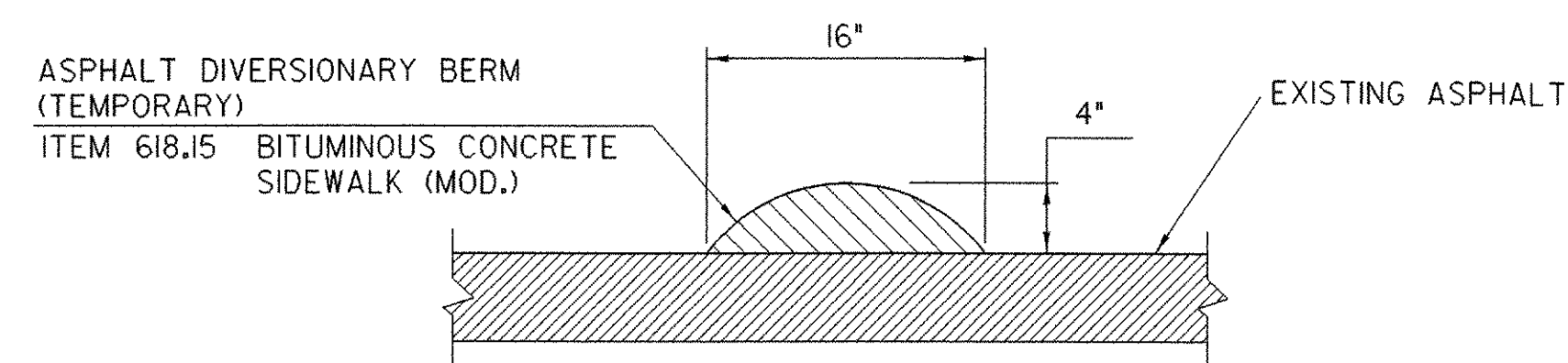


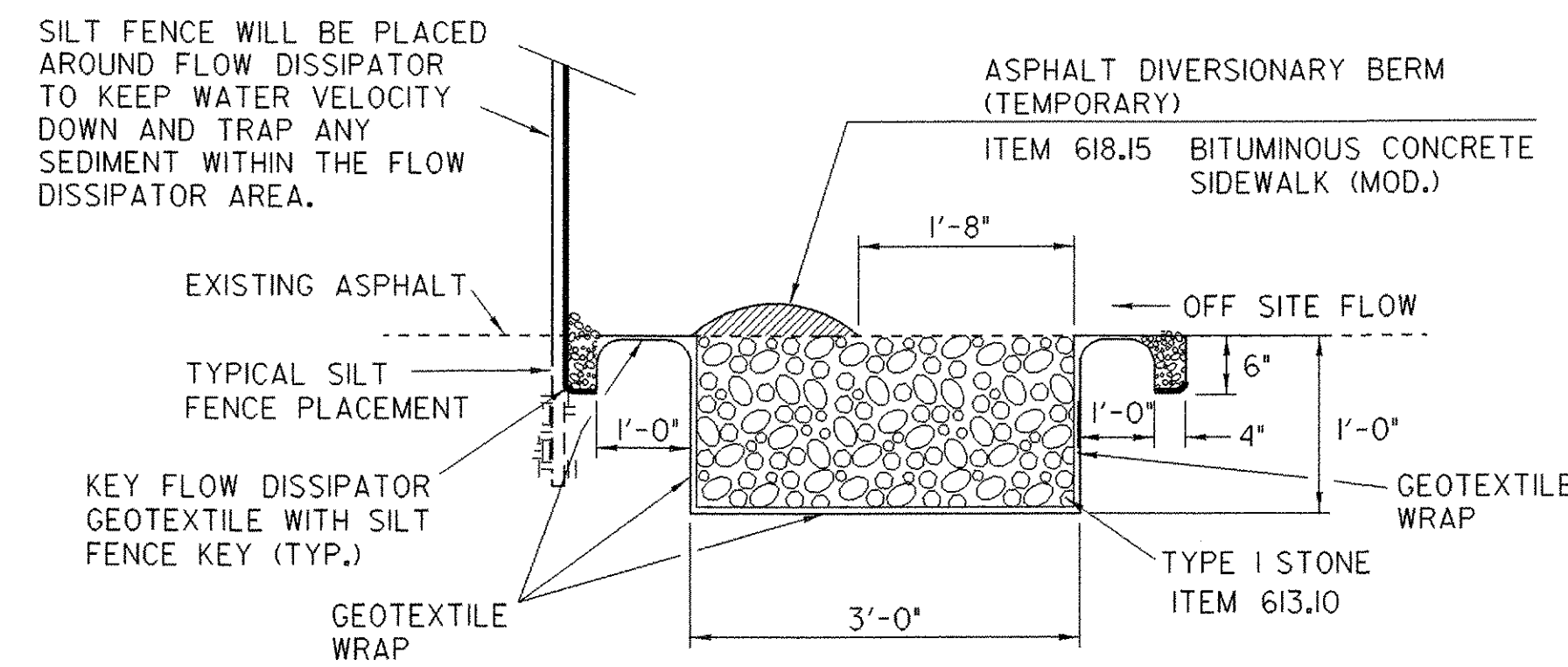
DIVERSIONARY BERM AND FLOW DISSIPATOR SETUP



PLAN VIEW OF FLOW DISSIPATOR



ASPHALT DIVERSIONARY BERM



CROSS SECTION OF FLOW DISSIPATOR

**SEEDING FORMULA  
RURAL AREAS**

% WT.	kg/ha	NAME	PUR %	GERM %
37.5	26.0	CREeping RED FESCUE	98	85
37.5	26.0	TALL FESCUE	95	90
5.0	4.0	RED TOP	95	90
15.0	10.0	BIRDSFOOT TREFOIL	98	85
5.0	4.0	ANNUAL RYE GRASS	95	85
100.0	70.0			

**GENERAL NOTES**

- SEED MIXTURE: SHALL NOT HAVE A WEED CONTENT EXCEEDING 0.40% BY WEIGHT AND SHALL BE FREE OF ALL NOXIOUS SEED.
- SEED: TO BE APPLIED PER SEEDING FORMULAS OR AS DIRECTED BY THE ENGINEER.
- FERTILIZER: FORMULA 10-20-10, TO BE USED WITH SEED, APPLIED AT THE RATE OF 560 kg/ha. (HYDRO SEEDERS MAY USE 19-19-19 FORMULA).
- AGRICULTURAL LIMESTONE: TO BE APPLIED AT THE RATE OF 4500 kg/ha, OR AS DIRECTED BY THE ENGINEER.
- HAY MULCH: TO BE PLACED ON EARTH SLOPES AT THE RATE OF 4500 kg/ha, OR AS DIRECTED BY THE ENGINEER.
- TOPSOIL: TO BE USED WITH SEED AS INDICATED ON THE PLANS, OR AS DIRECTED BY THE ENGINEER.

**NOTES:**

- PAYMENT FOR ASPHALT DIVERSIONARY BERM SHALL BE MADE UNDER ITEM 618.15, BITUMINOUS CONCRETE SIDEWALK (MOD.)
- PAYMENT FOR FLOW DISSIPATOR SHALL BE MADE UNDER ITEMS 613.10, STONE FILL, TYPE I, 649.31, GEOTEXTILE UNDER STONE FILL, AND 649.51, GEOTEXTILE FOR SILT FENCE.

**EROSION PREVENTION &  
SEDIMENT CONTROL DETAILS  
DIVERSIONARY BERM AND FLOW DISSIPATOR**

**EROSION & SEDIMENT CONTROL DETAILS 1**

PROJECT NAME: THETFORD	PLOT DATE: 27-SEP-2006
PROJECT NUMBER: BHO 1444 (43)	DRAWN BY: G.ROKES
FILE NAME: Structures\s03j036ero.dgn	DESIGNED BY: M. EVANS-MONGEON
PROJECT LEADER: M. EVANS-MONGEON	CHECKED BY: S. SCRIBNER
IPARM: s03j036ecd.1	SHEET 24 OF 60

NOTE: ALL EROSION DETAILS NOT TO SCALE