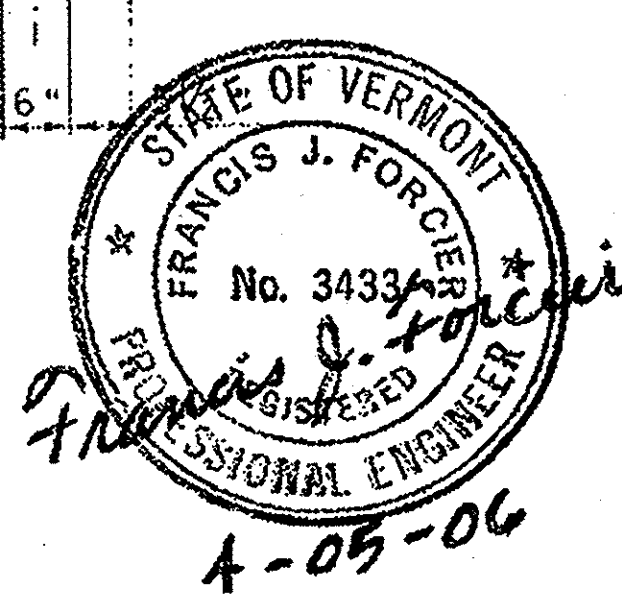
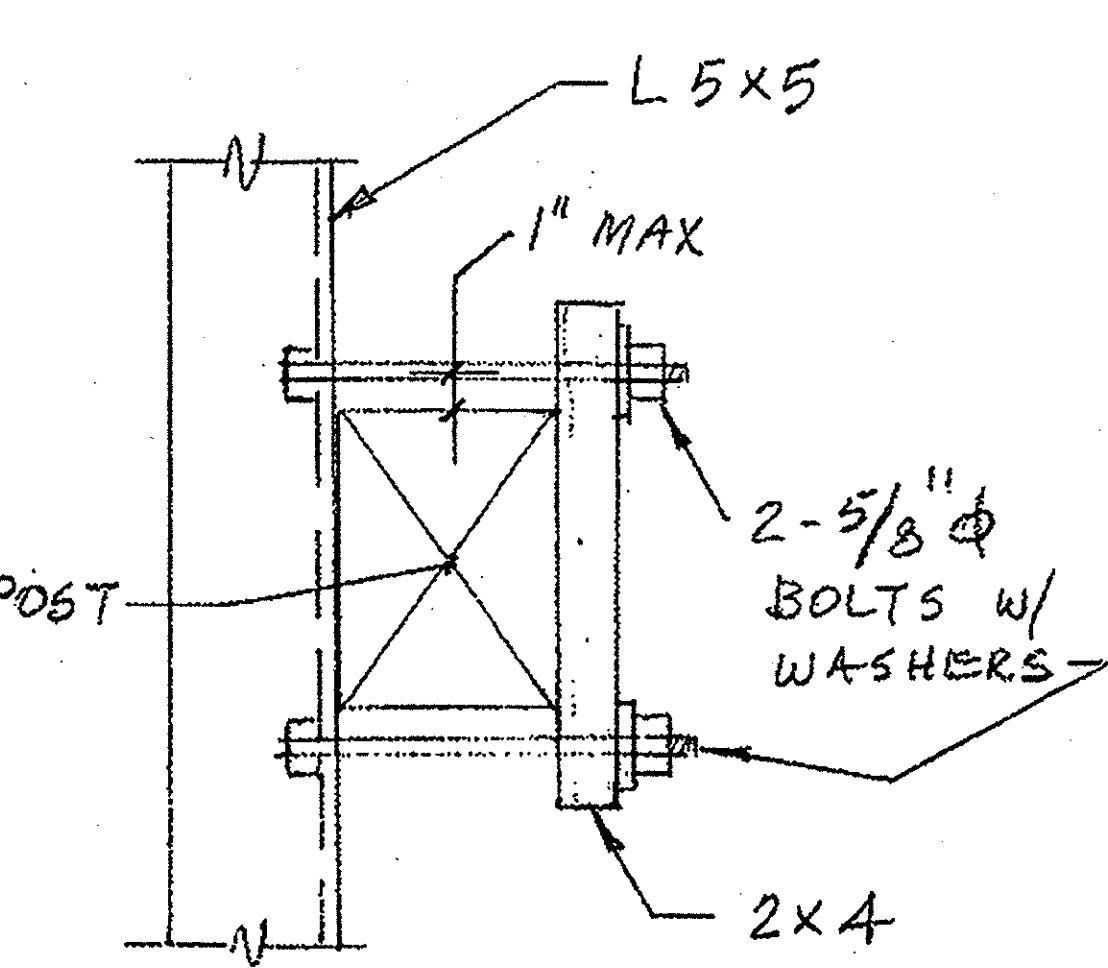
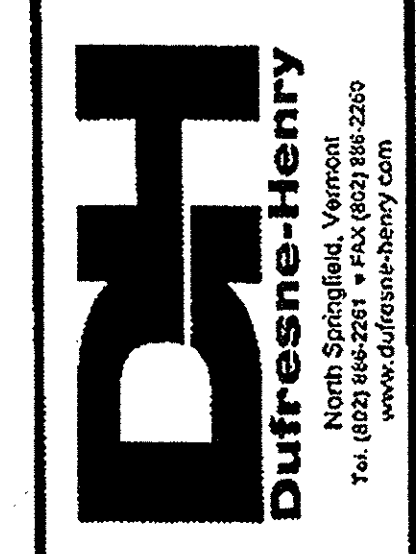


DET. A
 1/2-13 SHOULDER EYE BOLT (MINI)
 7/16" - 10 STRAND CABLE AT 1/4 POINTS. INSTALL SNUG.



TYPICAL SECTION
 SCALE 3/4" = 1'-0"

RECEIVED
 CK'D BY _____ OK'D BY _____
 APR 12 2006
 RESUBMIT _____ APPROVED _____
 BY _____ DATE _____



Date	By	Description	Rev.

VERMONT
 CILLEY COVERED BRIDGE
 TEMPORARY SUPPORT SYSTEMS
 TUNBRIDGE

Project No. 205828	Prof. Manager F.J. FORCIER	Prof. Designer F.J. FORCIER	Drawn By F.J.F.	Checked By AS SHOWN	Scale	Approved	Date MARCH 2006
Sheet of							S3
B							