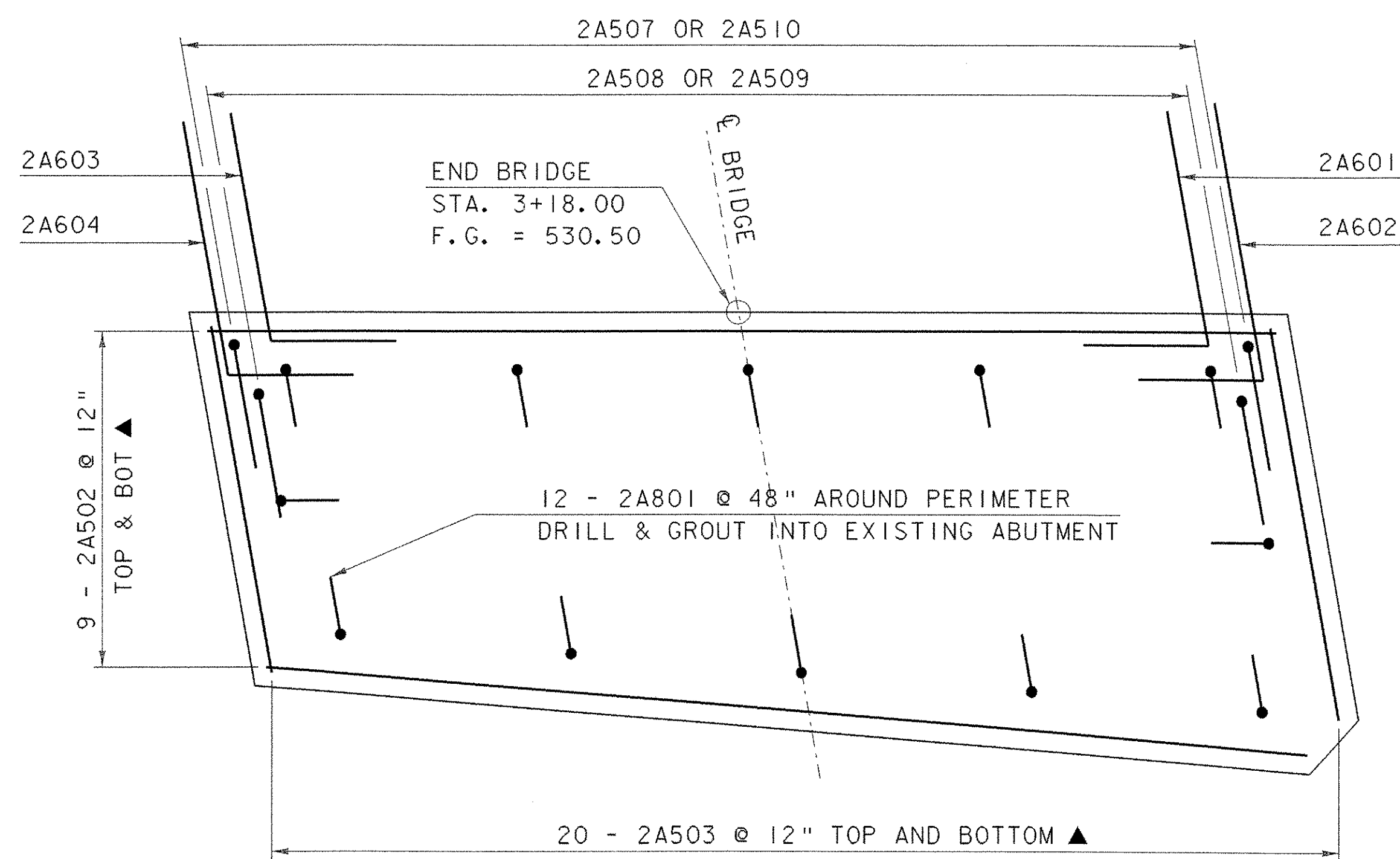
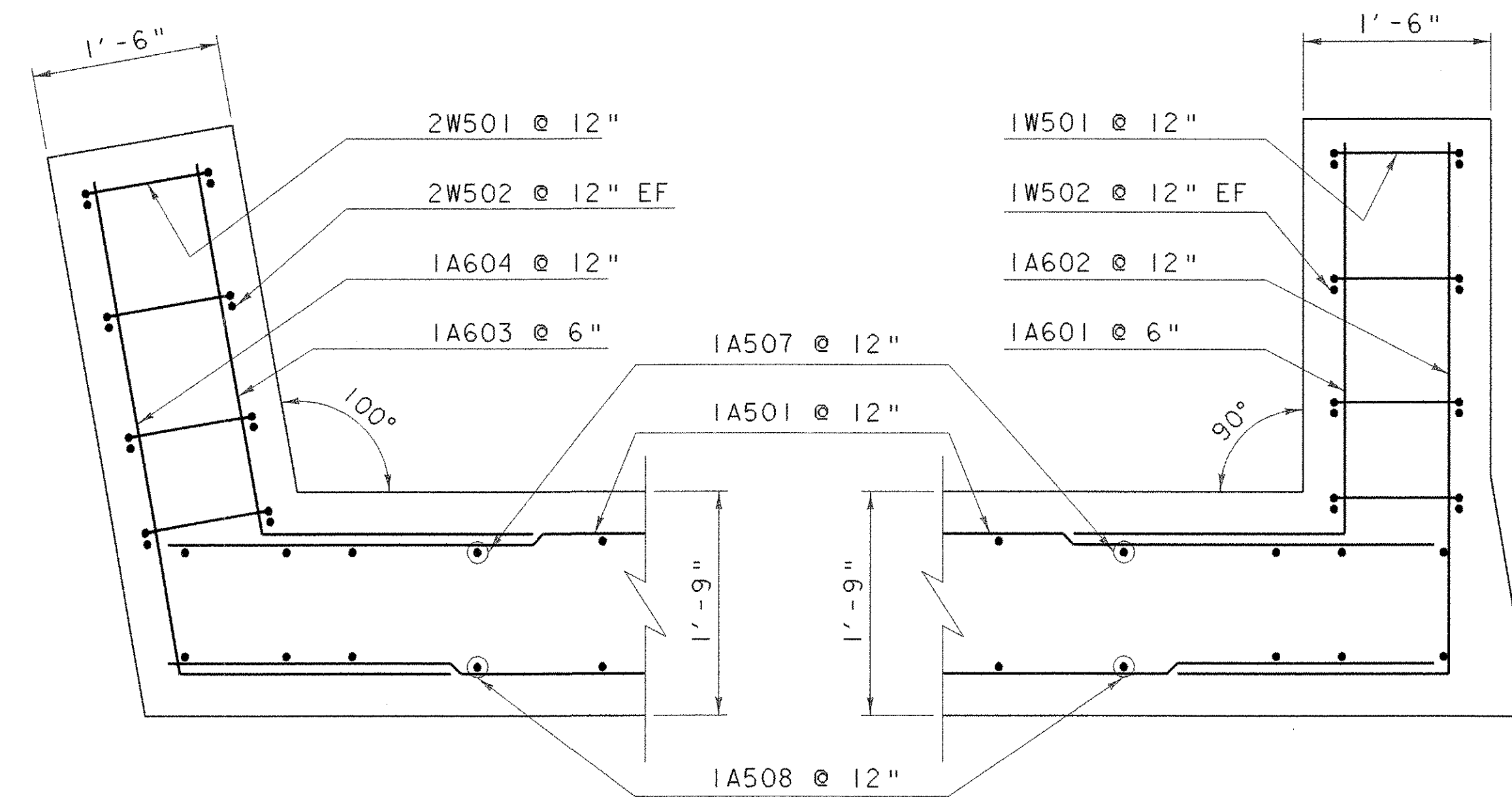


BRIDGE SEAT #1 PLAN
SCALE 1/2" = 1'-0"

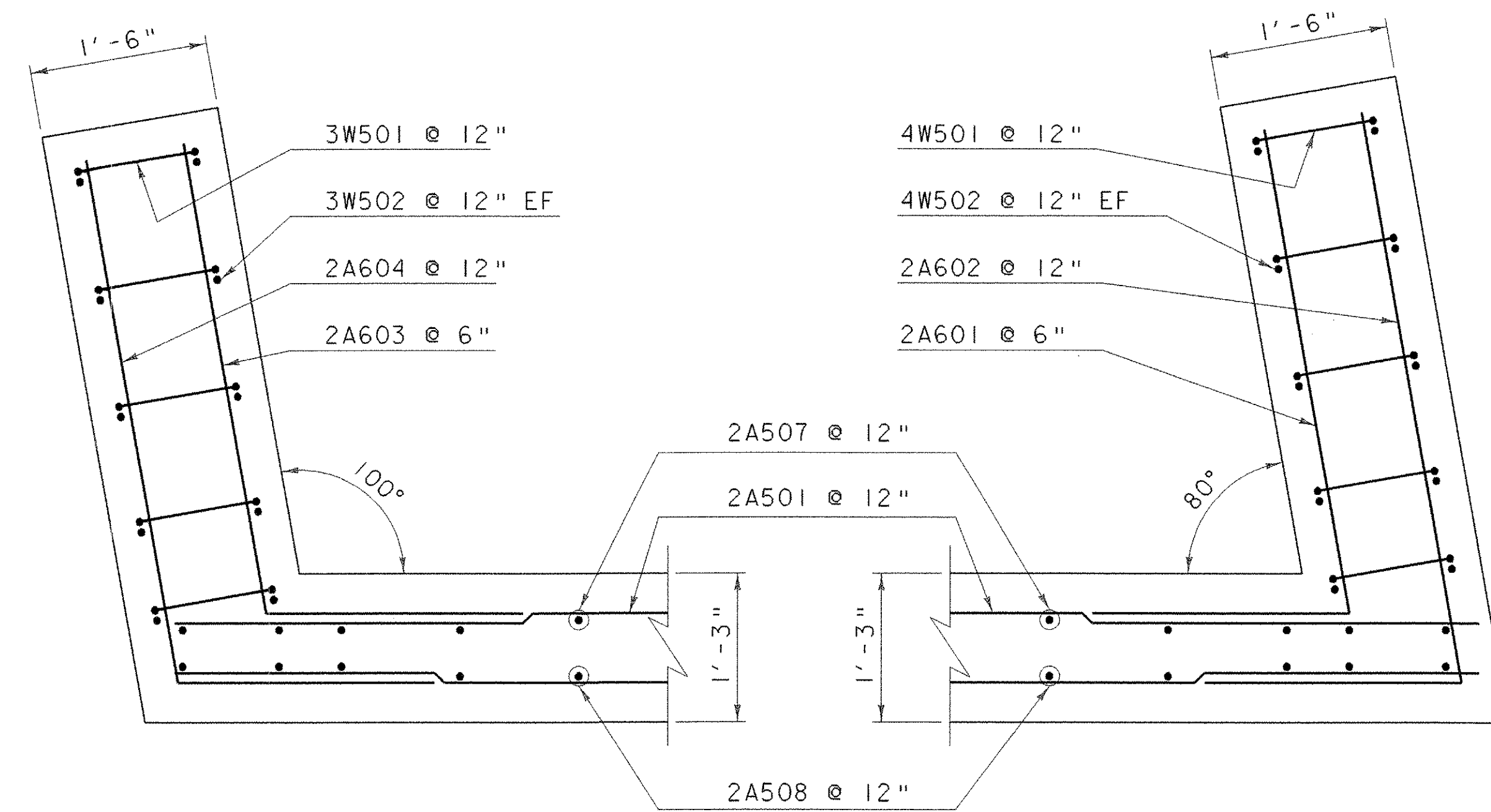


BRIDGE SEAT #2 PLAN
SCALE 1/2" = 1'-0"



CORNER DETAIL WW#2*
SCALE: 1" = 1'-0"

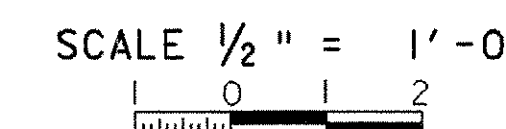
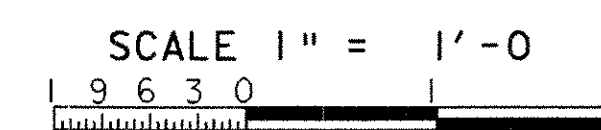
CORNER DETAIL WW#1*
SCALE: 1" = 1'-0"



CORNER DETAIL WW#3*
SCALE: 1" = 1'-0"

CORNER DETAIL WW#4*
SCALE: 1" = 1'-0"

* DETAIL ABOVE BRIDGE SEAT



NOTE:

NF = NEAR FACE
FF = FAR FACE
EF = EACH FACE
▲ = CUT TO FIT IN FIELD
3" CLR. UNLESS OTHERWISE SPECIFIED ON THE PLANS.

PROJECT: TUNBRIDGE	PROJECT NO.: 1444 (42)
DESIGN FILE NAME: s03j032/structures/s03j032sub.dgn	PLOT DATE: 25-AUG-2005
IPARM FILE NAME: s03j032seatp1.i	DESIGNED BY: M. LONGSTREET
DESIGNED BY: M. GAGULIC	CHECKED BY: R. S. YOUNG
SQUAD LEADER:	
BRIDGE SEAT PLANS & MISC.	SHEET: 21 OF 40