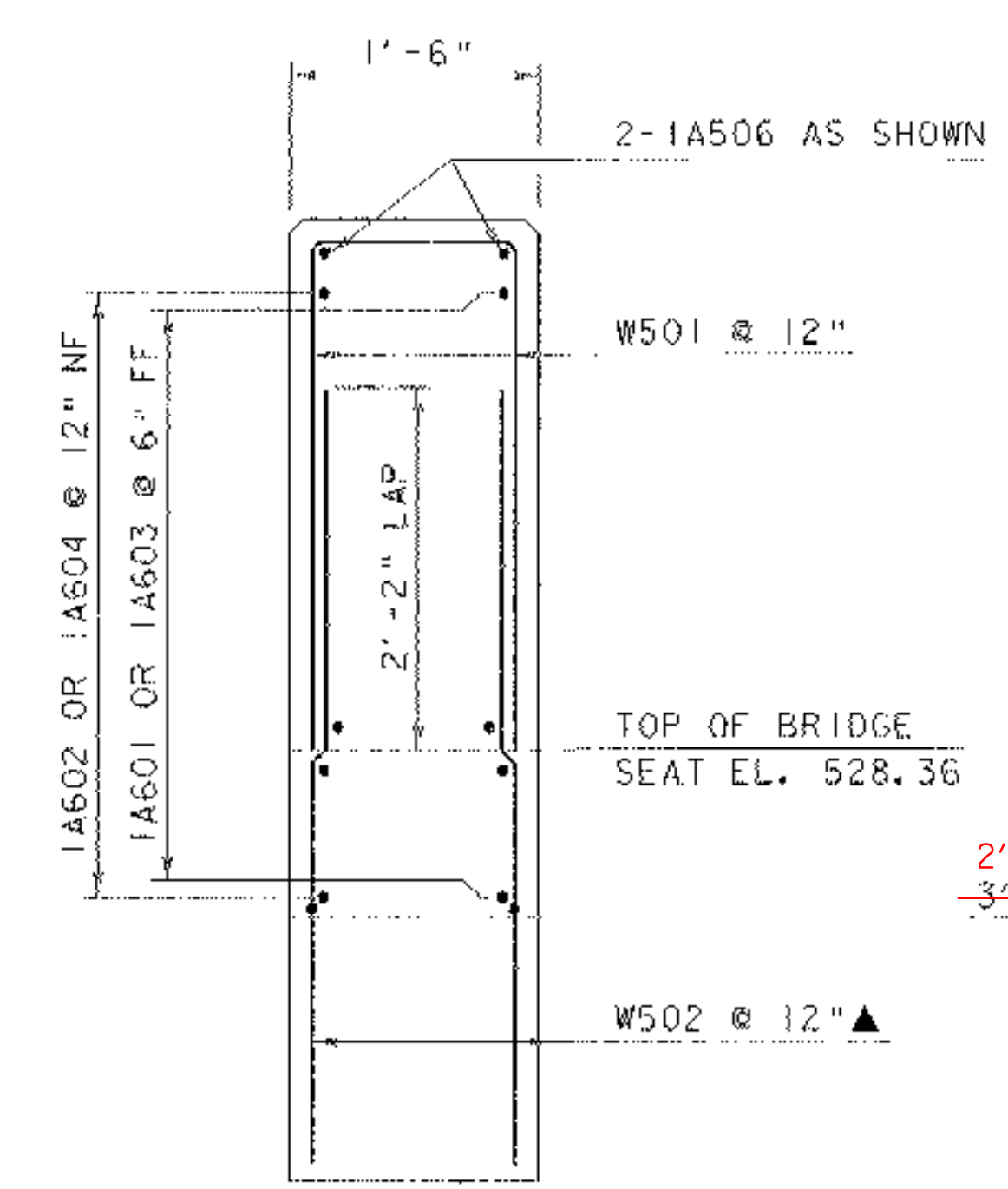
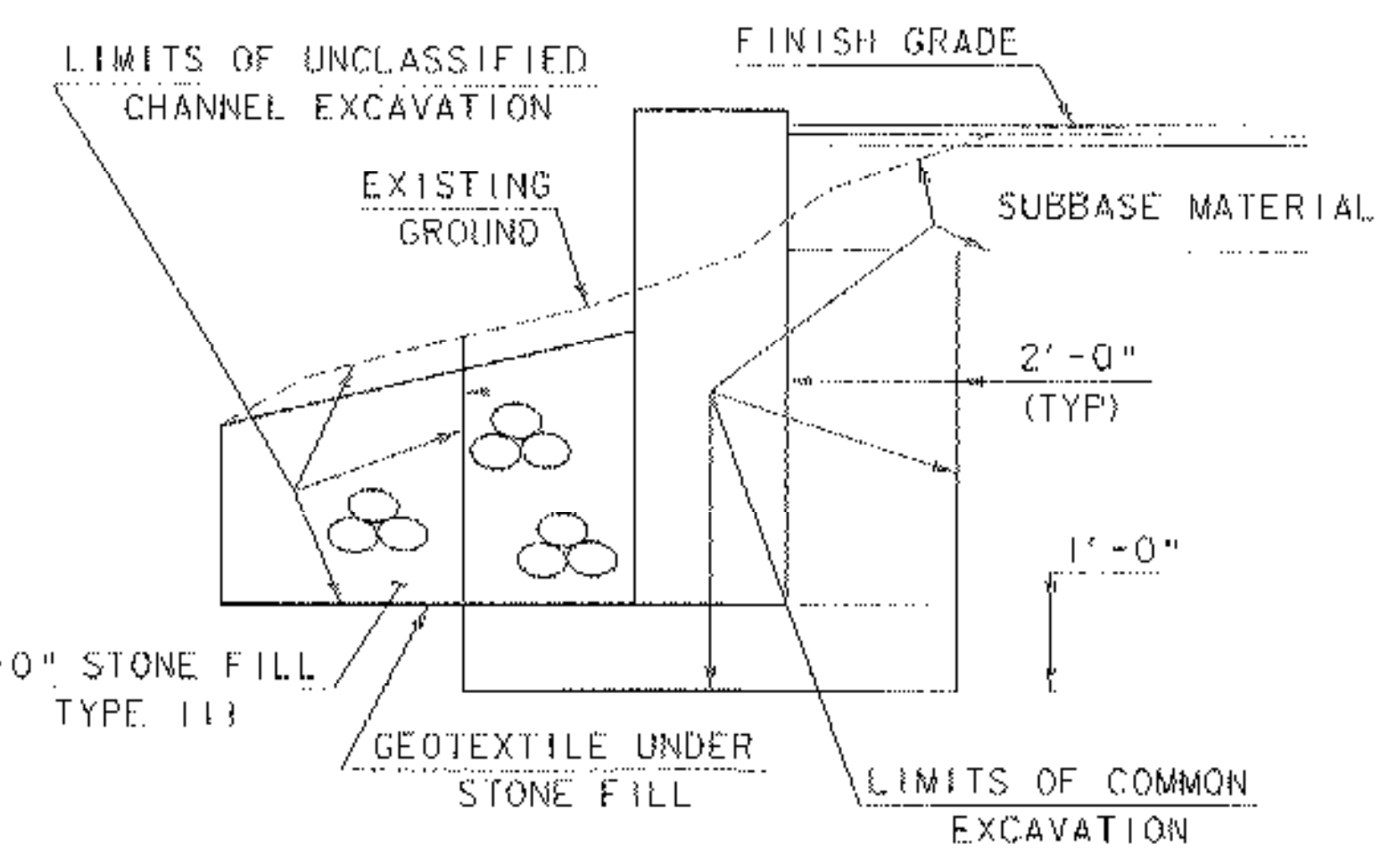


WINGWALL #2
SCALE: 1" = 1'-0"

WINGWALL #1
SCALE: 1" = 1'-0"



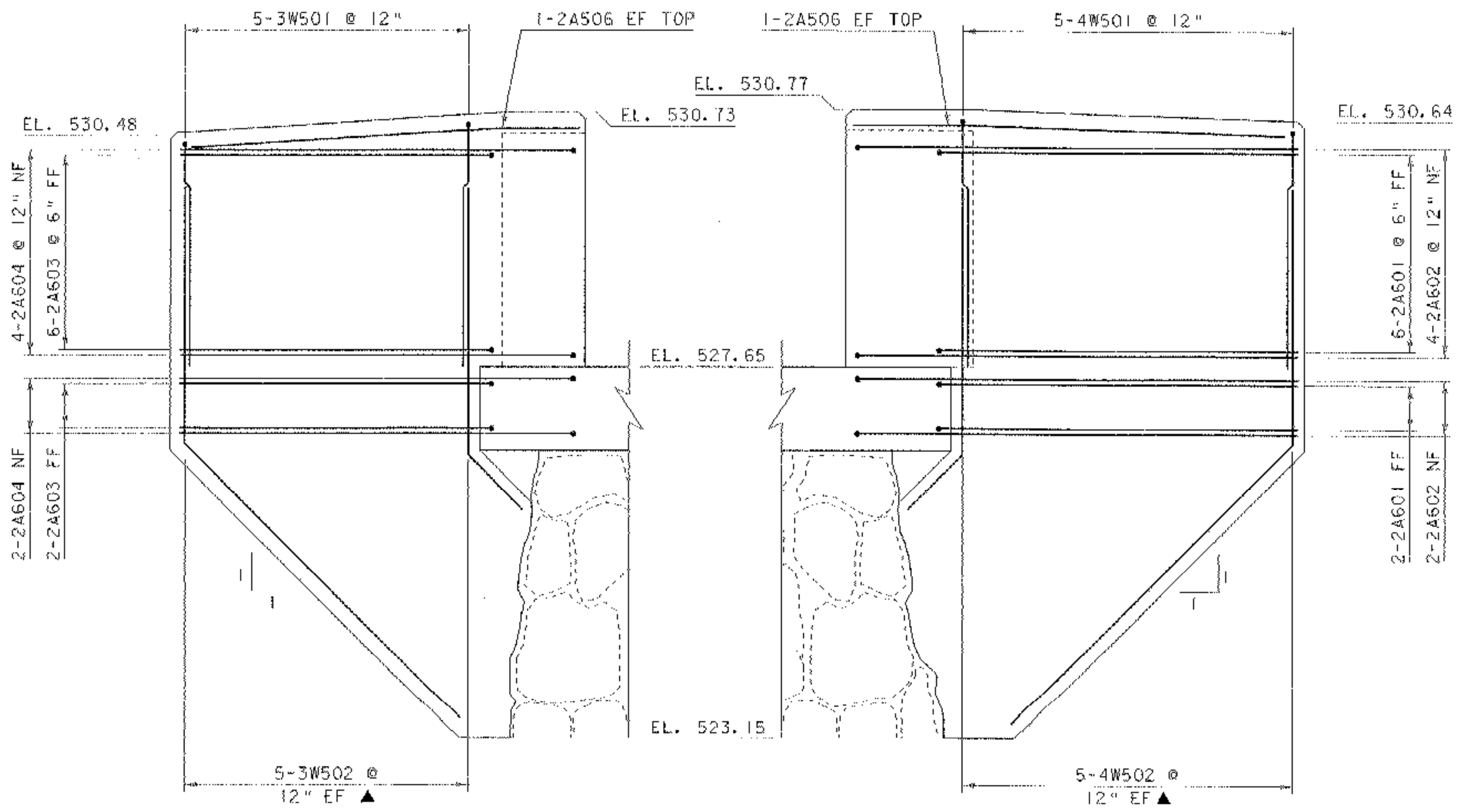
TYPICAL SECTION WW #1 & #2
SCALE: 1" = 1'-0"



WINGWALL EARTHWORK SECTION
(NOT TO SCALE)

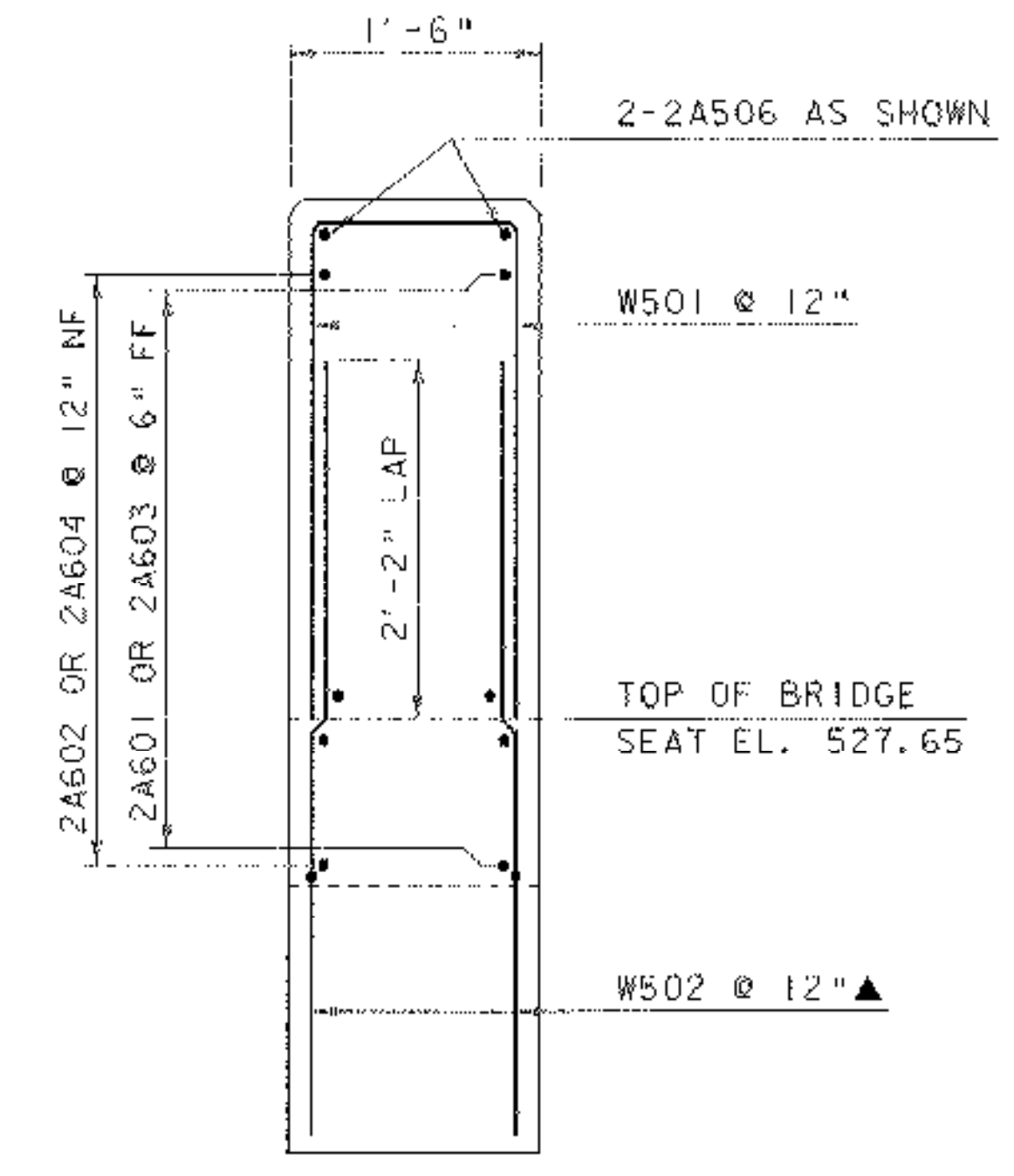
NOTES

- ACTUAL EXCAVATION LIMITS TO BE DETERMINED BY THE CONTRACTOR.
- THE PAY LIMITS OF COMMON EXCAVATION SHALL INCLUDE 2'-0" OUTSIDE THE PERIMETER OF THE WINGWALL AS SHOWN.
- ONE FOOT UNDERCUT AS DETERMINED NECESSARY BY THE RESIDENT ENGINEER.



WINGWALL #3
SCALE: 1" = 1'-0"

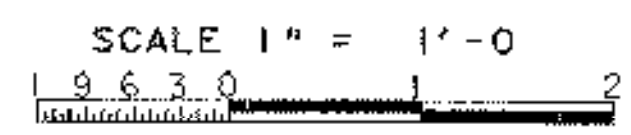
WINGWALL #4
SCALE: 1" = 1'-0"



TYPICAL SECTION WW #3 & #4
SCALE: 1" = 1'-0"

NOTE:

- NF = NEAR FACE
- FF = FAR FACE
- EF = EACH FACE
- ▲ = CUT TO FIT IN FIELD
- 3" CLR. UNLESS OTHERWISE SPECIFIED ON THE PLANS.



PROJECT: TUNBRIDGE	PROJECT NO. #: BHO 1444 (42)
DESIGN FILE NAME: s03j032/structures/s03jo32sub.dgn	PLOT DATE: 25-AUG-2005
IPARM FILE NAME: s03j032ww1234.1	DRAWN BY: M. GAGULIC
DESIGNED BY: M. GAGULIC	CHECKED BY: R. S. YOUNG
SQUAD LEADER: C. P. WILLIAMS	SHEET: 20 OF 40
WINGWALL #1, #2, #3 & #4	