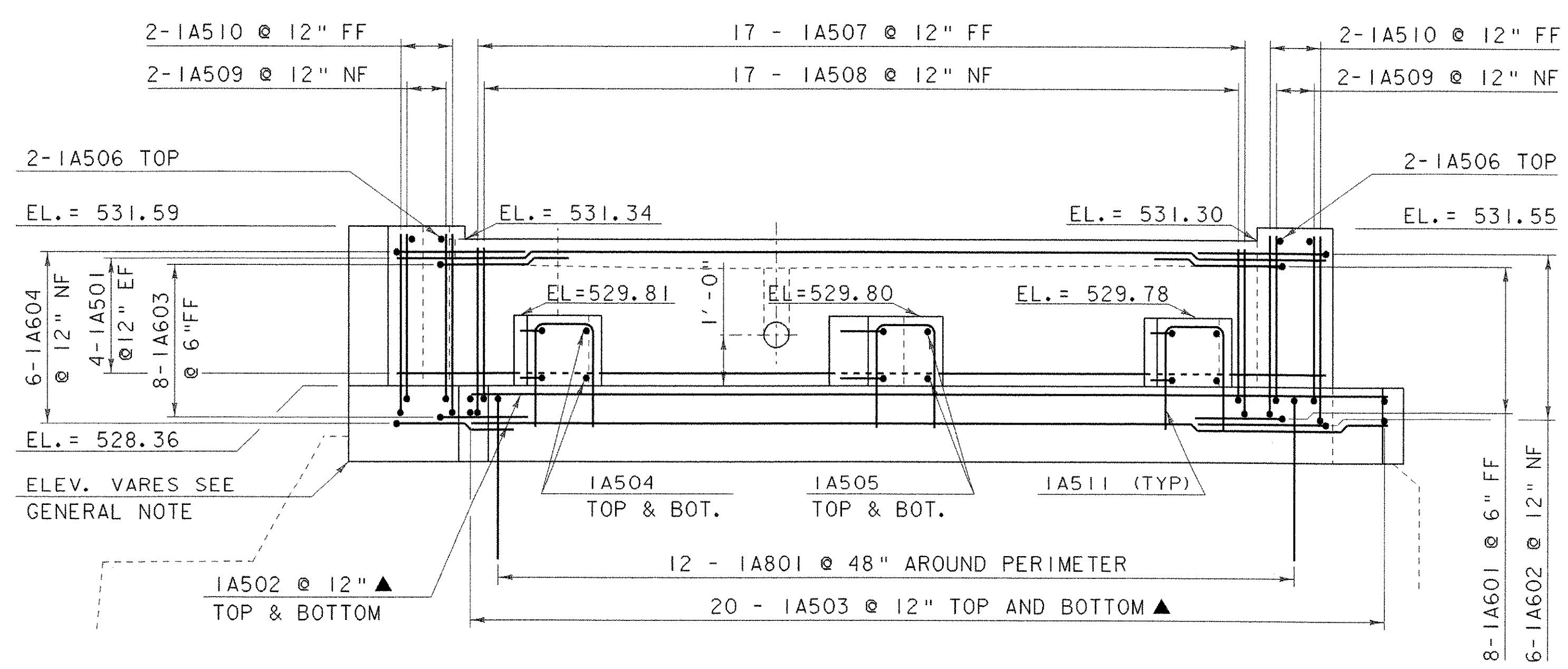
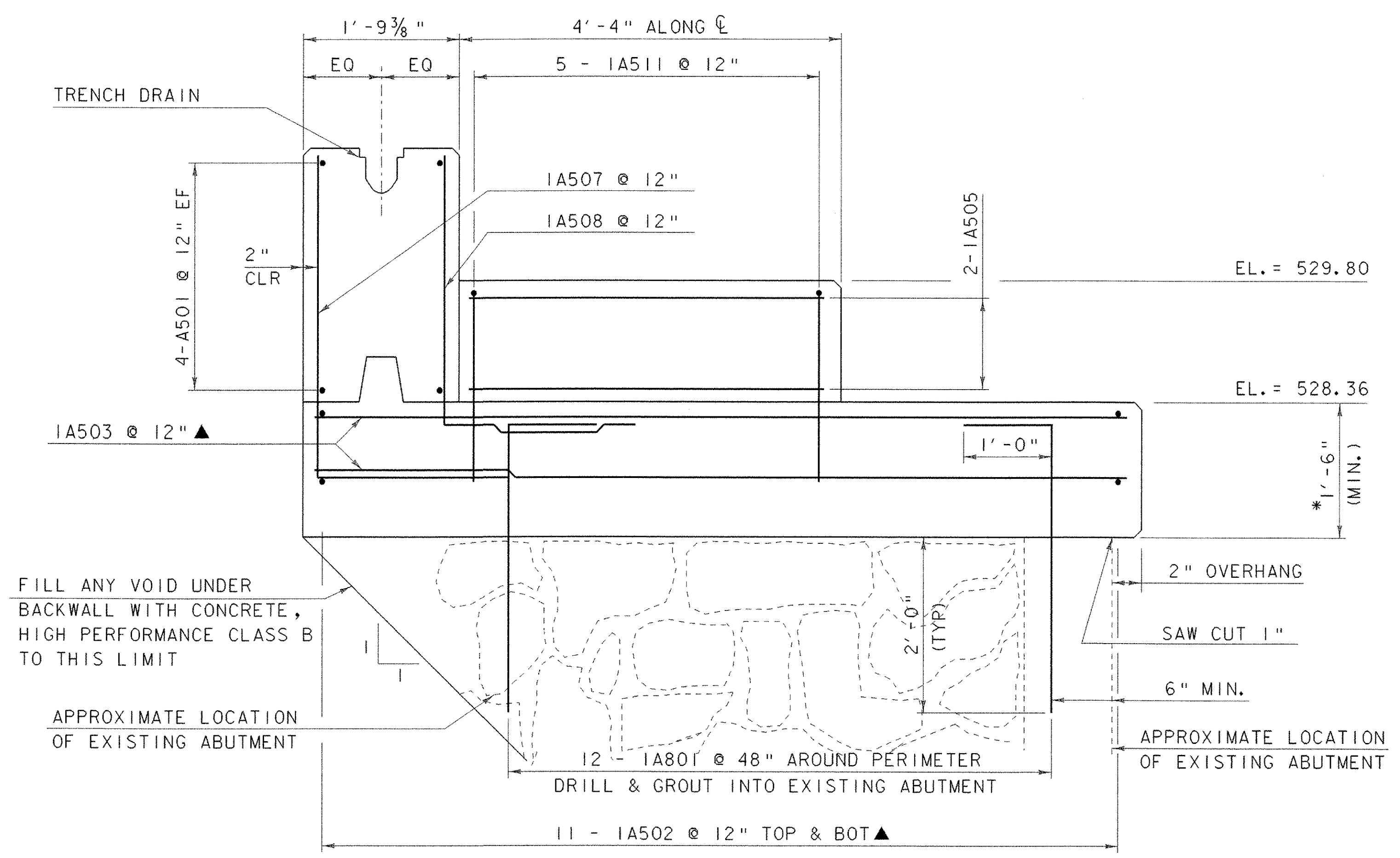


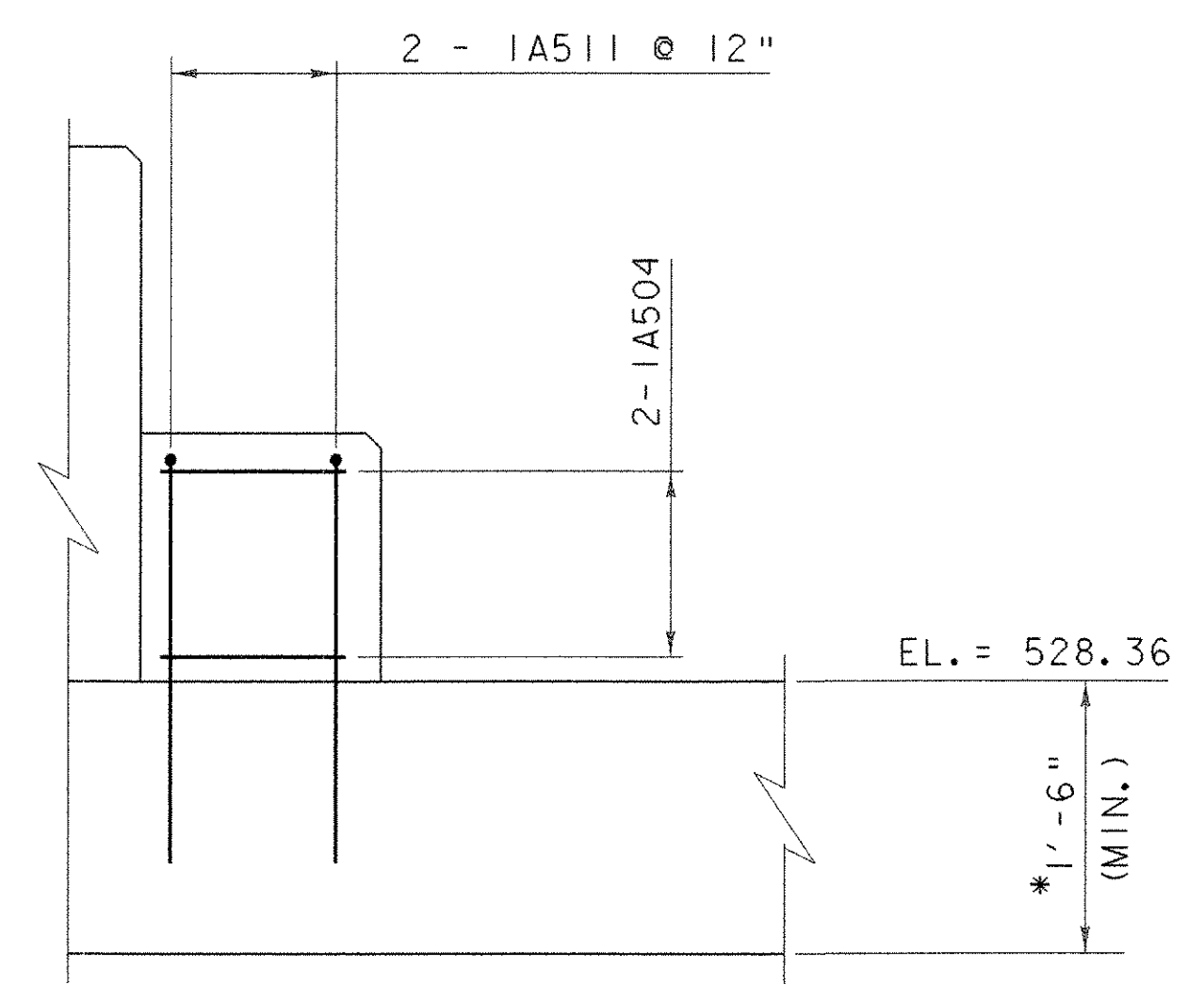
ABUTMENT #1 PLAN
SCALE 1/2" = 1'-0"



ABUTMENT #1 ELEVATION
SCALE 1/2" = 1'-0"



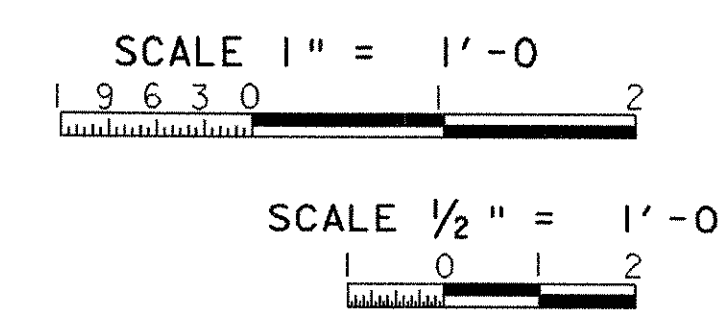
SECTION A-A
SCALE: 1" = 1'-0"



SECTION B-B
SCALE: 1" = 1'-0"

* CONCRETE OR STONE SHALL BE REMOVED A MINIMUM 1'-6" BELOW THE BRIDGE SEAT ELEVATION ANY CONCRETE OR STONE REMOVED BELOW 1'-6" SHALL BE REPLACED WITH CONCRETE, HIGH PERFORMANCE CLASS B, AND SHALL BE FLUSH WITH THE EXISTING ABUTMENT PERIMETER. ALL NEW CONCRETE ABOVE 1'-6" SHALL HAVE MINIMUM 2" OVERHANG.

NOTE:
NF = NEAR FACE
FF = FAR FACE
EF = EACH FACE
▲ = CUT TO FIT IN FIELD
3" CLR. UNLESS OTHERWISE SPECIFIED ON THE PLANS.



PROJECT: TUNBRIDGE	PROJECT NO.: BHO 1444 (42)
DESIGN FILE NAME: s03j032/structures/s03j032sub.dgn	PLOT DATE: 25-AUG-2005
IPARM FILE NAME: s03j032abt.1	DRAWN BY: M. GAGULIC
DESIGNED BY: M. GAGULIC	CHECKED BY: R. S. YOUNG
SQUAD LEADER: C. P. WILLIAMS	SHEET: 18 OF 40
ABUTMENT # 1	