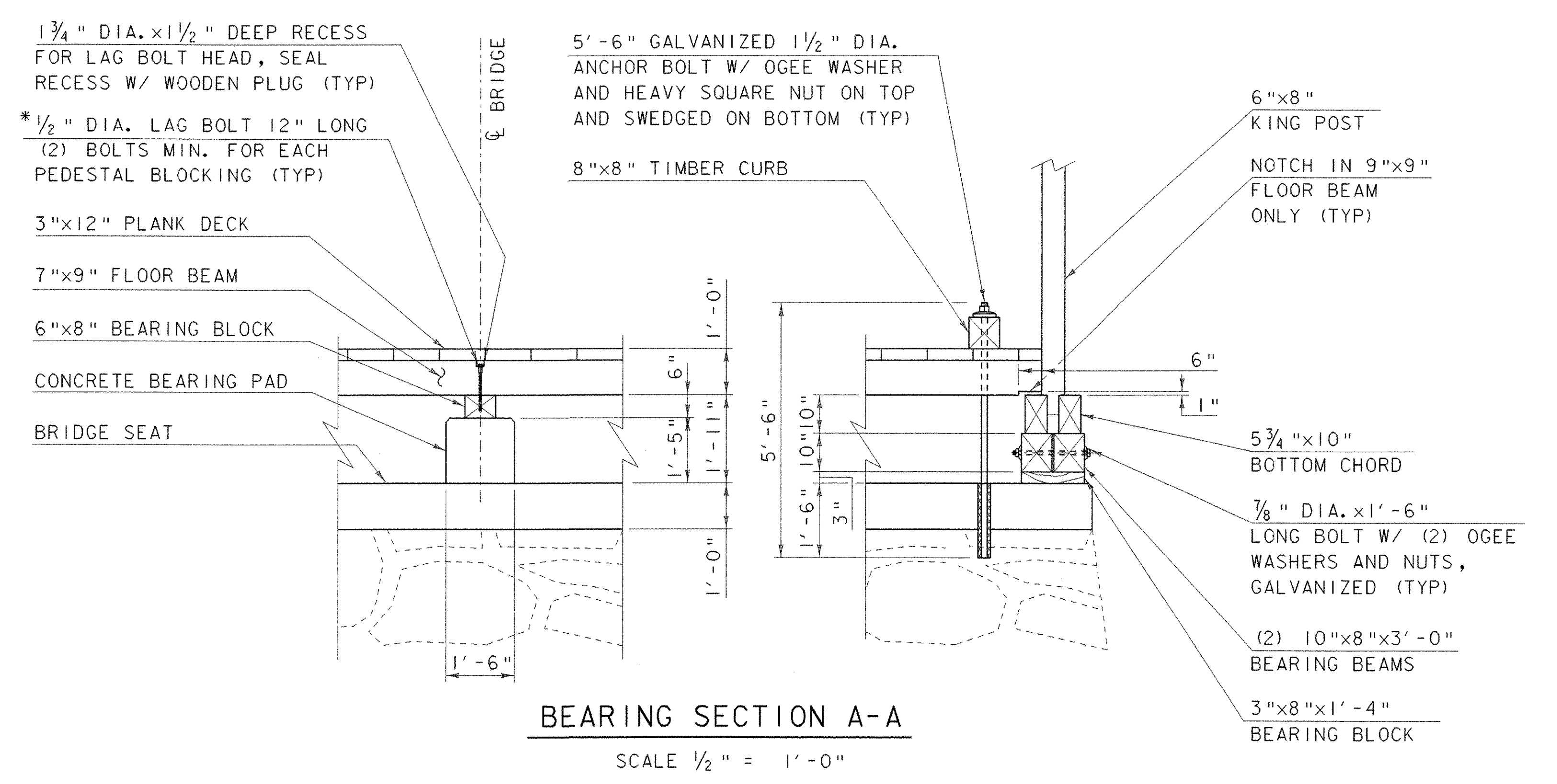


BEARING LAYOUT PLAN
SCALE 1/2" = 1'-0"

NOTES: 1. TRUSS AND FLOOR BEAMS (ABOVE) SHOWN DASHED FOR CLARITY.
2. ABUTMENT NO. 1 SHOWN. ABUTMENT NO. 2 SIMILAR.

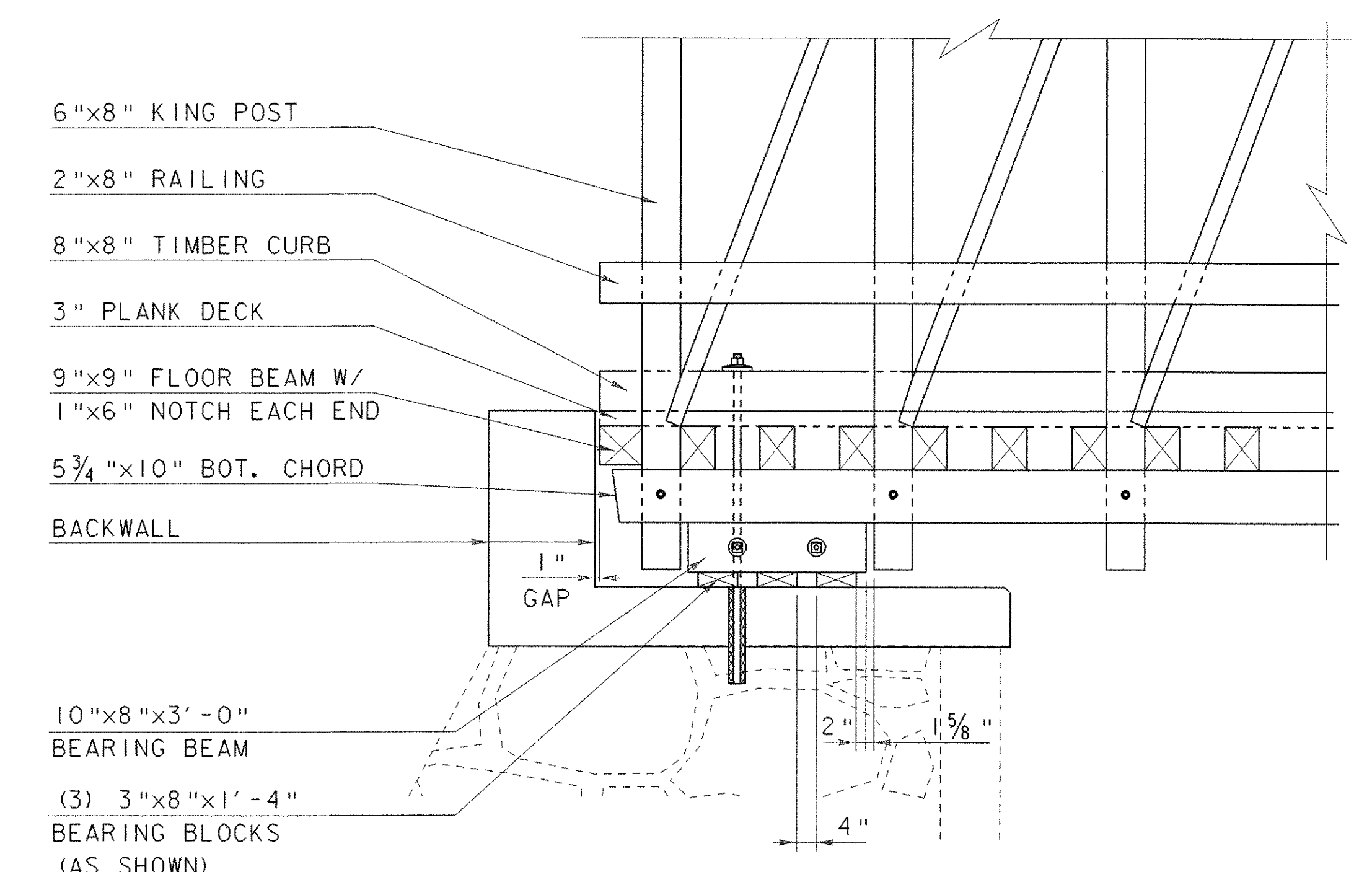
BEARING NOTES

1. THE BEARING BLOCK SIZES GIVEN ARE APPROXIMATE AND SHALL BE PROVIDED SUCH THAT THE FINISHED GRADE CAN BE ACHIEVED. THE BEARING BLOCKS MAY HAVE TO BE SLIGHTLY THICKER, THINNER, OR TAPERED TO FIT THE FINAL SUPERSTRUCTURE DEPTH AND CAMBER. THE BEARING BEAM SHALL FIT TIGHT TO THE BOTTOM CHORD.
2. THE BEARING BEAM AND BLOCKS SHALL BE ROUGH, FULL-SAWN SOUTHERN YELLOW PINE NO. 1 GRADE. THESE MEMBERS SHALL BE PRESSURE TREATED WITH A TYPE III (PENTACHLOROPHENOL W/ LIGHT OIL) PRESERVATIVE PER SUPPLEMENTAL SPECIFICATION SECTION 726.
3. THE BEARING BEAM, BEARING BLOCKS, ANCHOR BOLTS, AND ALL OTHER RELATED HARDWARE SHALL BE PAID UNDER THE ITEM 531.10 "BEARING DEVICE ASSEMBLY (MOD)". THIS ITEM SHALL BE FULL COMPENSATION FOR FURNISHING AND INSTALLING THE BEARING BLOCKS, BEARING BEAMS, AND DRILLING AND GROUTING ANCHOR BOLTS AT EACH END OF THE BRIDGE. THE BEARING BLOCKS ON TOP OF THE CONCRETE BEARING PADS SHALL BE INCIDENTAL TO ITEM 531.10 "BEARING DEVICE ASSEMBLY (MOD.)"
4. THE ANCHOR BOLTS SHALL BE DRILLED AND GROUTED AS SHOWN ON THE PLANS AFTER THE BRIDGE HAS BEEN SET AT THE FINAL LOCATION. AN ALTERNATIVE ANCHORING DETAIL MAY BE SUBMITTED TO THE PROJECT MANAGER FOR APPROVAL.
5. THE ANCHOR BOLTS SHALL MEET THE REQUIREMENTS OF A 307 GR. C AND SHALL BE GALVANIZED PER AASHTO M 232 AND SHALL BE PROVIDED PER SECTION 714.08 OF THE VAOT STANDARD SPECIFICATIONS FOR CONSTRUCTION.



BEARING SECTION A-A
SCALE 1/2" = 1'-0"

*A 1/4" DIA. PILOT HOLE SHALL BE DRILLED FOR THE THREADED PORTION OF THE BOLT. THE HOLE FOR THE UNTHREADED PORTION SHALL BE EQUAL TO THE SHANK DIAMETER.



END BRIDGE BEARING DETAIL
SCALE 1/2" = 1'-0"
ABUT. No. 1 SHOWN, ABUT. No. 2 SIMILAR

PROJECT: TUNBRIDGE	PROJECT NO. : BHO 1444 (42)
DESIGN FILE NAME: 03j032\structures\s03j032bearing.dgn IPARM FILE NAME: s03j032bearing.i	PLOT DATE: 25-AUG-2005
DESIGNED BY: R. S. YOUNG SQUAD LEADER: C. P. WILLIAMS	DRAWN BY: E. L. RUSTAY CHECKED BY: R. S. YOUNG
END BRIDGE DETAILS	SHEET: 17 OF 40