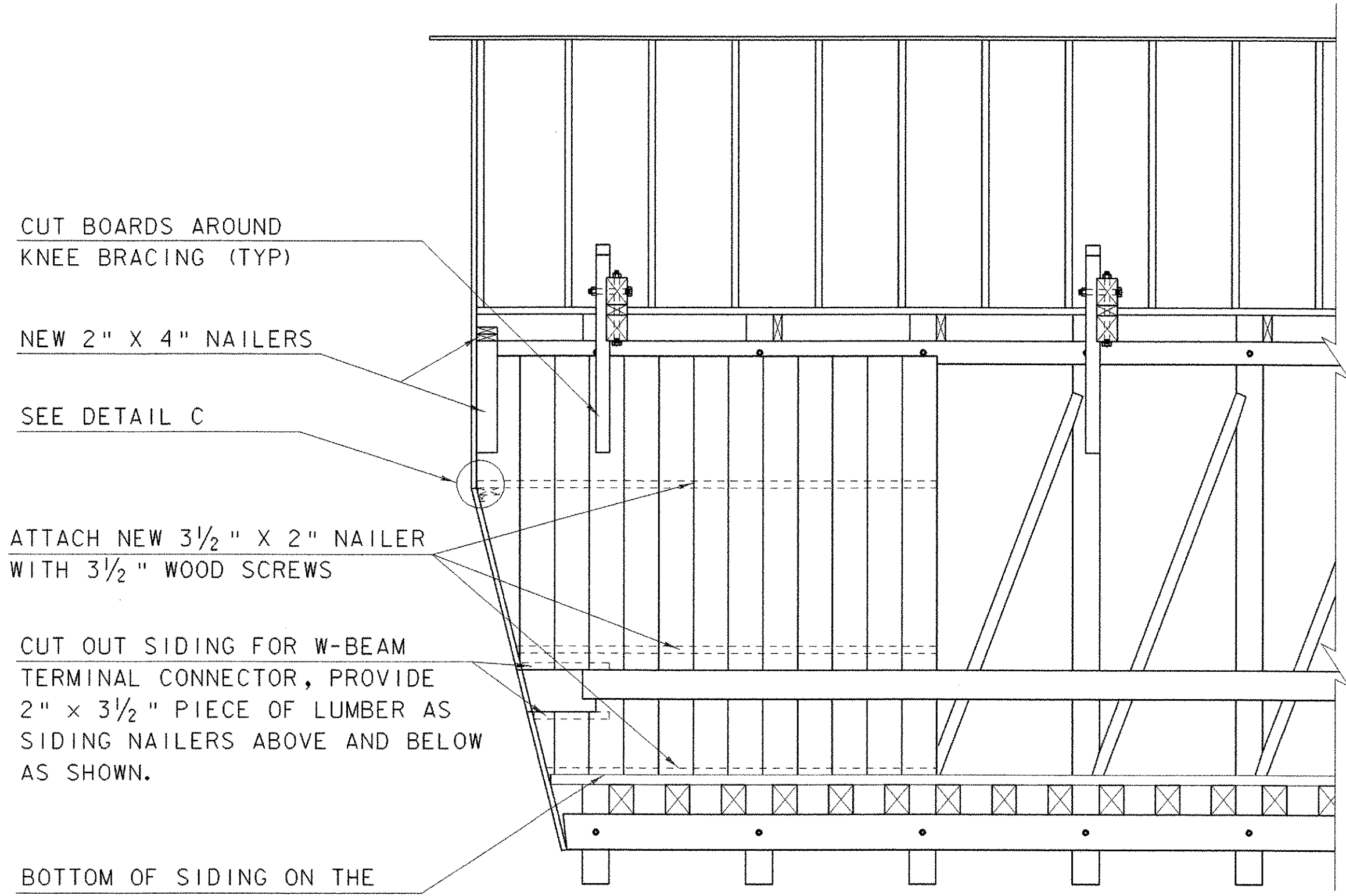
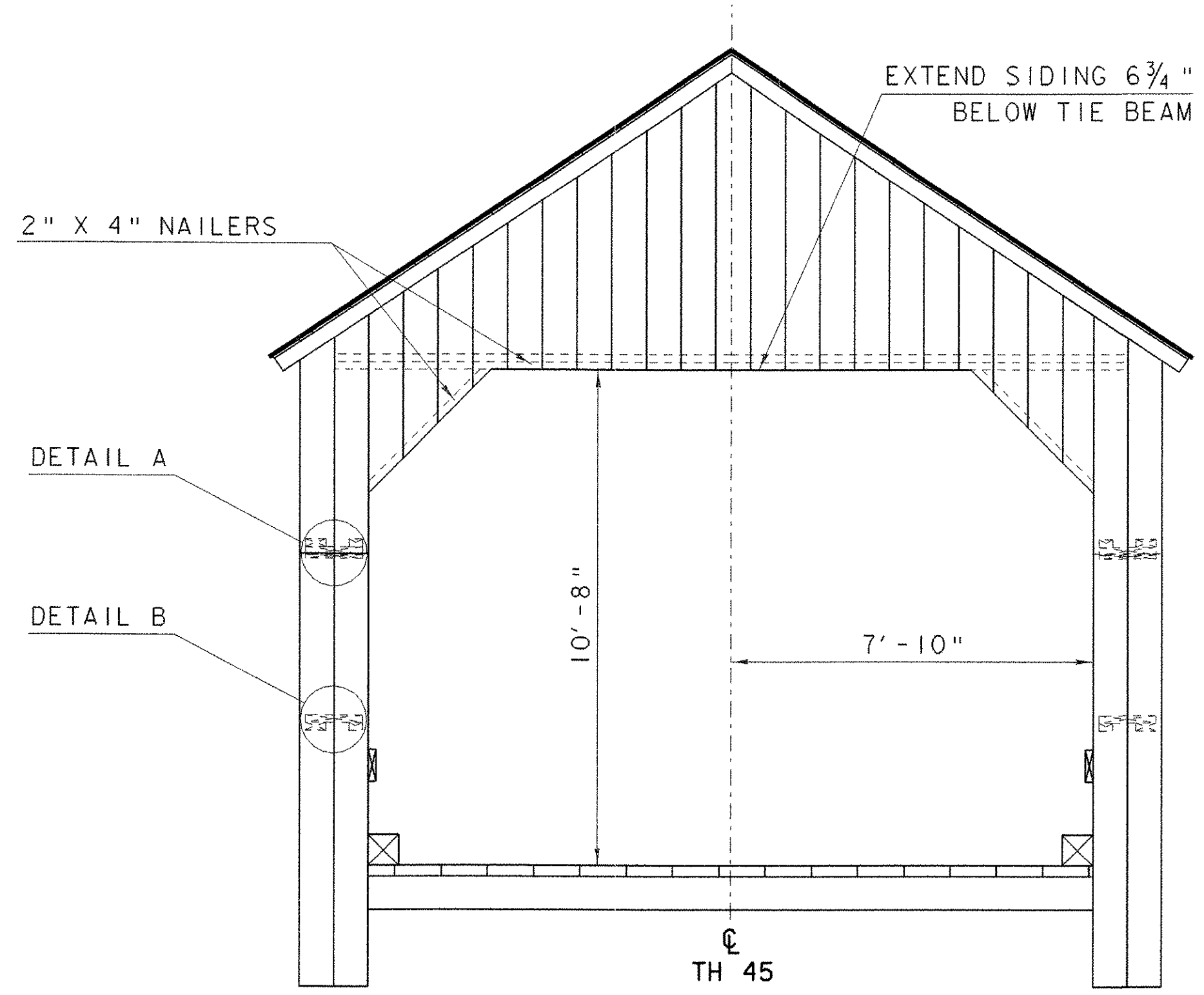


OUTSIDE ELEVATION VIEW
 SCALE: 3/8" = 1'-0"



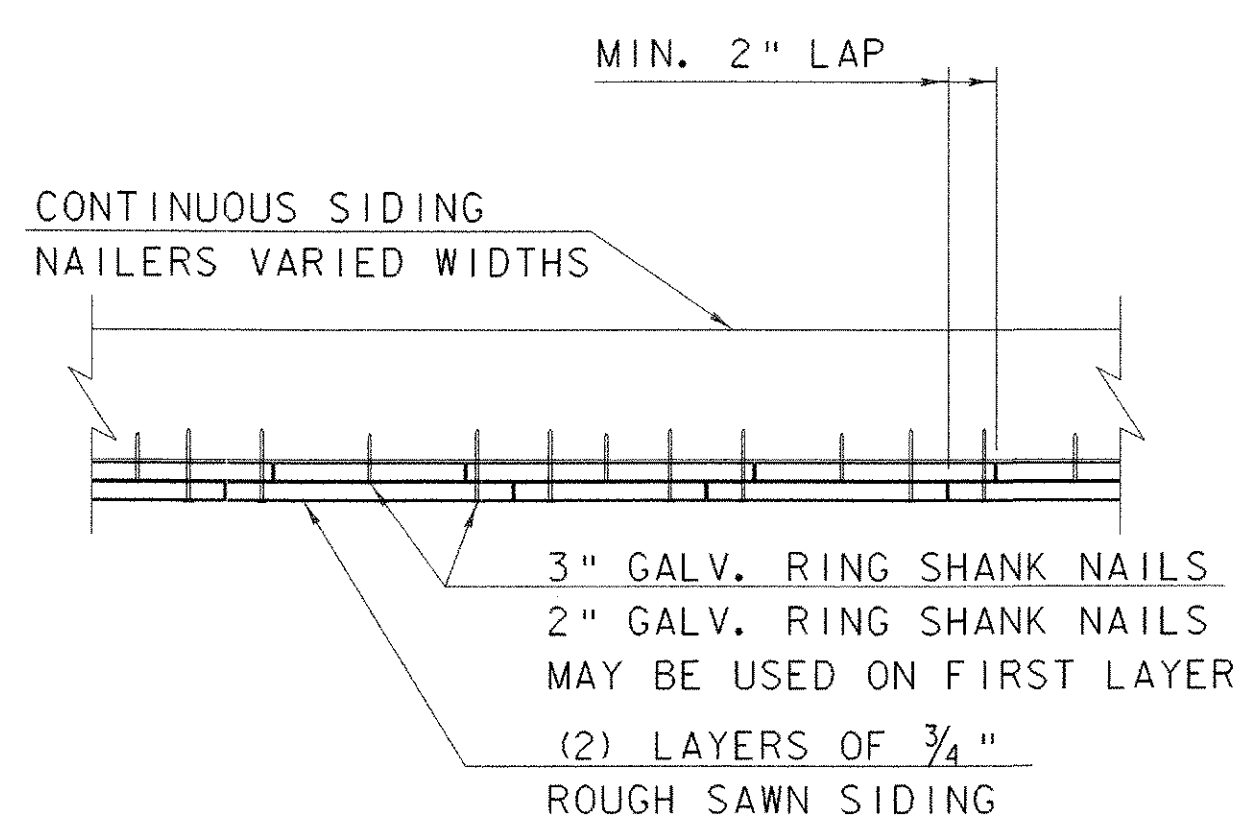
TYPICAL INSIDE ELEVATION VIEW
 SCALE: 3/8" = 1'-0"



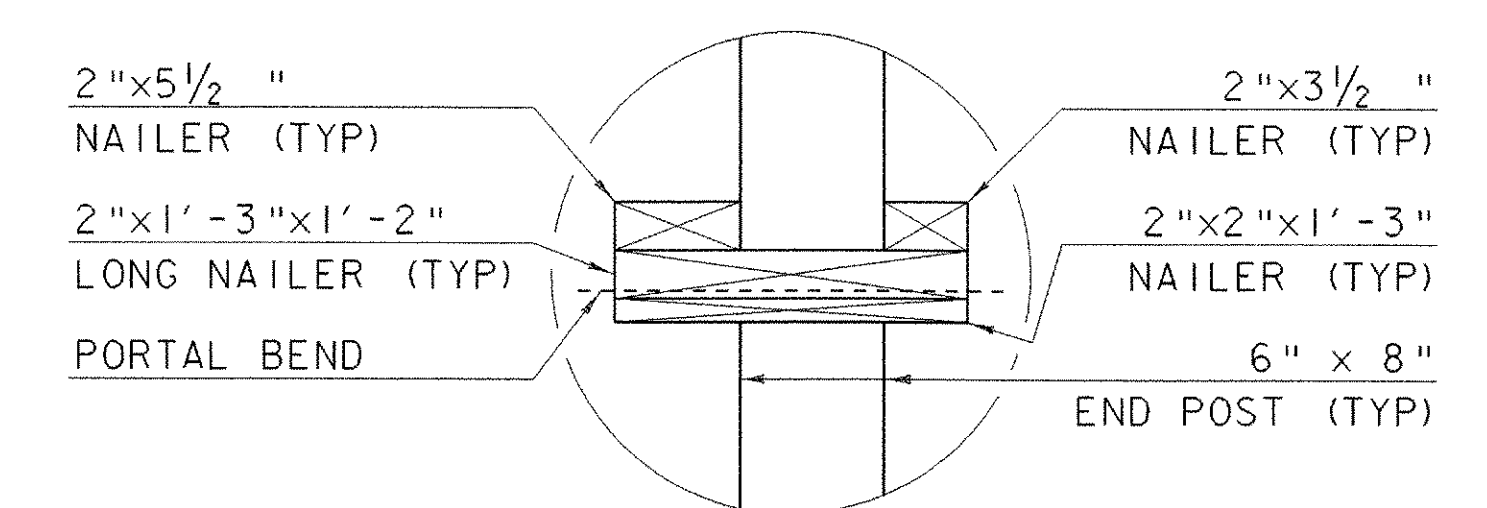
END ELEVATION VIEW OF SIDING
 SCALE: 3/8" = 1'-0"

NOTES:

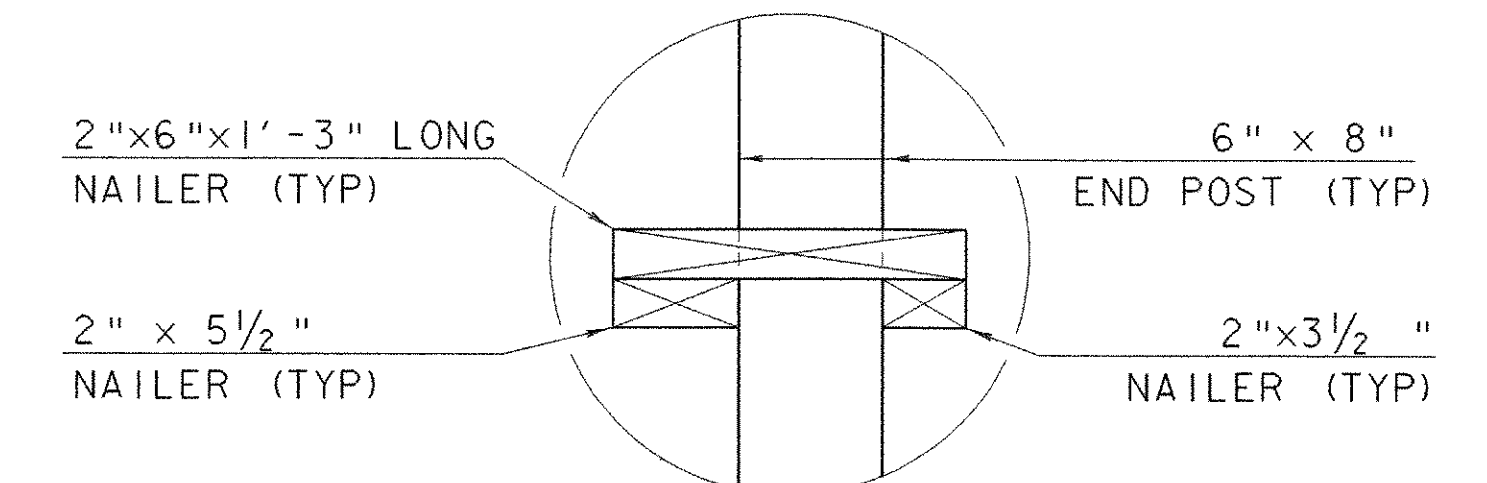
1. SIDING SHALL BE 3/4" THICK ROUGH, FULL-SAWN HEMLOCK NO. 1 COMMON GRADE RANGING FROM 8" TO 12" WIDE, CUT TO FULL LENGTH WITH NO HORIZONTAL BUTT JOINTS, AND FASTENED WITH 3" GALV. RING SHANK NAILS. THE SIDING SHALL NOT BE PRESSURE TREATED. PAYMENT FOR THE SIDING AND NAILS SHALL BE UNDER THE ITEM 522.30 "NON-STRUCTURAL LUMBER-UNTREATED". PAYMENT FOR THE 3/4" THICK SIDING WILL BE BASED ON 1" NOMINAL PER NIST PS20-94.
2. THE NAILERS AND BLOCKING SHALL BE ROUGH, FULL SAWN EASTERN HEMLOCK NO. 1 GRADE AND FASTENED WITH GALVANIZED SCREWS. THE NAILERS AND BLOCKING SHALL NOT BE PRESSURE TREATED. PAYMENT FOR THE NAILERS, BLOCKING AND SCREWS SHALL BE MADE UNDER THE ITEM 522.30 "NON-STRUCTURAL LUMBER-UNTREATED".
3. THE EXISTING 2"x8" RAILING SHALL BE REMOVED ENOUGH TO ALLOW FOR REPLACEMENT OF THE INTERIOR SIDING. THE RAILING SHALL BE PLACED BACK TO ITS ORIGINAL POSITION WITH THE NEW END DETAIL SHOWN ON SHEET 27. PAYMENT FOR CUTTING AND PLACING EXISTING RAILING SHALL BE INCIDENTAL TO THE ITEM 522.30 "NON-STRUCTURAL LUMBER-UNTREATED".



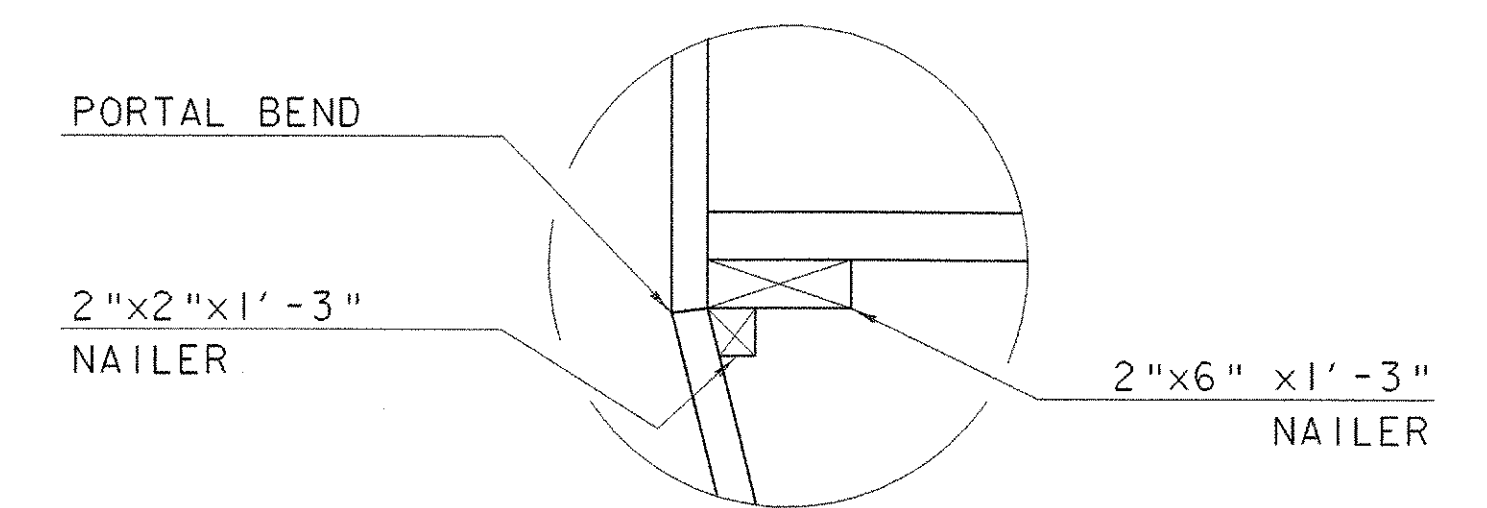
NAIL PATTERN DETAIL
 SCALE: 1/2" = 1'-0"



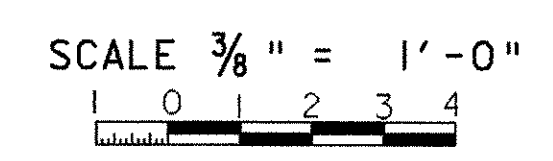
NAILER DETAIL "A"
 SCALE: 1/2" = 1'-0"



NAILER DETAIL "B"
 SCALE: 1/2" = 1'-0"



NAILER DETAIL "C"
 SCALE: 1/2" = 1'-0"



PROJECT: TUNBRIDGE	PROJECT NO. # BHO 1444 (42)
DESIGN FILE NAME: s03j032\Structures\s03j032siding.dgn	PLOT DATE: 25-AUG-2005
IPARM FILE NAME: s03j032siding.i	DESIGNED BY: R. S. YOUNG
DESIGNED BY: R. S. YOUNG	DRAWN BY: E. L. RUSTAY
SQUAD LEADER: C. P. WILLIAMS	CHECKED BY: R. S. YOUNG
SIDING DETAILS	SHEET: 16 OF 40