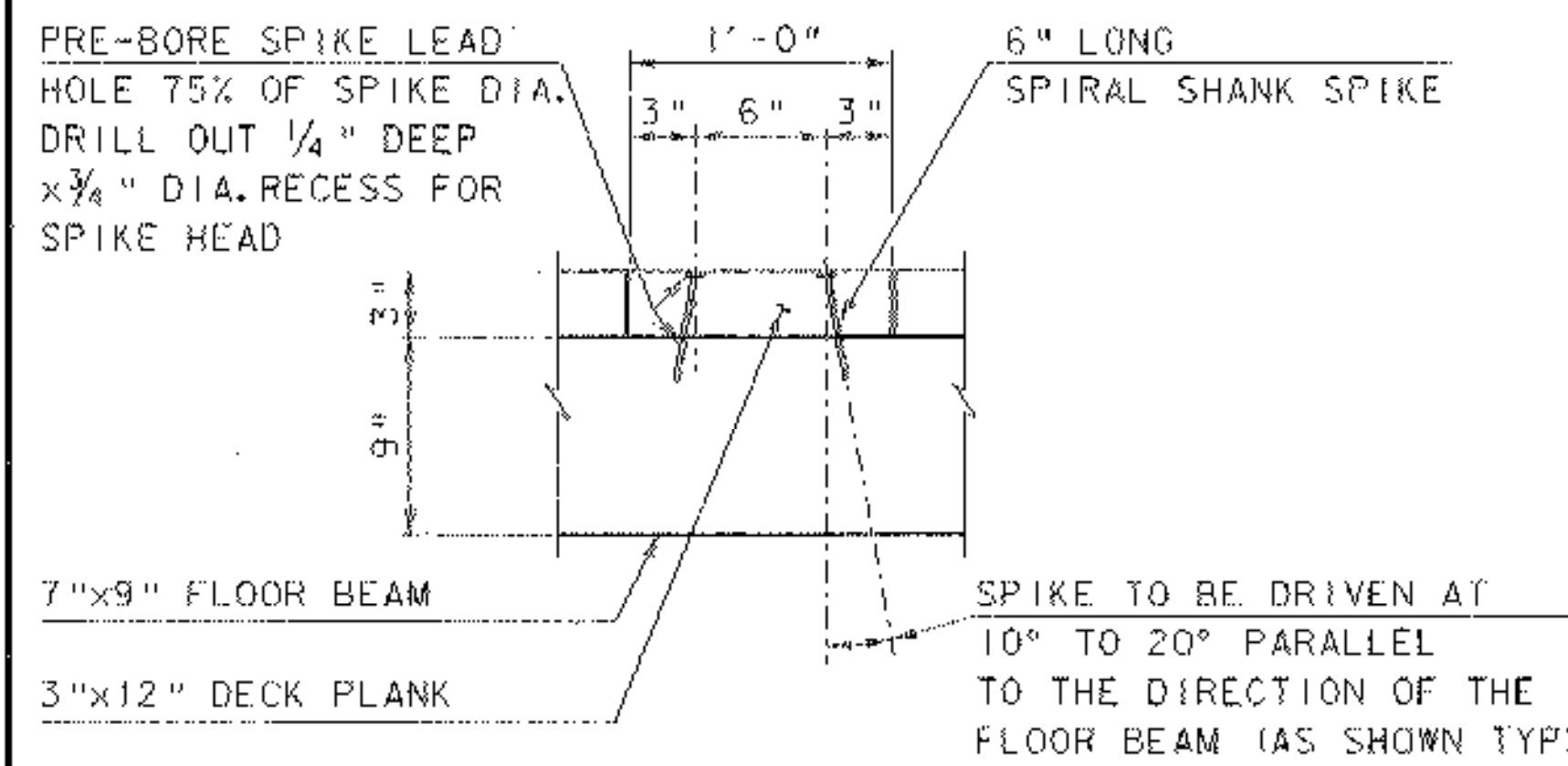


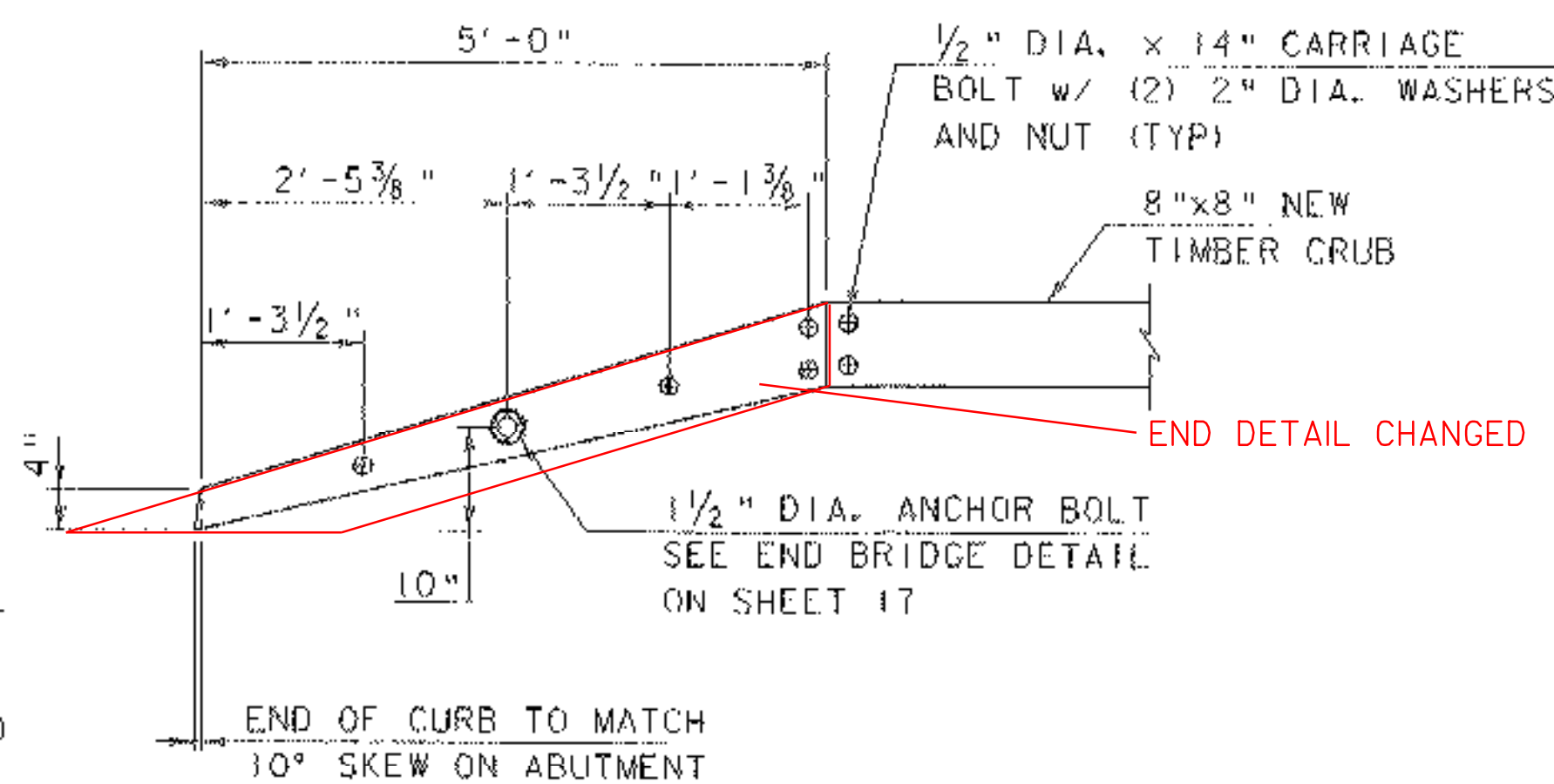
CURB SPLICE DETAIL

SCALE 3/4" = 1'-0"



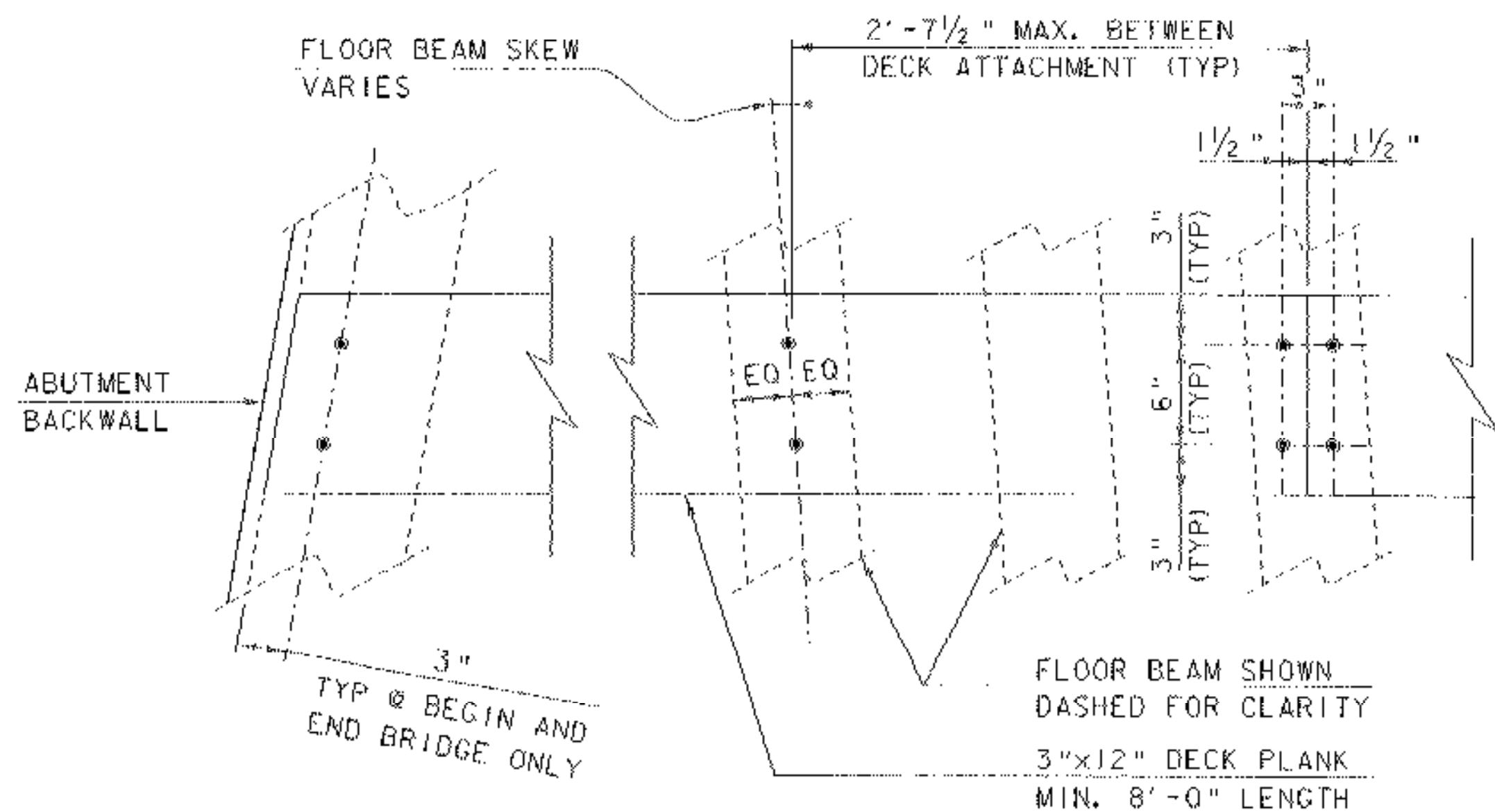
PLANK NAILING DETAIL

SCALE 1 1/2" = 1'-0"



CURB END TAPER DETAIL

SCALE 3/4" = 1'-0"



PLANK NAILING LAYOUT PLAN

SCALE 1 1/2" = 1'-0"

DECK AND CURB NOTES:

1. THE TIMBER FOR THE DECK SHALL BE 3" X 12" PLANKS AND THE CURB SHALL BE 8" X 8" TIMBERS. THE DECK AND CURB SHALL BE ROUGH LUMBER, FULL SAWN EASTERN HEMLOCK NO. 1 (OR BETTER) GRADE STRUCTURAL LUMBER. THE TIMBER SHALL BE PRESSURE TREATED WITH A TYPE IV (CHROMATED COPPER ARSENATE) OR TYPE V (ALKALINE COPPER QUAT) PRESERVATIVE PER SUPPLEMENTAL SPECIFICATION SECTION 726. IF TYPE V PRESERVATIVE IS USED, ALL MEMBER CONNECTORS SHALL BE STAINLESS STEEL FASTENERS.
2. LUMBER, SPIKES, BOLTS, NUTS, AND WASHERS FOR THE DECK AND CURB SHALL BE PAID FOR UNDER THE ITEM 522.25 "STRUCTURAL LUMBER AND TIMBER - TREATED".
3. THE DECK AND CURB SHALL BE LAID OUT TO MINIMIZE THE END CUTS TO PRESERVE THE PRESSURE TREATMENT ENVELOPE. ANY END CUTS OF THE DECK PLANKS OR CURB SHALL BE TREATED WITH TWO APPLICATIONS OF A COPPER NAPHTHINATE SOLUTION.

SPLICE NEW DECK AT FLOOR BEAM
ALTERNATE LAPS TO ADJACENT
PLANKS BY A MIN. 2'-7 1/2" (TYP)

3" X 12" NEW DECK PLANKING
MIN. 8'-0" LENGTH, SEE DECK
& CURB NOTES THIS SHEET

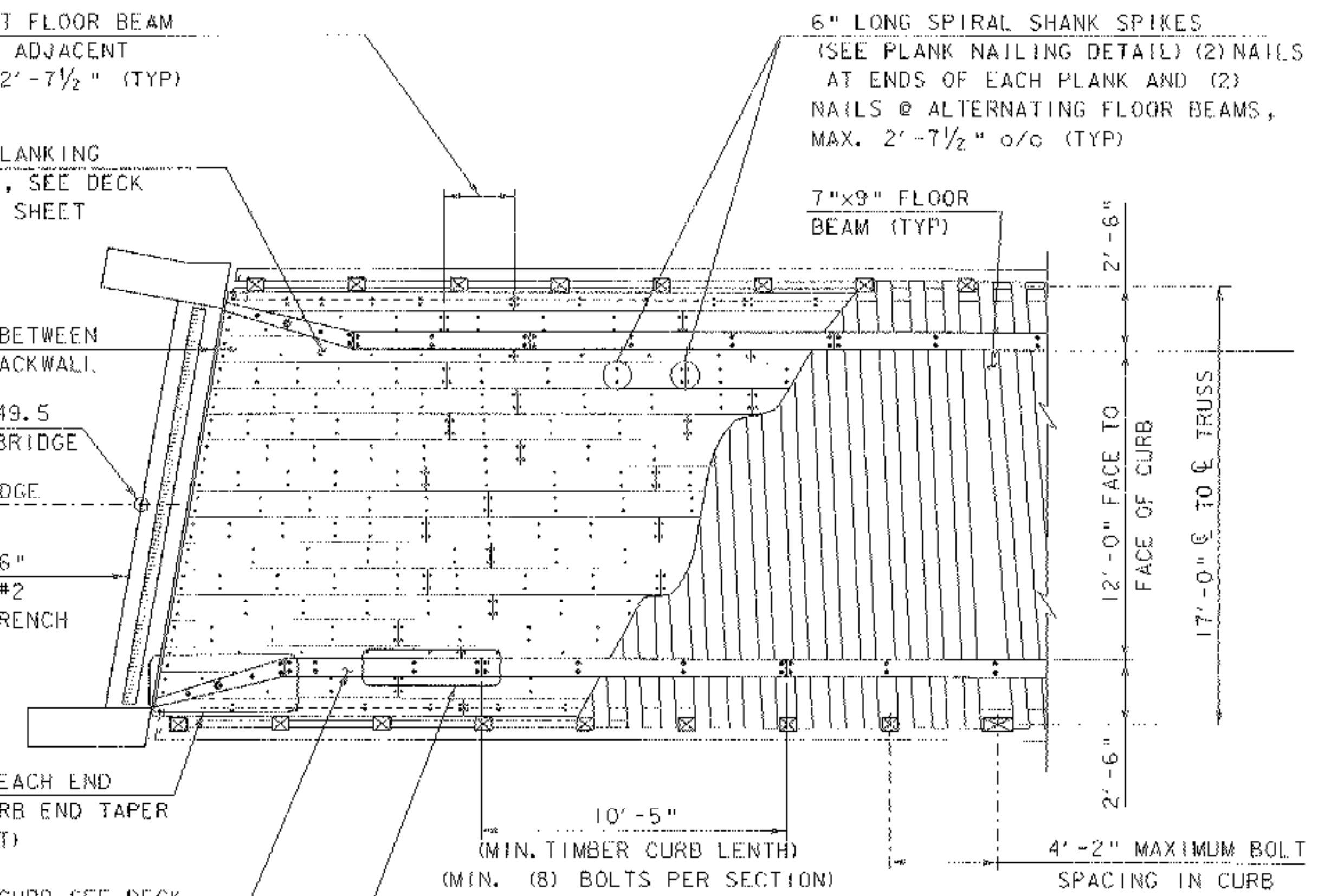
1" GAP MAX. GAP BETWEEN
DECK PLANKS AND BACKWALL.

ABUTMENT #1 WITH 6"
TRENCH, ABUTMENT #2
SIMILAR WITH NO TRENCH

TAPER END CURB @ EACH END
OF BRIDGE (SEE CURB END TAPER
DETAIL, THIS SHEET)

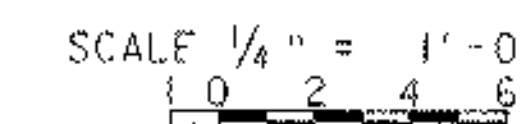
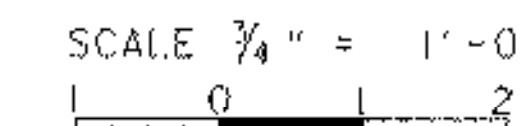
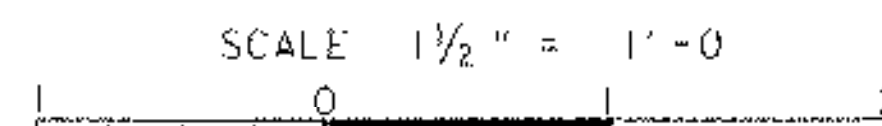
8" X 8" NEW TIMBER CURB SEE DECK
& CURB NOTES THIS SHEET

LOCATE CURB SPLICE BETWEEN FLOOR BEAMS
(SEE CURB SPLICE DETAIL THIS SHEET)



FLOOR DECKING AND CURB PLAN

SCALE 1/4" = 1'-0"



PROJECT: TUNBRIDGE	PROJECT NO. 1 BHO 1444 (42)
DESIGN FILE NAME: s03j032\structures\s03j032curb.dgn	PLOT DATE: 25-AUG-2005
IPARM FILE NAME: s03j032curb.i	DRAWN BY: M. LONGSTREET
DESIGNED BY: R. S. YOUNG	CHECKED BY: R. S. YOUNG
SQUAD LEADER: C. P. WILLIAMS	SHEET: 15 OF 40
DECKING AND CURB DETAILS	