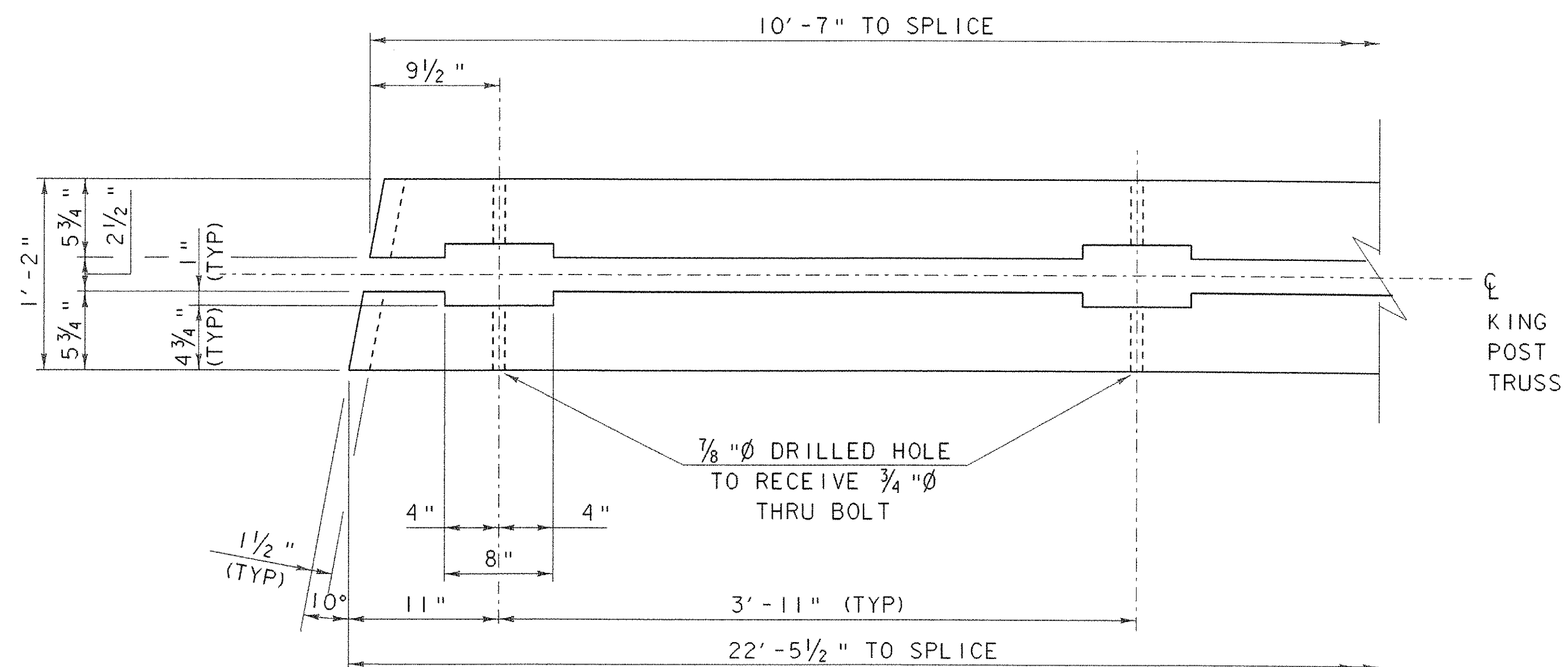


BOTTOM CHORD SPLICE DETAIL
SCALE 1/2" = 1'-0"

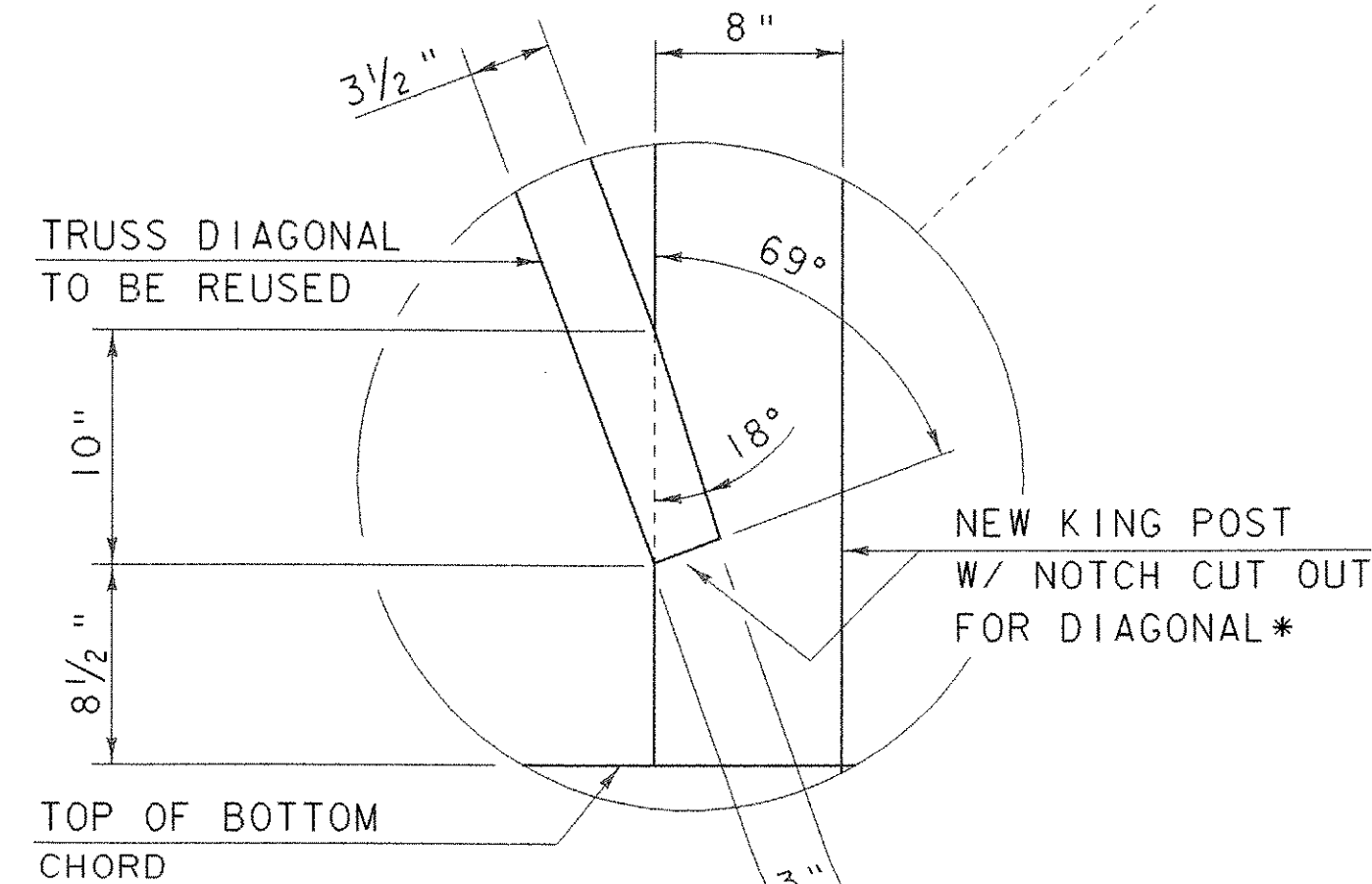


BOTTOM CHORD PLAN DETAIL
SCALE 1/2" = 1'-0"

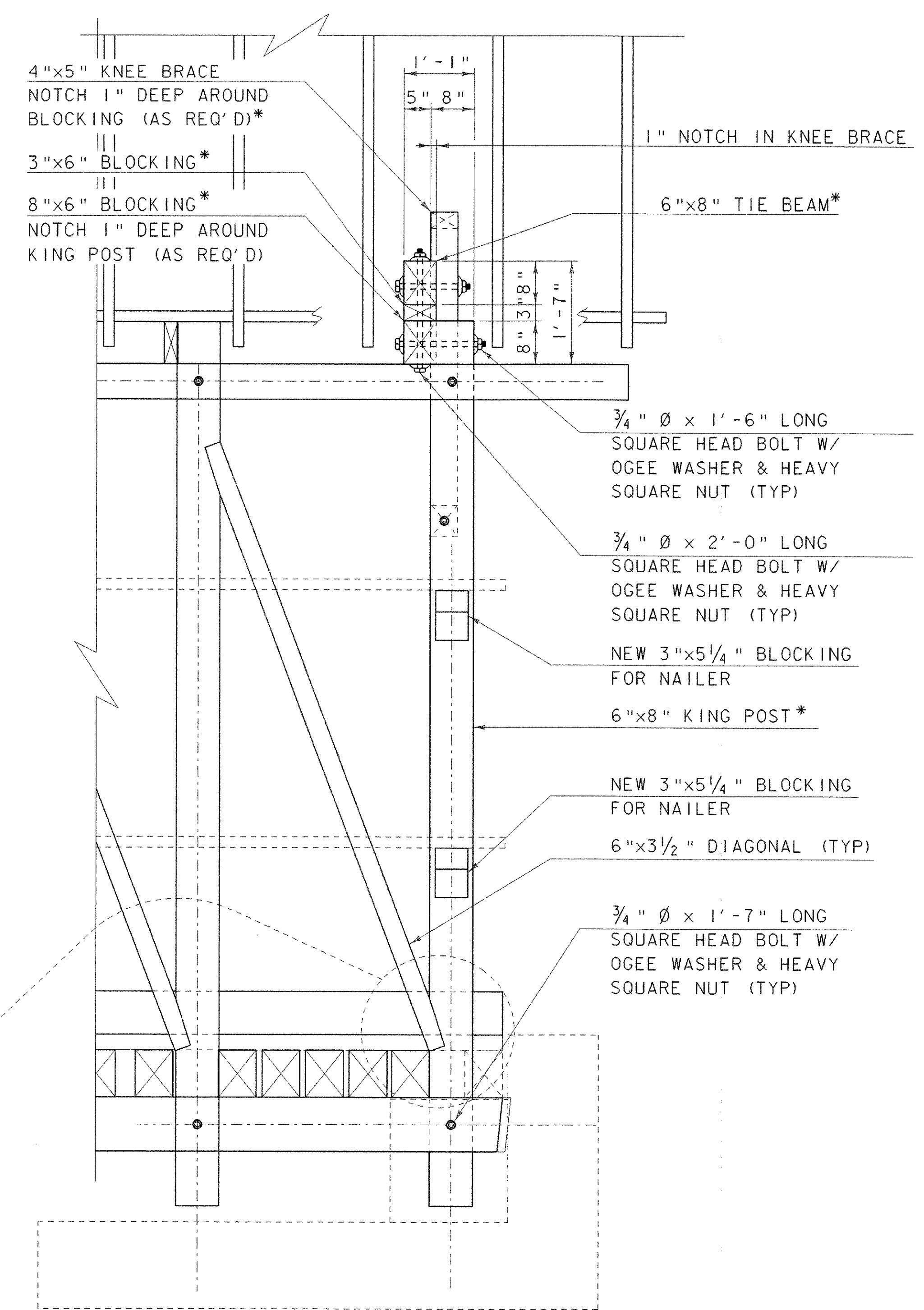
NOTES:

1. THE VTRANS HISTORIC PRESERVATION OFFICER WILL INSPECT THE BOTTOM CHORDS PRIOR TO THEIR PARTIAL REPLACEMENT.
2. ALL LUMBER AND TIMBER IS EXISTING UNLESS NOTED OTHERWISE

*SEE SHEET 13 FOR REPLACEMENT LOCATIONS



TRUSS DIAGONAL NOTCH
SCALE 1/2" = 1'-0"



TYPICAL CORNER ELEVATION
SCALE 3/4" = 1'-0"

SCALE 3/4" = 1'-0"

SCALE 1/2" = 1'-0"

PROJECT: TUNBRIDGE	PROJECT NO. #: BHO 1444 (42)
DESIGN FILE NAME: s03j032\Structures\s03j032ssd+1.dgn	PLOT DATE: 25-AUG-2005
IPARM FILE NAME: s03j032ssd+12.i	DRAWN BY: M. LONGSTREET
DESIGNED BY: R. S. YOUNG	CHECKED BY: R. S. YOUNG
SQUAD LEADER: C. P. WILLIAMS	SHEET: 14 OF 40
TRUSS DETAILS	