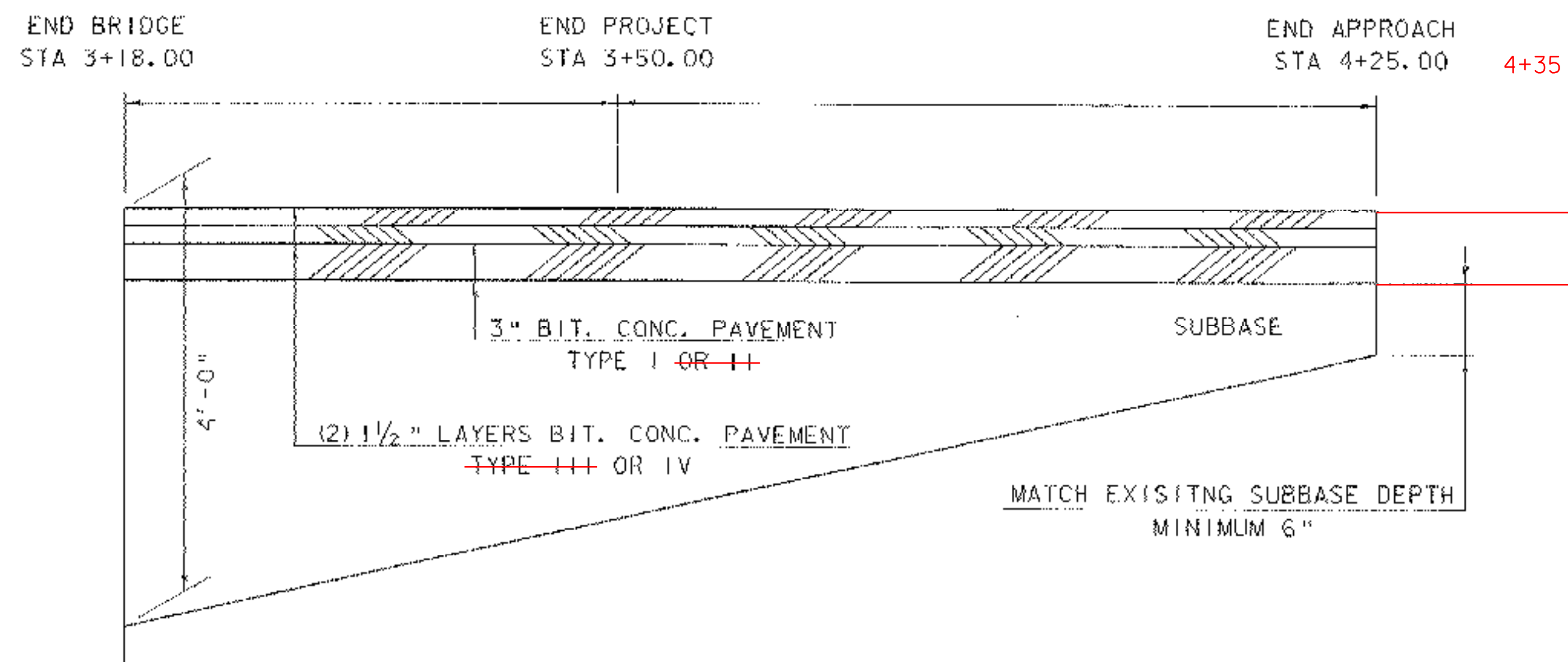


SUBBASE TRANSITION @ BEGIN PROJECT
NTS

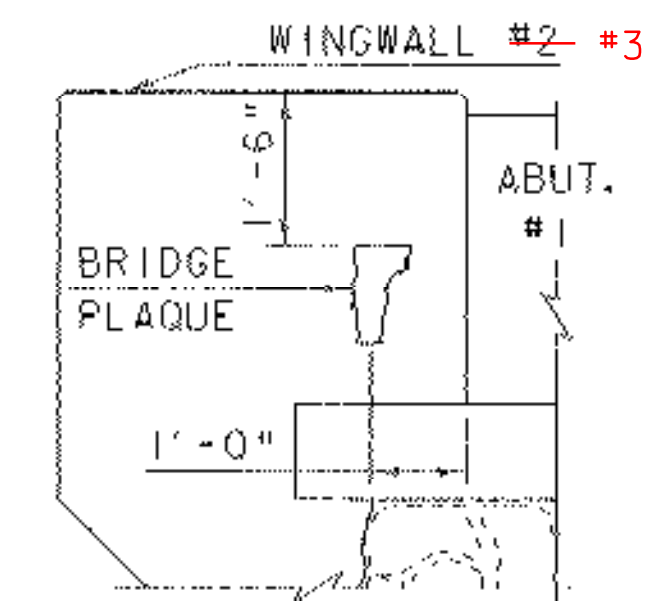


SUBBASE TRANSITION @ END PROJECT
NTS



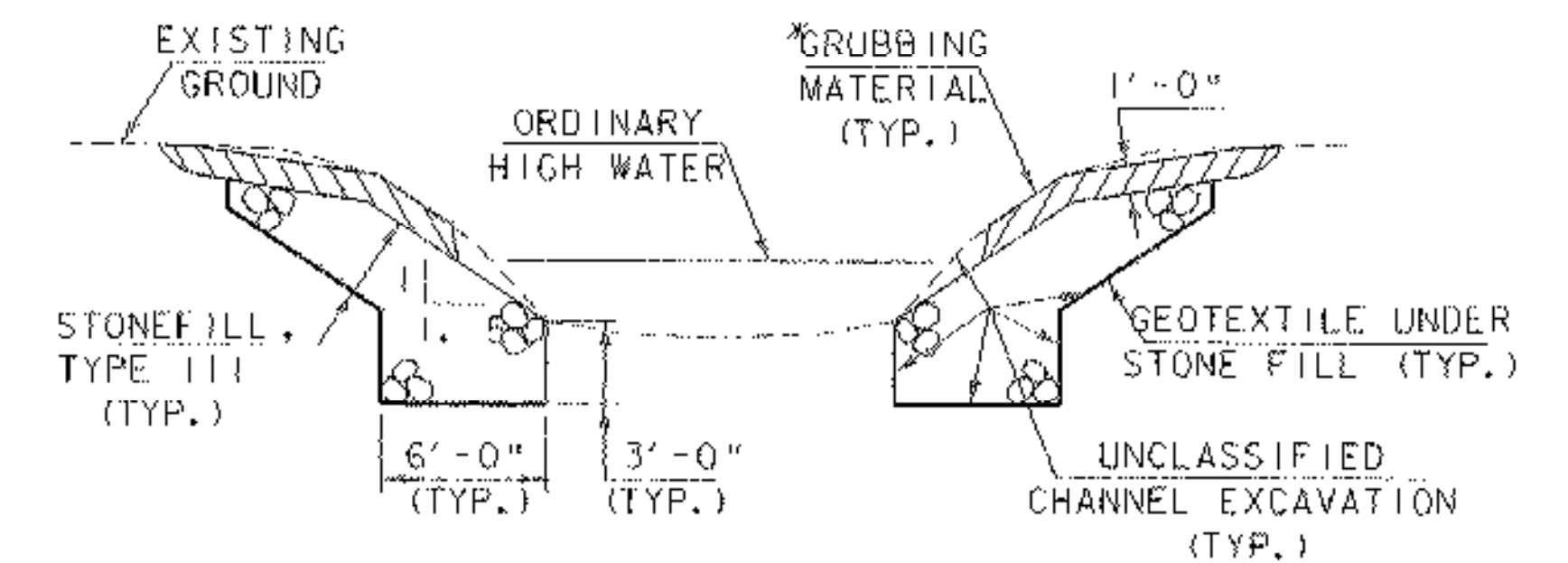
P.V.C. WATERSTOP FOR EXPANSION JOINTS

THE COSTS FOR P.V.C. WATERSTOP SHALL BE INCLUDED IN THE UNIT PRICE BID FOR CONCRETE. OTHER CONFIGURATIONS MAY BE USED UPON APPROVAL OF THE STRUCTURES ENGINEER.



LOCATE BRIDGE PLAQUE

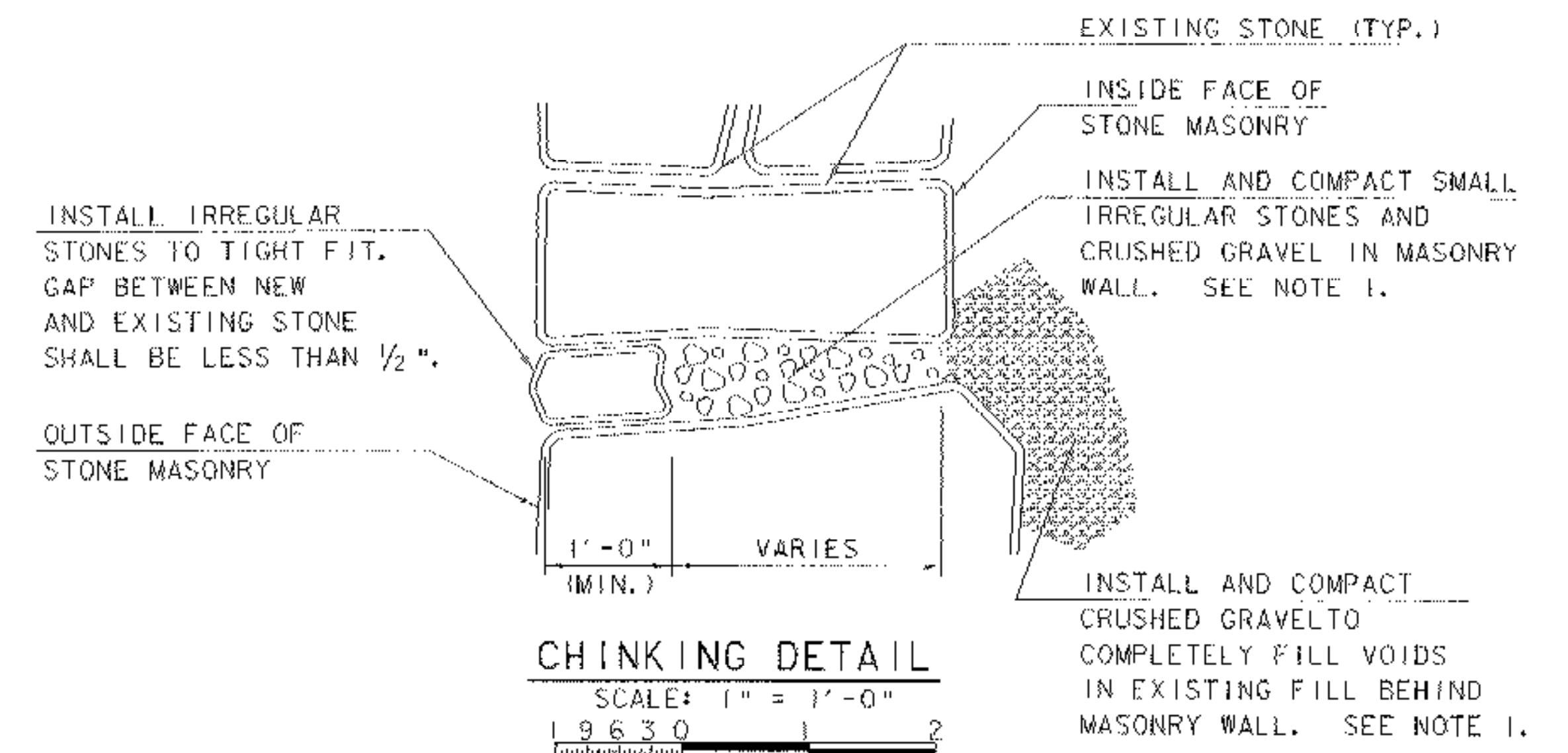
THE BRIDGE PLAQUE WILL BE SUPPLIED BY THE AGENCY OF TRANSPORTATION AND SHALL BE INSTALLED BY THE CONTRACTOR AT ABUTMENT #1 ON THE RIGHT SIDE AS SHOWN OR AS DIRECTED BY THE ENGINEER.



TYPICAL CHANNEL SECTION

(NOT TO SCALE)

*GRUBBING MATERIAL SHALL NOT BE PLACED ON THE STONE FILL IN THE AREA UNDER THE BRIDGE. WHENEVER CHANNEL SLOPE INTERSECTS ROADWAY SUBBASE, GRUBBING MATERIAL SHALL BEGIN AT THE BOTTOM OF SUBBASE.



CHINKING DETAIL

SCALE: 1" = 1'-0"

19630 1 2

1. COMPACT MATERIAL BEHIND AND INTO MASONRY WALL BY USING TAMPING RODS OR OTHER METHODS ACCEPTABLE TO THE RESIDENT ENGINEER.

2. REPAIR OF ABUTMENT NO. 2 SHALL BE PAID FOR UNDER THE ITEM 602.30 "REPOINTING MASONRY (MOD.)"

PROJECT: TUNBRIDGE	PROJECT NO.: BHO 1444 (42)
DESIGN FILE NAME: s03j032/structures/s03j032misc.dgn	PLOT DATE: 25-AUG-2005
IPARM FILE NAME: s03j032misc.i	DRAWN BY: E.L. RUSTAY
DESIGNED BY: R.S. YOUNG	CHECKED BY: R.S. YOUNG
SQUAD LEADER: C. P. WILLIAMS	SHEET: 8 OF 40
MISC. DETAILS	