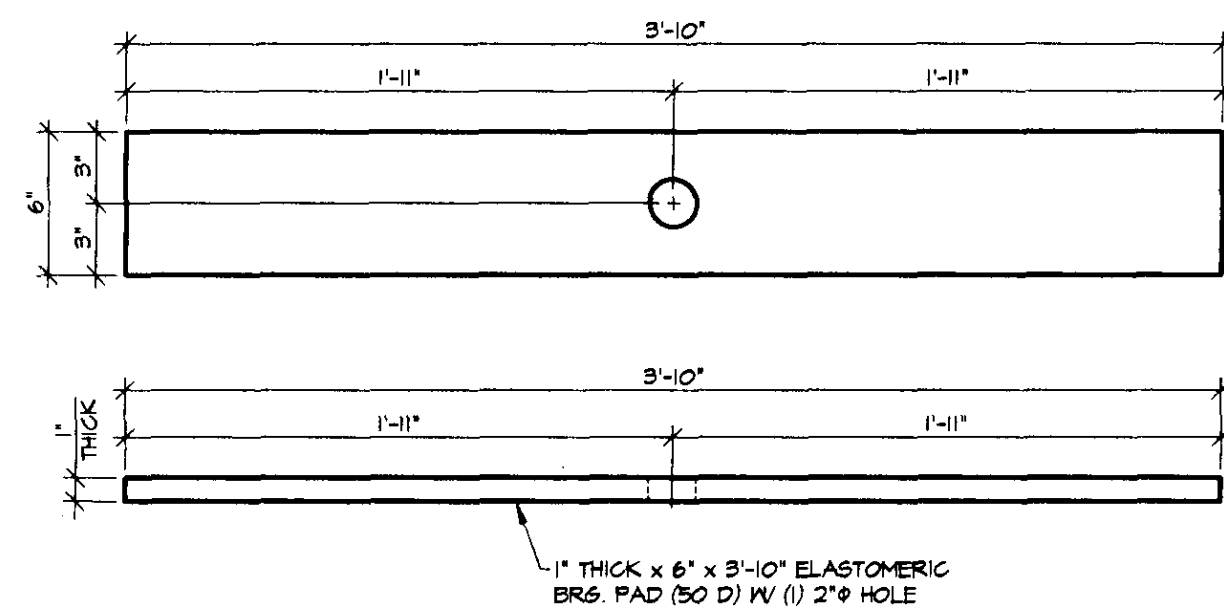
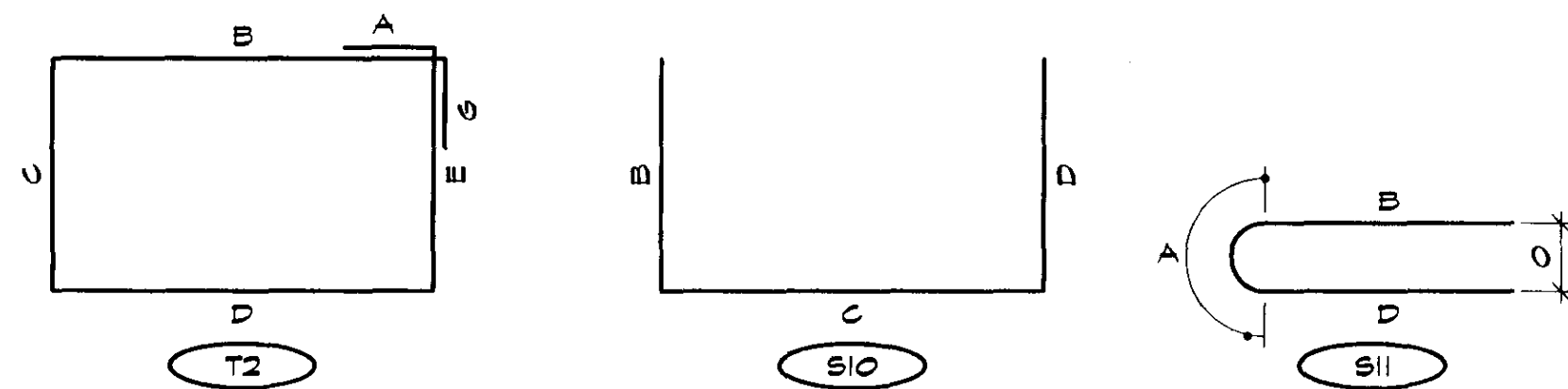


BENT BARS, TIES, & STIRRUPS

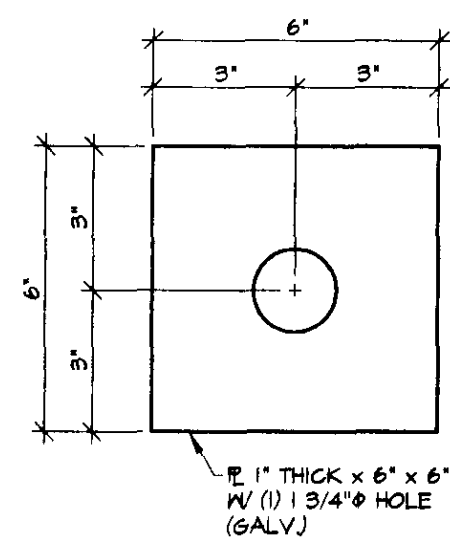
ITEM	MARK	QTY.	SIZE	LENGTH	TYPE	A	B	C	D	E	F/R	G	H	J	K	O	GRADE	REMARKS	
1	401	208	#4	10'-5"	T2	6"	1'-3 1/2"	3'-7 1/2"	1'-3 1/2"	3'-7 1/2"		6"					60		
2	402	24	#4	7'-4 1/4"	S10		2'-0"	3'-6 1/4"	2'-0"								60		
3	403	32	#4	5'-0 1/4"	S10		2'-0"	1'-2 1/4"	2'-0"								60		
4																			
5	501	16	#5	4'-9 1/2"	S10	9 1/2"	2'-0"	2'-0"								6"	60		
6																			
7																			
8																			
9																			
10																			
11																			
12																			
13																			
14																			
15																			
16																			
17																			
18																			
19																			
20																			

MISCELLANEOUS MATERIALS

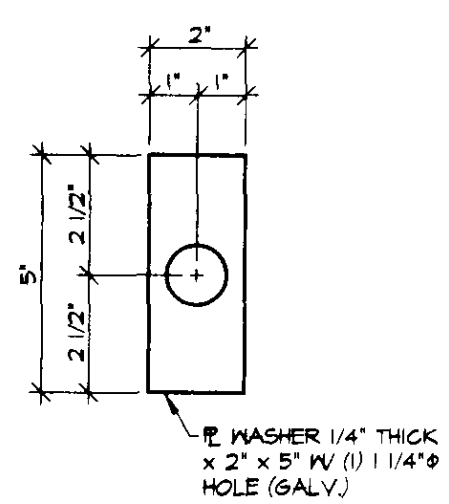
ITEM	MARK	QTY.	DESCRIPTION	REMARKS
1	EM-1	4	1" THICK x 6" x 6" x 5" W/ (1) 2" HOLE (GALV.)	FOR ERECTION
2		4	SINGLE USE STRESSING CHUCK	FOR ERECTION
3		2	1/2" POLYSTRAND x 17'-11"	FOR ERECTION
4		8	1" THICK x 6" x 3'-10" ELASTOMERIC BRG. PAD W/ (1) 2" HOLE	FOR ERECTION
5				
6		80	1" NUTS (GALV.)	
7		40	STANDARD WASHER (GALV.)	
8		40	1/4" x 2" x 5" PL. WASHER W/ (1) 1/4" HOLE (GALV.)	SEE DETAIL, THIS SHEET
9		40	1" x 5" A325 THREADED ROD	HOT DIPPED GALV.
10		20	PRESET GALV. ANCHOR	
11		40	8NC THREADED CLOSED FERRULE x 1 1/8" LONG (1 1/4" THREAD LENGTH)	
12				
13		36	3/4" x 4" NON-FERROUS VOID DRAIN	
14		8	10" VOID x 4'-3"	
15		10	10" VOID x 26'-10"	
16		16	DOUBLE 1/2" STRAND LIFTING LOOPS	
17				
18				
19				
20				



BEARING PAD DETAIL
1 1/2" = 1'-0"



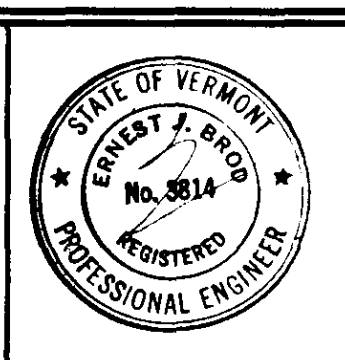
EM - 2
3" = 1'-0"



PL WASHER
3" = 1'-0"

NO.	DATE	REVISION

DRAWN: **B.M. LOPEZ**
 DESIGNED: **E.J. BROD**
 CHECKED: _____
 APPROVED: _____



J.P. CARRARA & SONS INC.
 Precast & Prestress Manufacturer
 2464 CASE STR., MIDDLEBURY, VERMONT 05753
 Phone: (802)388-6361 Fax: (802)388-9010
 Double-Tees Hollow-Core Plank Flat Panels

TOWN OF BRIDGEWATER
 P.O. BOX 14
 BRIDGEWATER, VERMONT 05034

Project Name:
TOWN OF BRIDGEWATER
#47 LOWER BOOTH BRIDGE
BRIDGEWATER, VERMONT
MATERIALS LIST

SCALE:	JOB #:
NOTED	23131-01
DATE:	SHEET #:
1-9-02	M