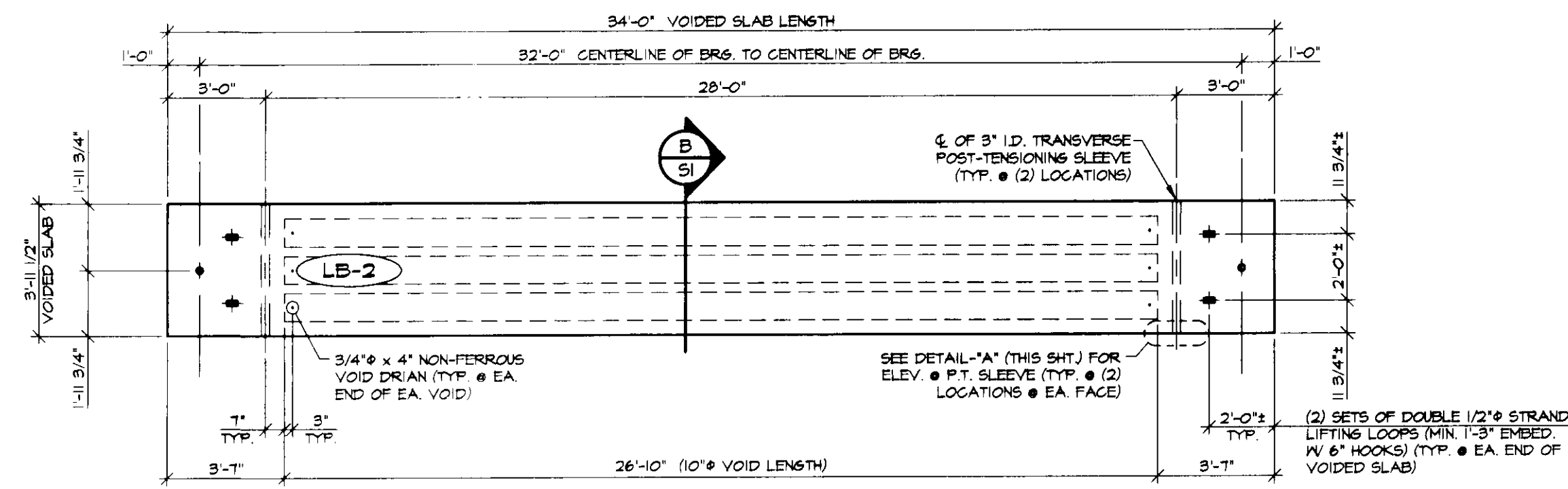
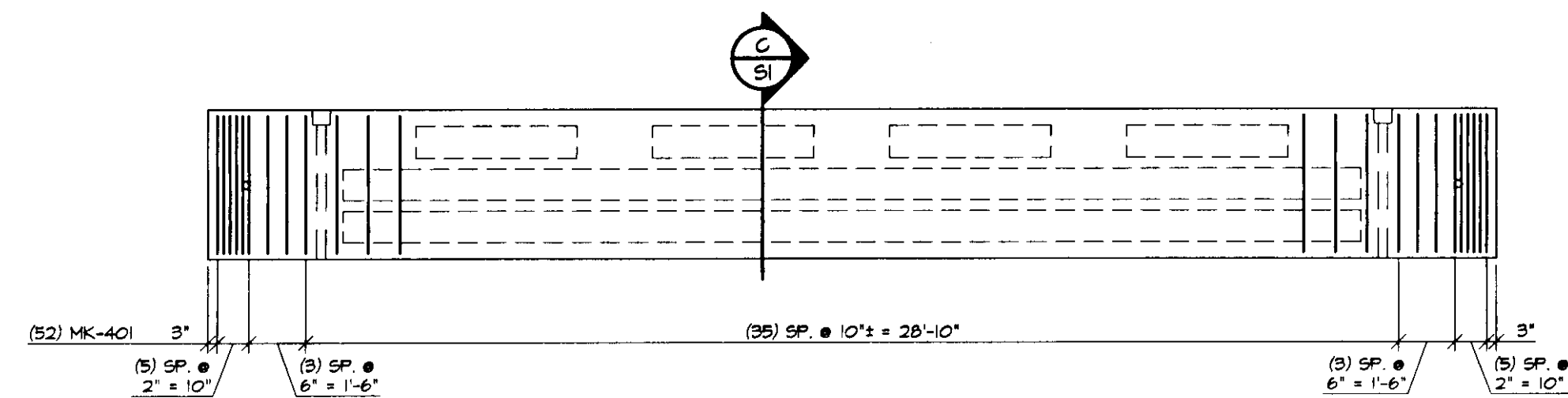


1 DIMENSIONAL PLAN VIEW IN FORM
1/4" = 1'-0"

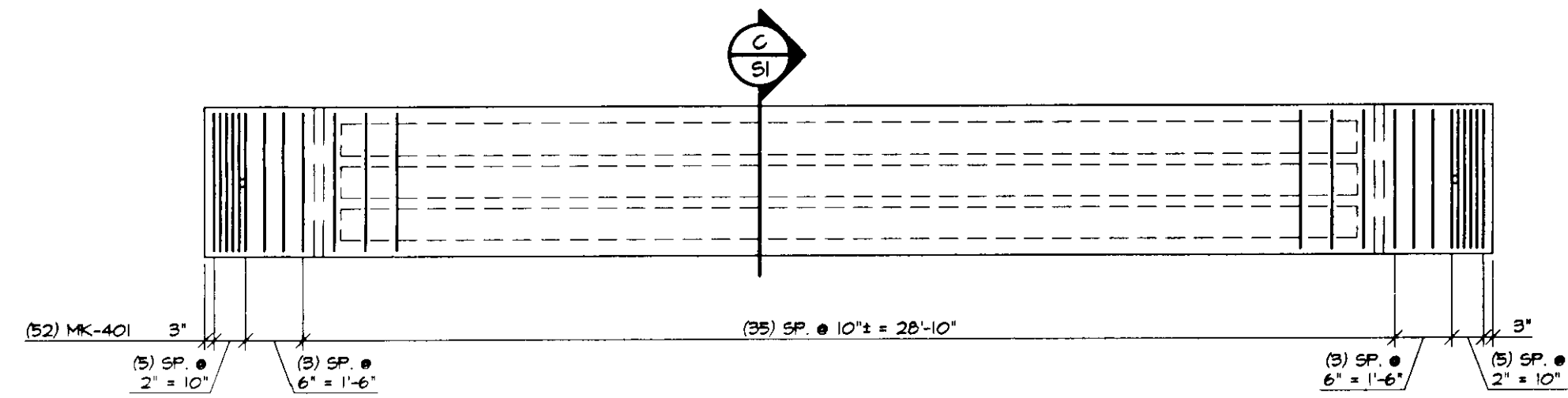


3 DIMENSIONAL PLAN VIEW IN FORM
1/4" = 1'-0"



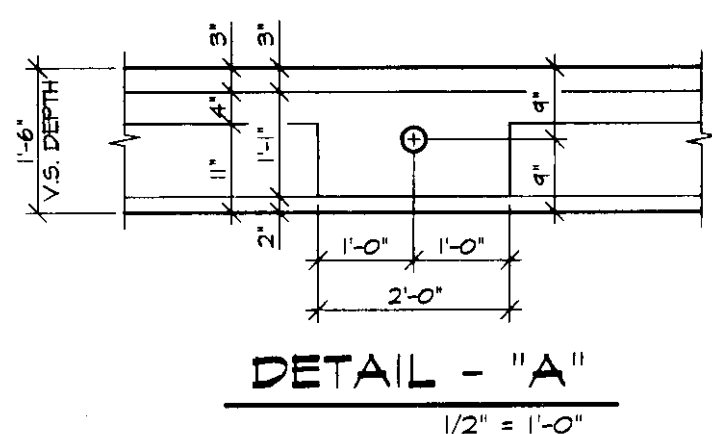
2 REINFORCING PLAN VIEW IN FORM
1/4" = 1'-0"

SHOP NOTE:
ADJUST REINFORCING AS REQUIRED TO CLEAR P.T. SLEEVES, ETC.

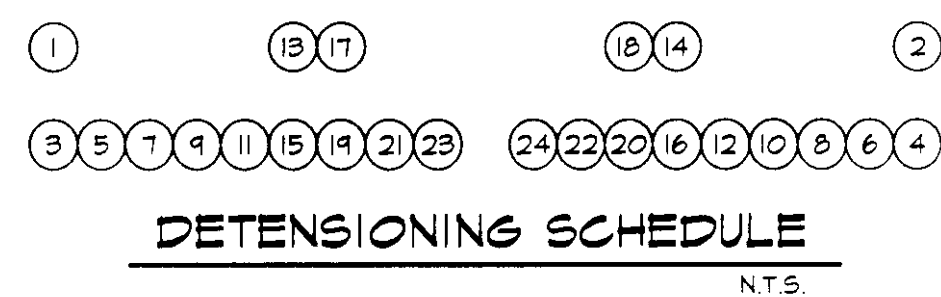


4 REINFORCING PLAN VIEW IN FORM
1/4" = 1'-0"

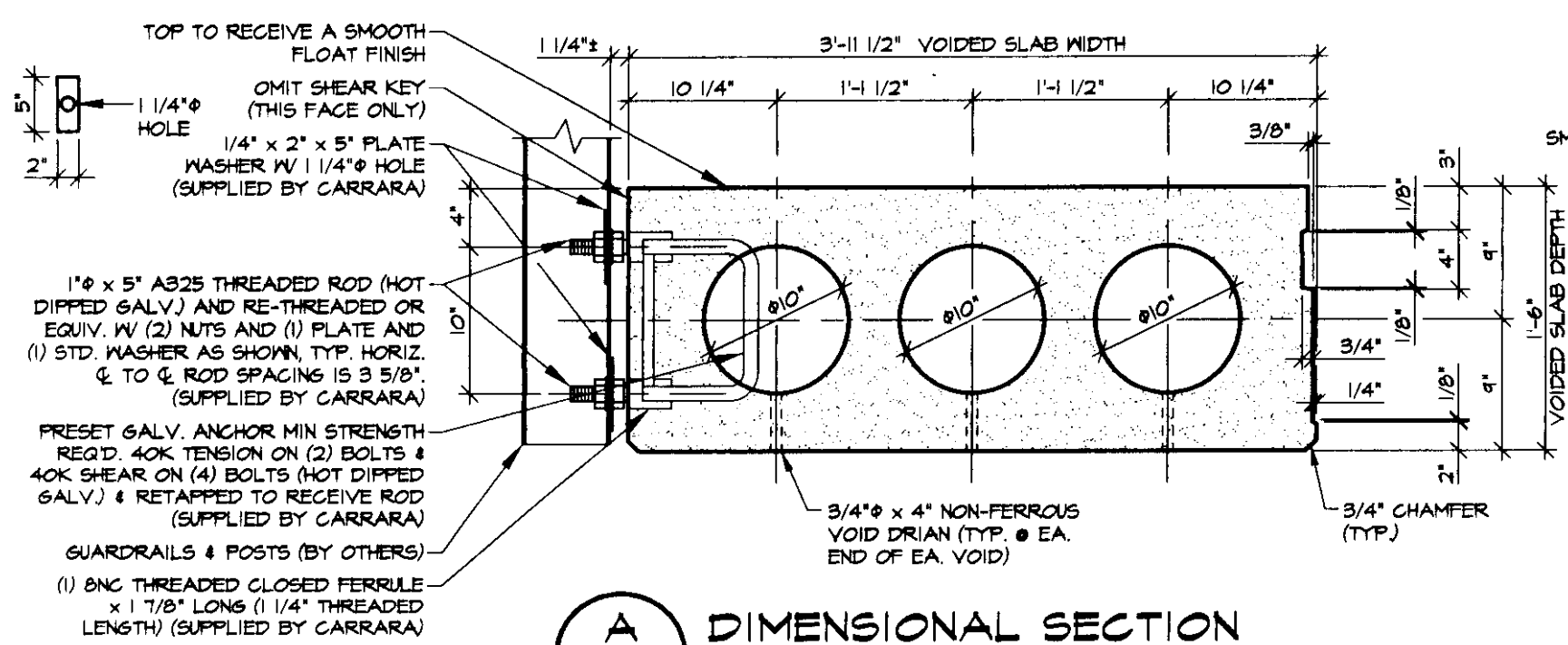
SHOP NOTE:
ADJUST REINFORCING AS REQUIRED TO CLEAR P.T. SLEEVES, ETC.



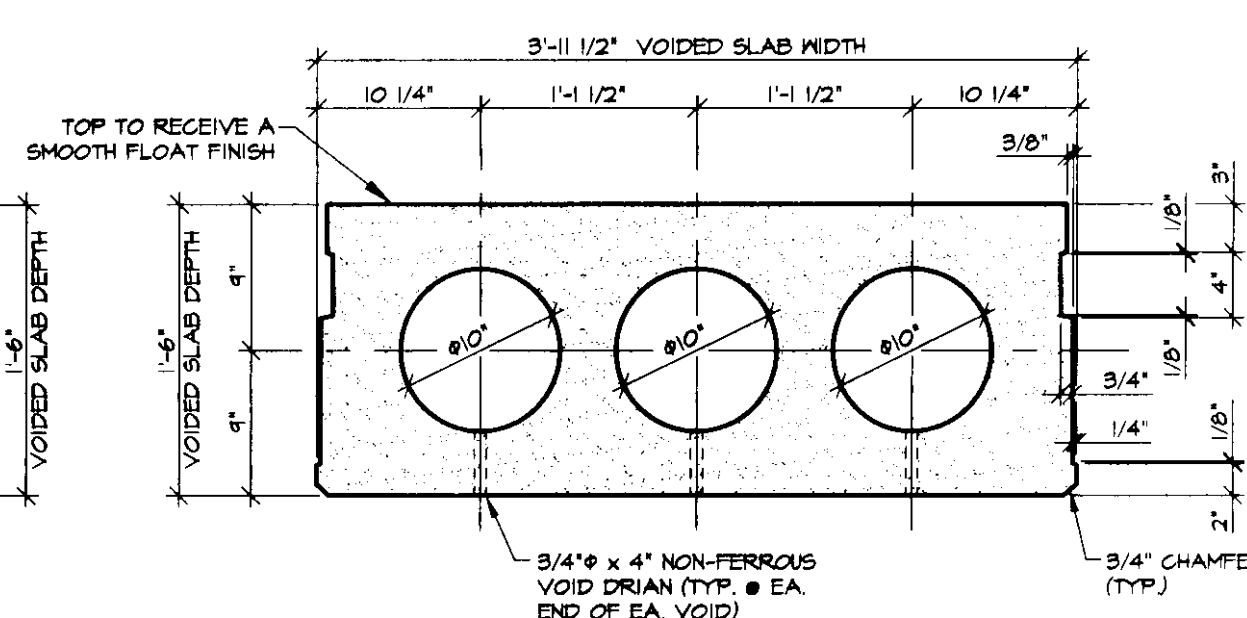
DETAIL - "A"
1/2" = 1'-0"



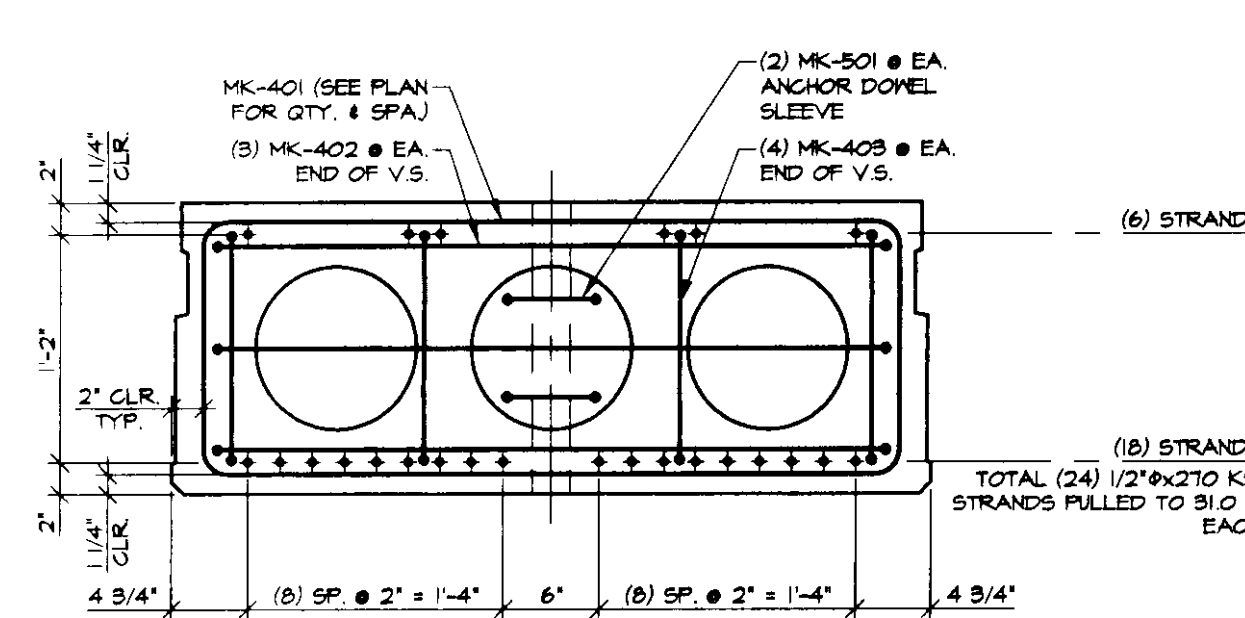
DETENSIONING SCHEDULE
N.T.S.



A DIMENSIONAL SECTION
1" = 1'-0"



B DIMENSIONAL SECTION
1" = 1'-0"

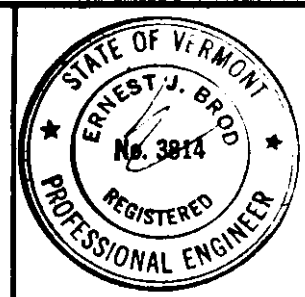


C REINFORCING SECTION
1" = 1'-0"

MARK: LB-1	QTY.: 2	WT./TONS: 12.10	CU. YDS.: 5.97
MARK: LB-2	QTY.: 2	WT./TONS: 11.55	CU. YDS.: 5.70

MATERIAL LIST / VOIDED SLAB				
ITEM	MARK	DESCRIPTION	QTY./SLAB	
			LB-1	LB-2
1	401	#4 BENT BAR	52	52
2	402	#4 BENT BAR	6	6
3	403	#4 BENT BAR	8	8
4				
5	501	#5 HAIRPIN	4	4
6				
7				
8				
9		1" NUTS (GALV.)	40	
10		STANDARD WASHER (GALV.)	20	
11		1/4" x 2" x 5" PL. WASHER W/ 1/4" HOLE (GALV.)	20	
12		1" x 5" A325 THREADED ROD (HOT DIPPED GALV.)	20	
13		PRESET GALV. ANCHOR	10	
14		8NC THREADED CLOSED FERRULE x 1 7/8" LONG (1 1/4" THREAD LENGTH)	20	
15				
16		3/4" x 4" NON-FERROUS VOID DRAIN	12	6
17		10" VOID x 4'-3"	4	
18		10" VOID x 26'-10"	2	3
19		DOUBLE 1/2" STRAND LIFTING LOOPS	4	4
20				

DRAWN: B.M. LOPEZ
DESIGNED: E.J. BROD
CHECKED:
APPROVED:



J.P. CARRARA & SONS INC.
Precast & Prestress Manufacturer
2464 CASE STR., MIDDLEBURY, VERMONT 05753
Phone: (802) 388-6361 Fax: (802) 388-9010

TOWN OF BRIDGEWATER
P.O. BOX 14
BRIDGEWATER, VERMONT 05034

Project Name:
TOWN OF BRIDGEWATER
#47 LOWER BOOTH BRIDGE
BRIDGEWATER, VERMONT
P/S VOIDED SLAB DETAILS

SCALE: NOTED
JOB #: 23131-01
DATE: 1-9-02
SHEET #: 51

NO.	DATE	REVISION