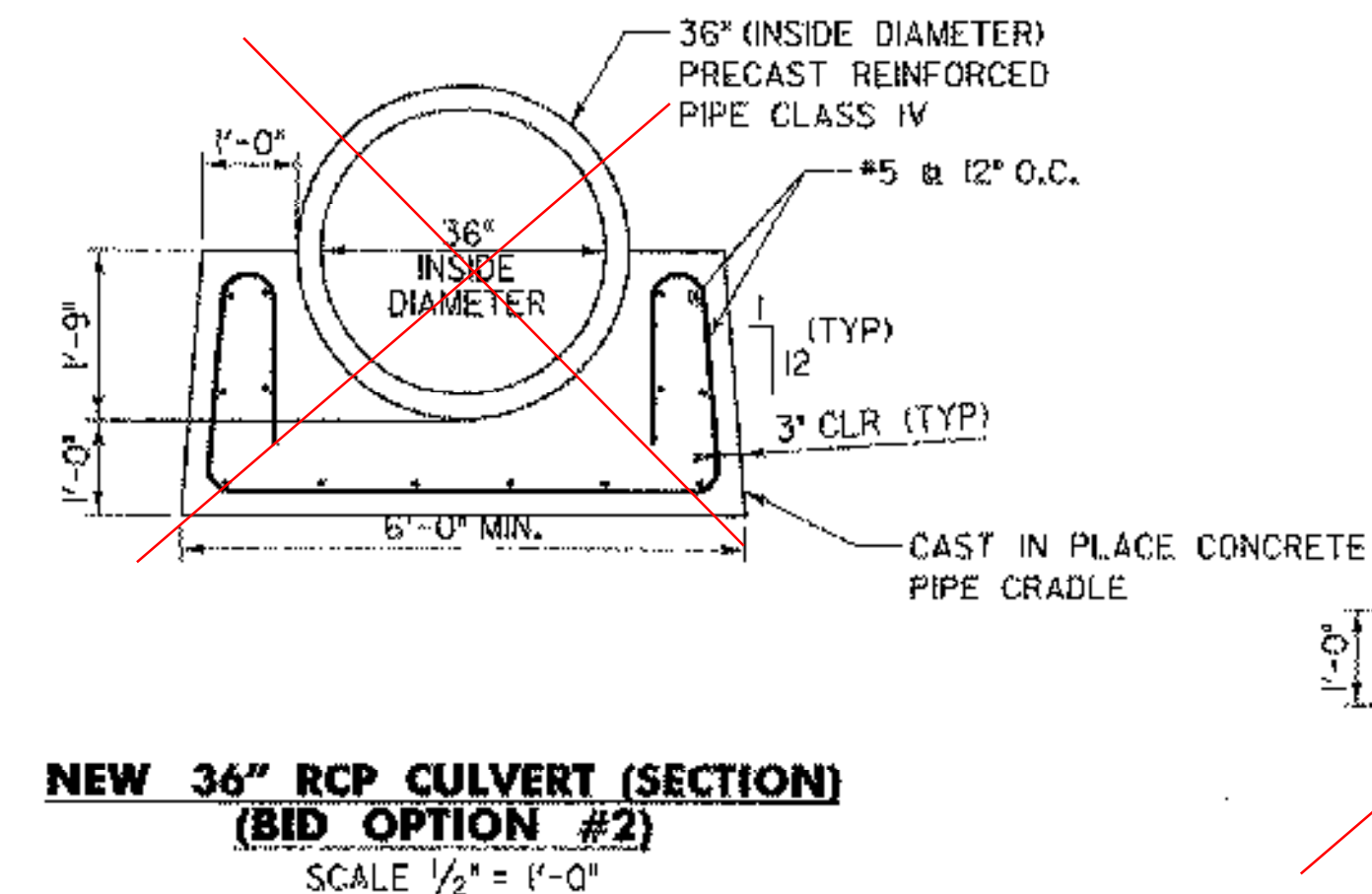
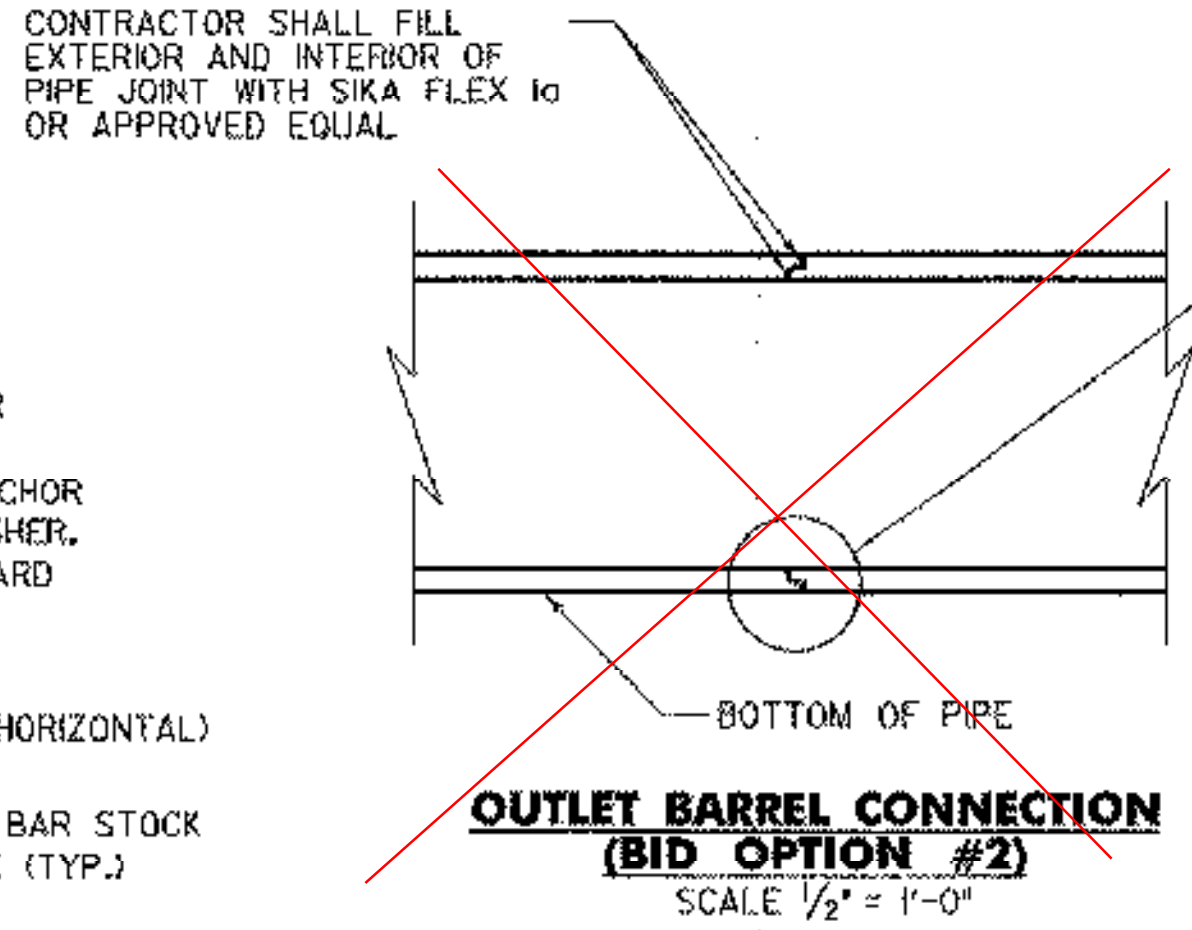
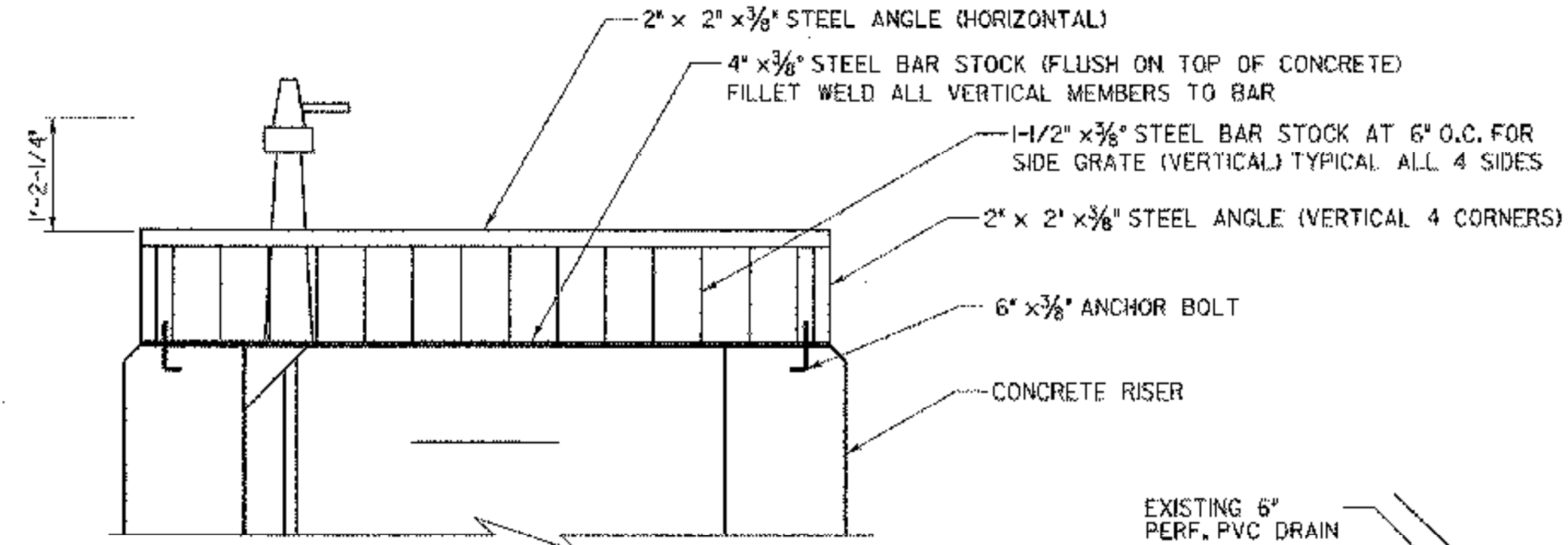


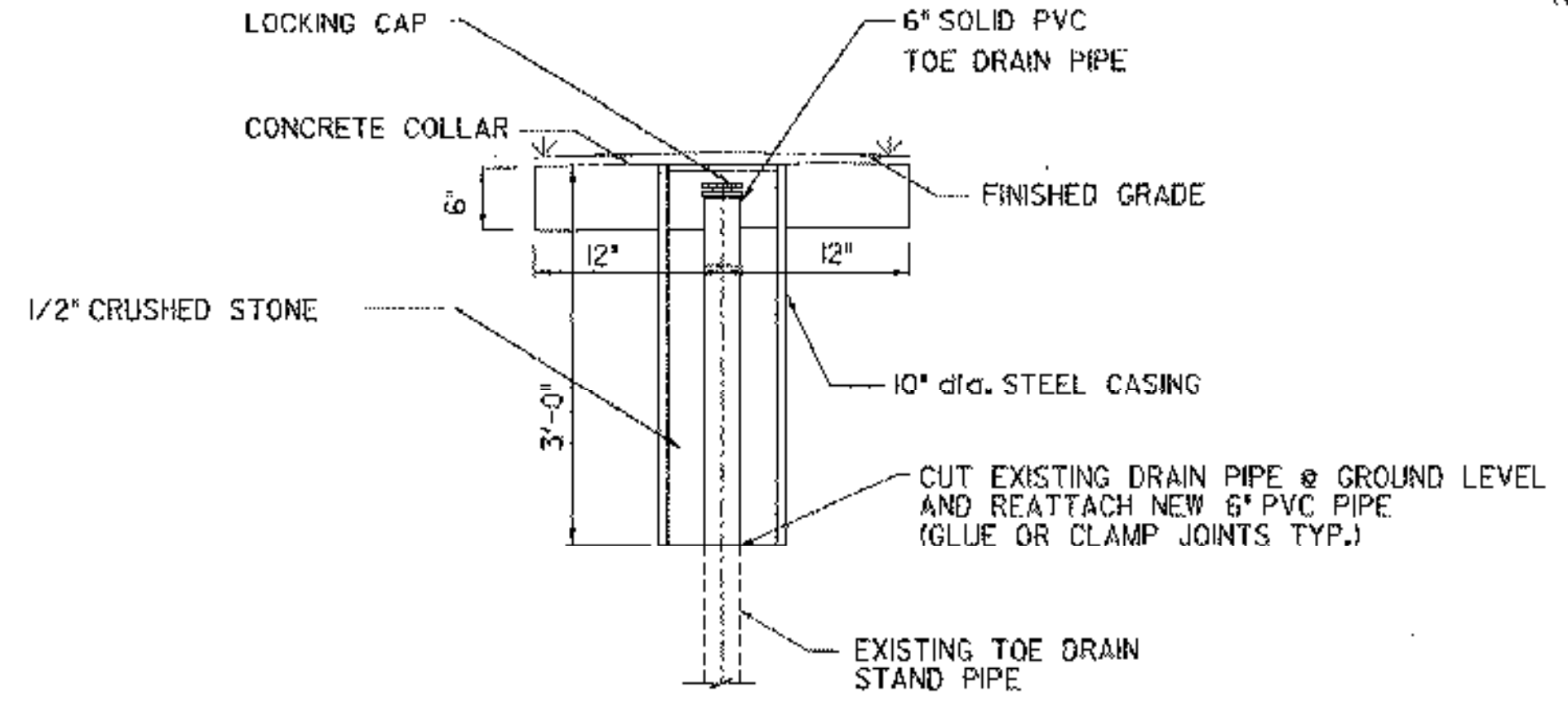
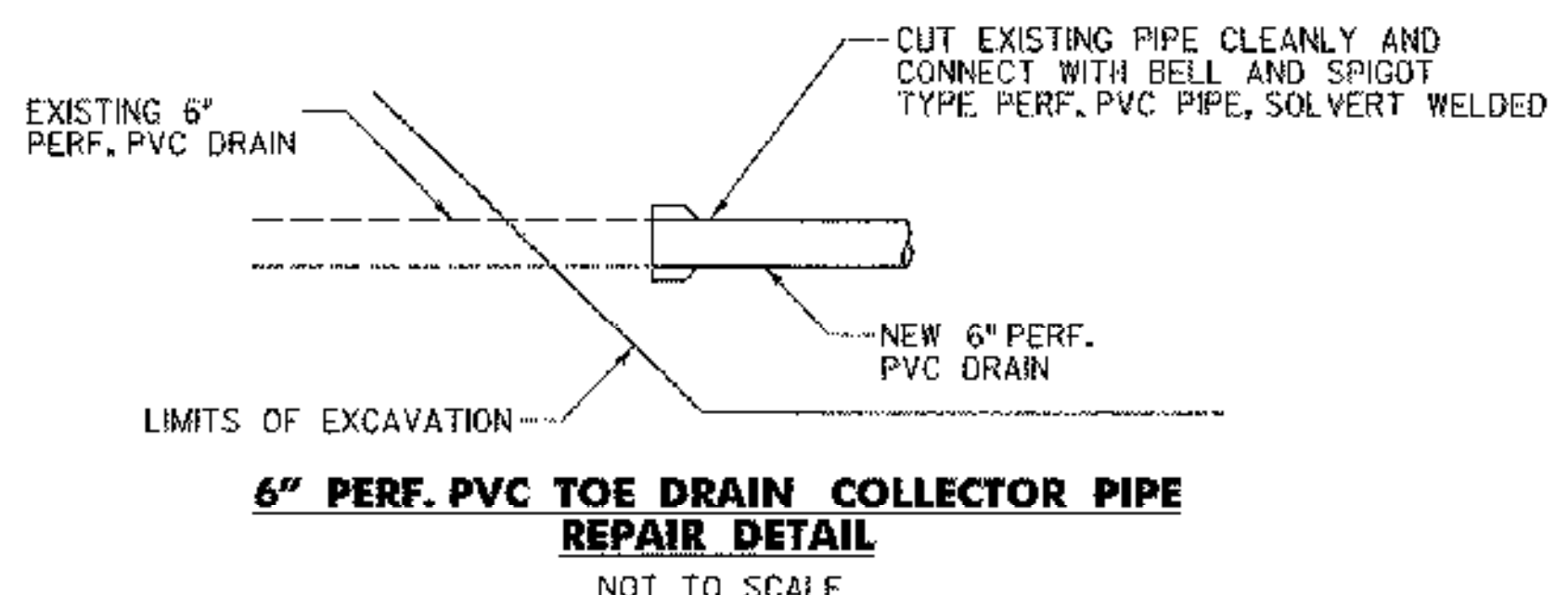
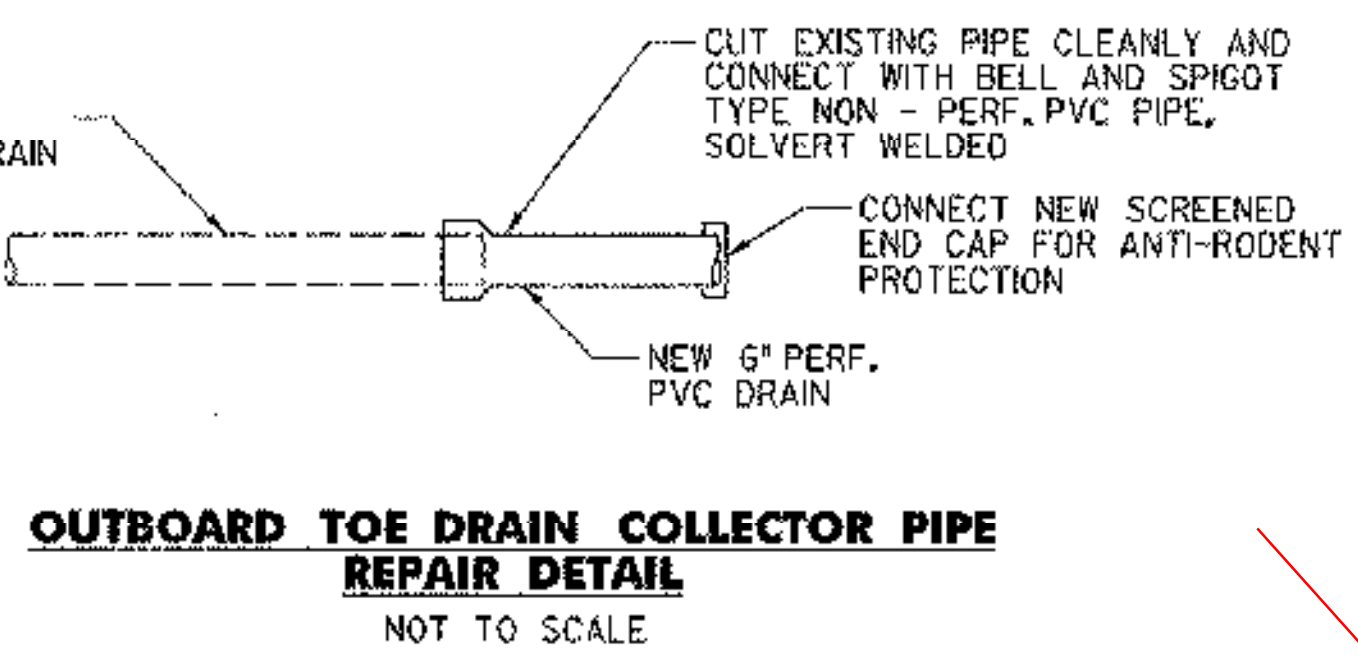
PLAN



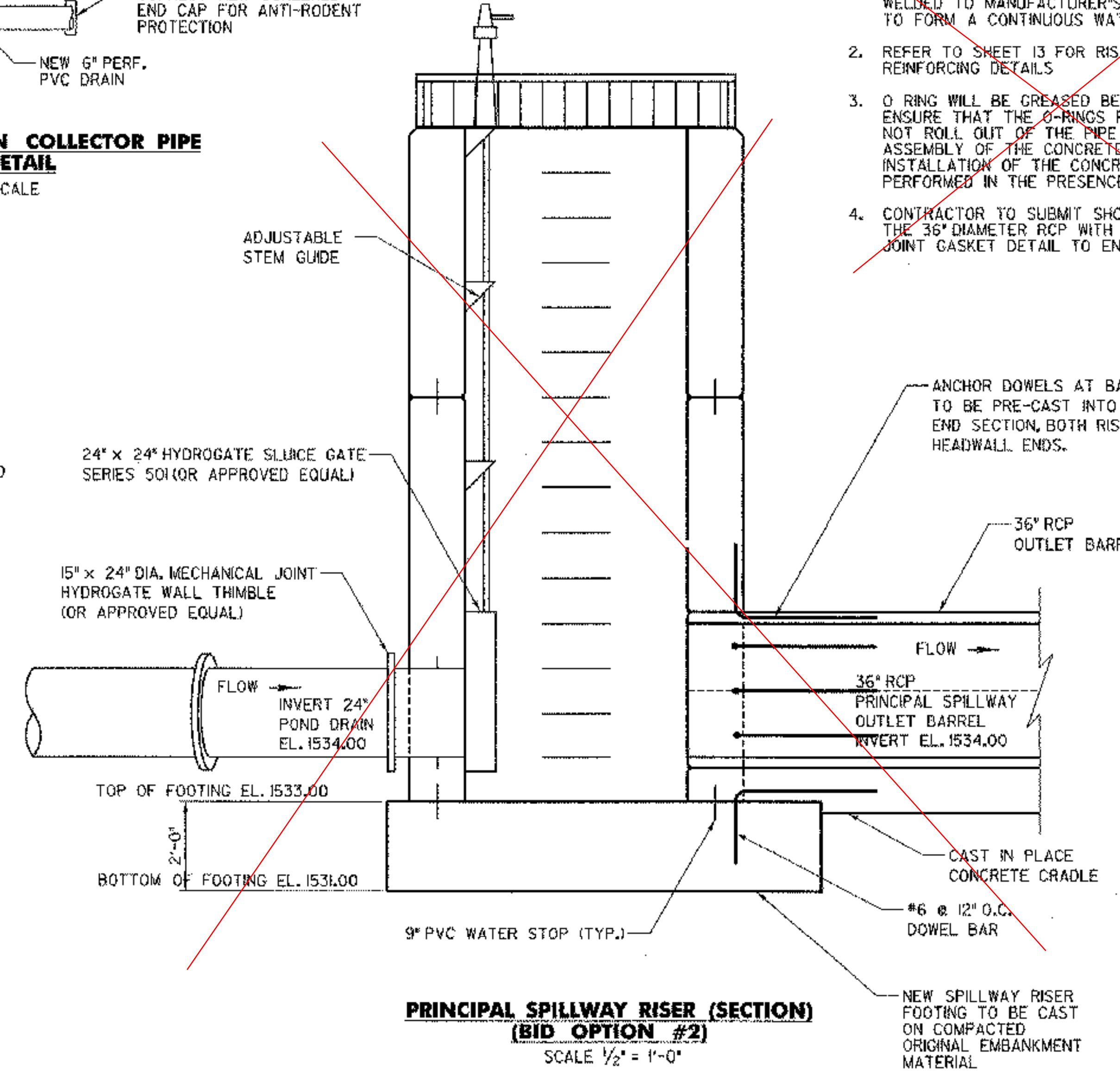
NEW 4' x 3' PRECAST BOX CULVERT (SECTION) (BID OPTION #4)
SCALE 1/2" = 1'-0"



SECTION STEEL GRATE (MOD. - TRASH RACK)
SCALE 3/4" = 1'-0"



TOE DRAIN CLEANOUT REPAIR DETAIL
NOT TO SCALE



- NOTE:**
- PVC WATERSTOP ALONG ALL JOINTS SHALL BE WELDED TO MANUFACTURER'S RECOMMENDATIONS TO FORM A CONTINUOUS WATERSTOP
 - REFER TO SHEET 13 FOR RISER & FOOTING REINFORCING DETAILS
 - O RING WILL BE GREASED BEFORE INSTALLATION. ENSURE THAT THE O-RINGS REMAIN IN AND DO NOT ROLL OUT OF THE PIPE GROOVE DURING THE ASSEMBLY OF THE CONCRETE PIPE SECTION. INSTALLATION OF THE CONCRETE PIPE WILL BE PERFORMED IN THE PRESENCE OF THE ENGINEER.
 - CONTRACTOR TO SUBMIT SHOP DRAWINGS OF THE 36" DIAMETER RCP WITH ALL ANCHOR AND JOINT GASKET DETAIL TO ENGINEER FOR APPROVAL.

DATUM	ASSUMED
VERTICAL	ASSUMED
HORIZONTAL	NAD 83

PLOTTED 06/16/2003

NO.	DATE	REVISIONS	BY	CHK'D

DuBois & King INC.
engineering planning management development

TOWN OF WARREN
WARREN, VERMONT
BLUEBERRY LAKE DAM
REHABILITATION PROJECT
MISCELLANEOUS DETAIL SHEET

DRAWN BY	EBS	DATE	MAY 2003
CHECKED BY		PROJ. NO.	R16663
PROJ. ENG.		DRAW. NO.	#310
SHEET 21		OF 24	