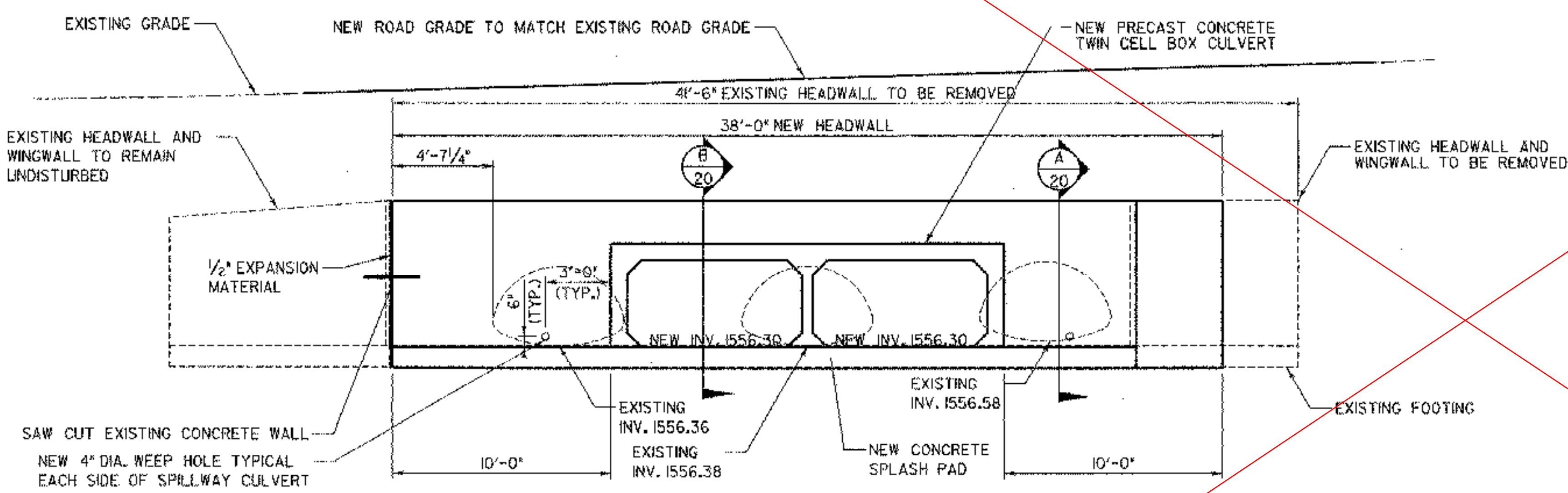
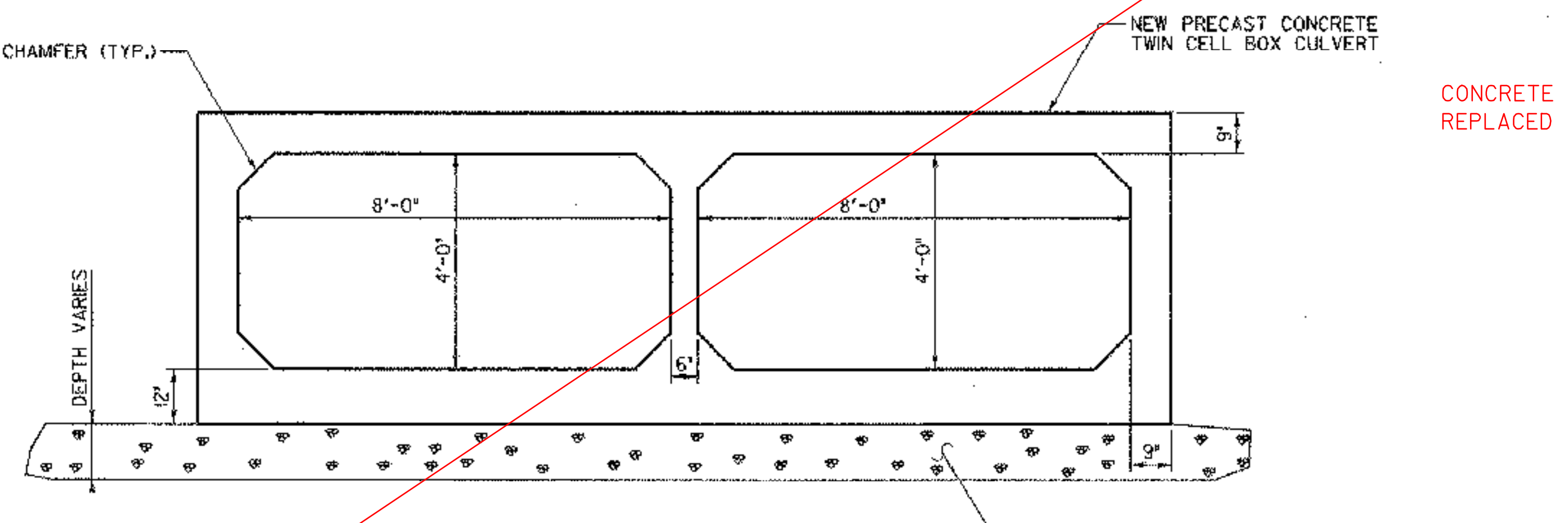


**EMERGENCY SPILLWAY UPSTREAM (ELEVATION)**  
SCALE 1/4" = 1'-0"

- NOTES**
1. EXISTING 72" x 44" ACCMP CULVERTS TO BE REMOVED
  2. EXISTING 15" ACCMP CULVERT TO BE REMOVED



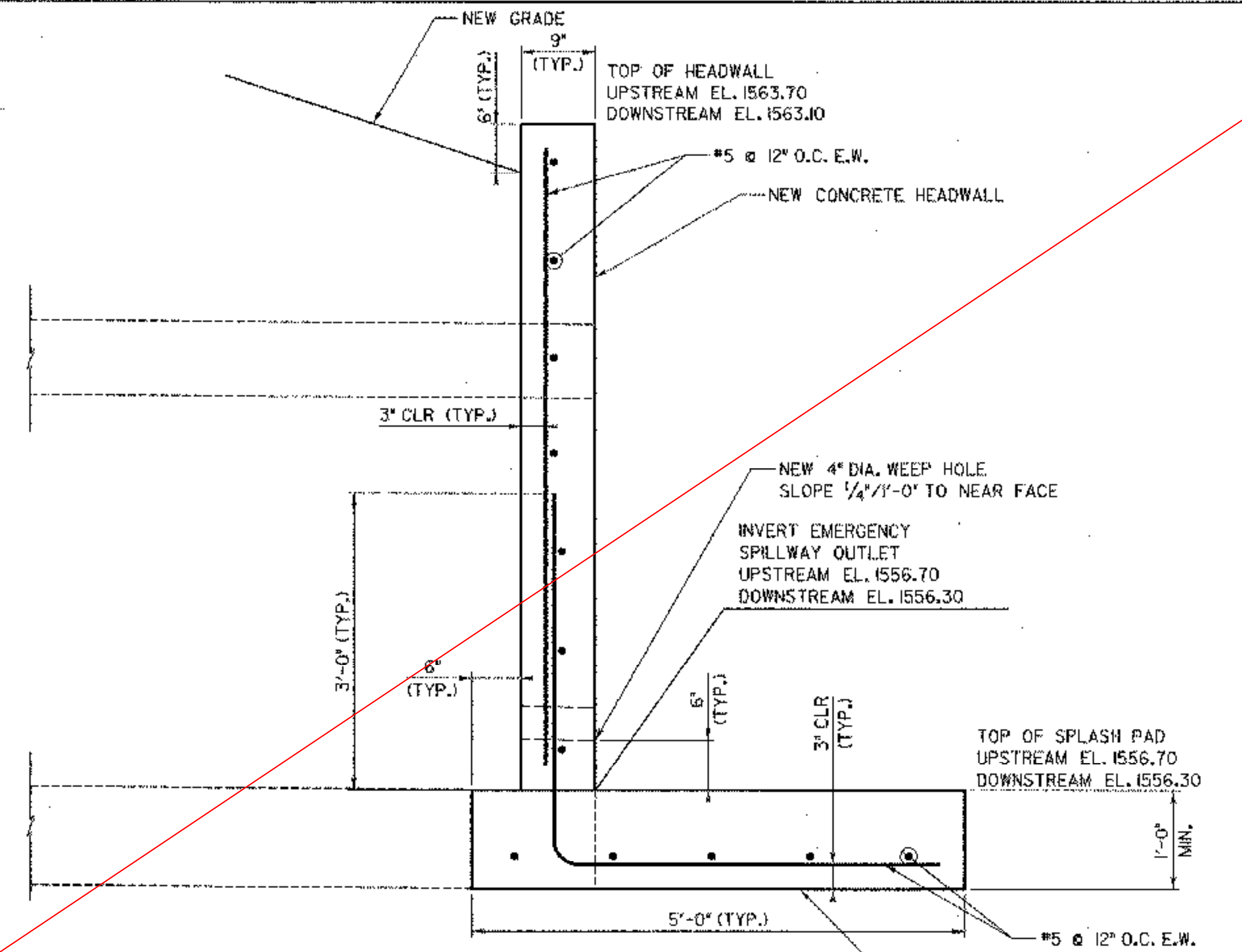
**EMERGENCY SPILLWAY DOWNSTREAM (ELEVATION)**  
SCALE 1/4" = 1'-0"



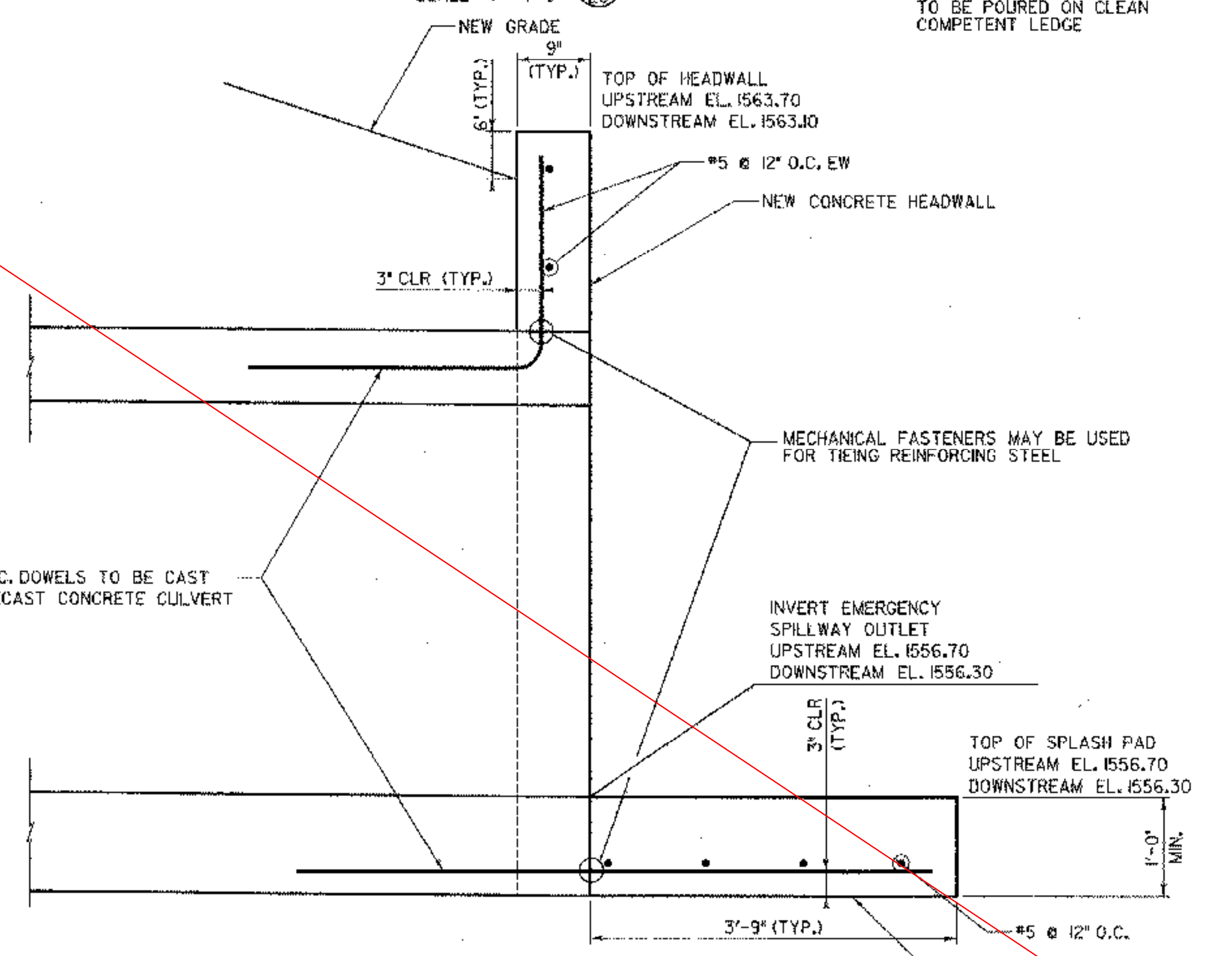
**EMERGENCY SPILLWAY OUTLET (SECTION)**  
SCALE 1/8" = 1'-0"

CONCRETE CULVERT NOT USED  
REPLACED BY 71" X 47" CGMP

#5 @ 12" O.C. DOWELS TO BE CAST  
IN THE PRECAST CONCRETE CULVERT



**SECTION A-A**  
SCALE 1" = 1'-0"

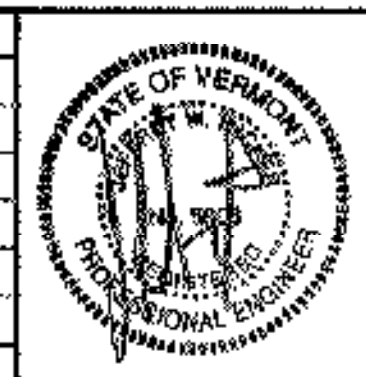


**SECTION B-B**  
SCALE 1" = 1'-0"

DATUM	ASSUMED
VERTICAL	NAD 83
HORIZONTAL	

PLOTTED 05/21/2003

NO.	DATE	REVISIONS	BY	CHK'D



**DuBois & King**  
INC.  
engineering planning management development

TOWN OF WARREN  
WARREN, VERMONT  
BLUEBERRY LAKE DAM  
REHABILITATION PROJECT  
EMERGENCY SPILLWAY ELEVATION  
AND DETAILS SHEET

DRAWN BY	EBS	DATE	MAY 2003
CHECKED BY	[Signature]	PROJ. NO.	R16663
PROJ. ENG.	SRP	DRAW. NO.	11309
SHEET			20 OF 24