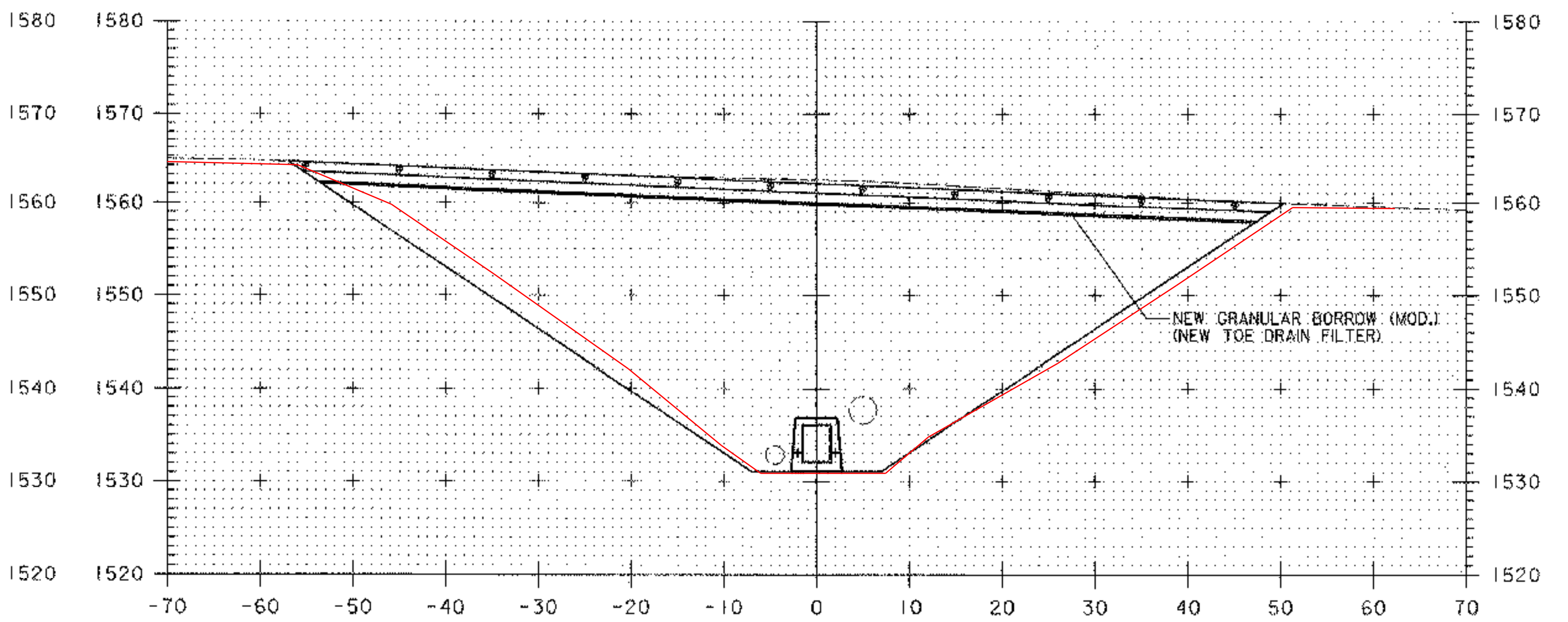
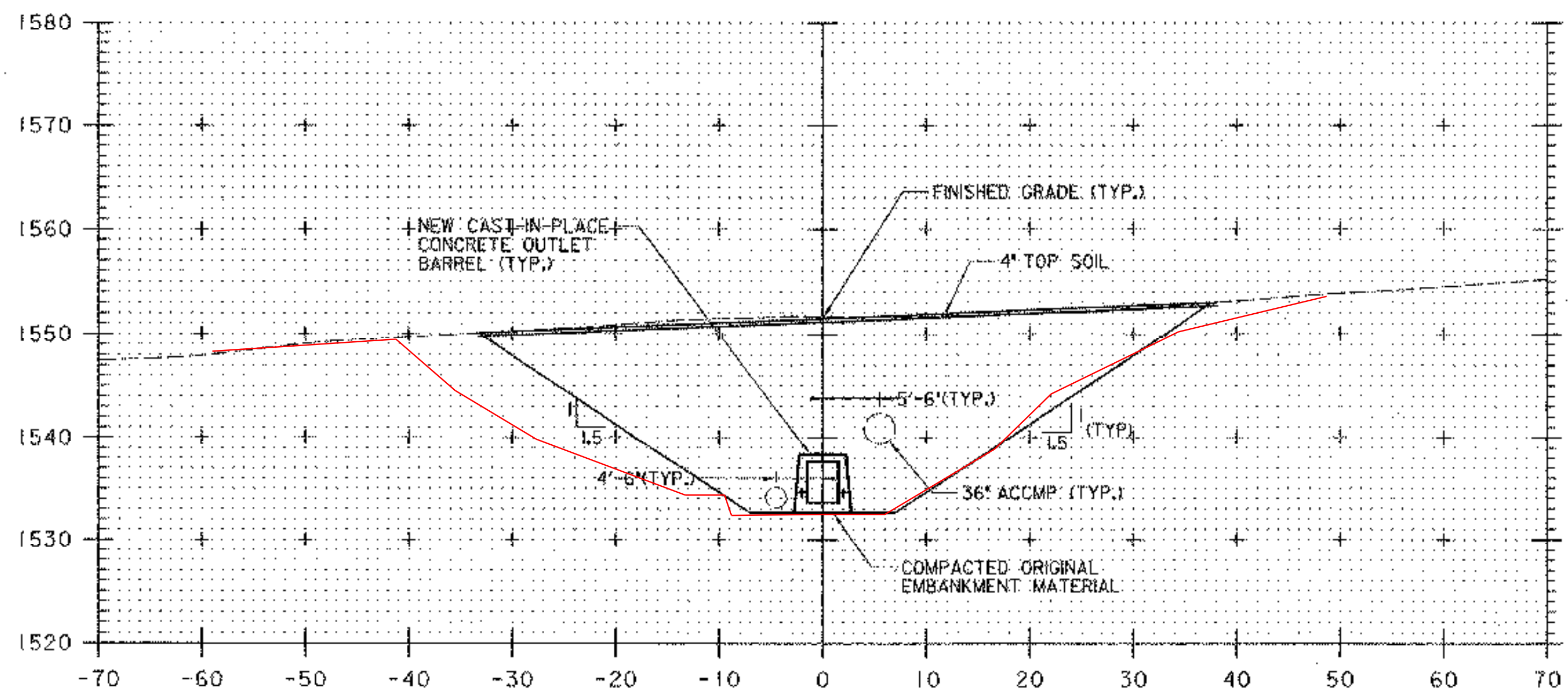


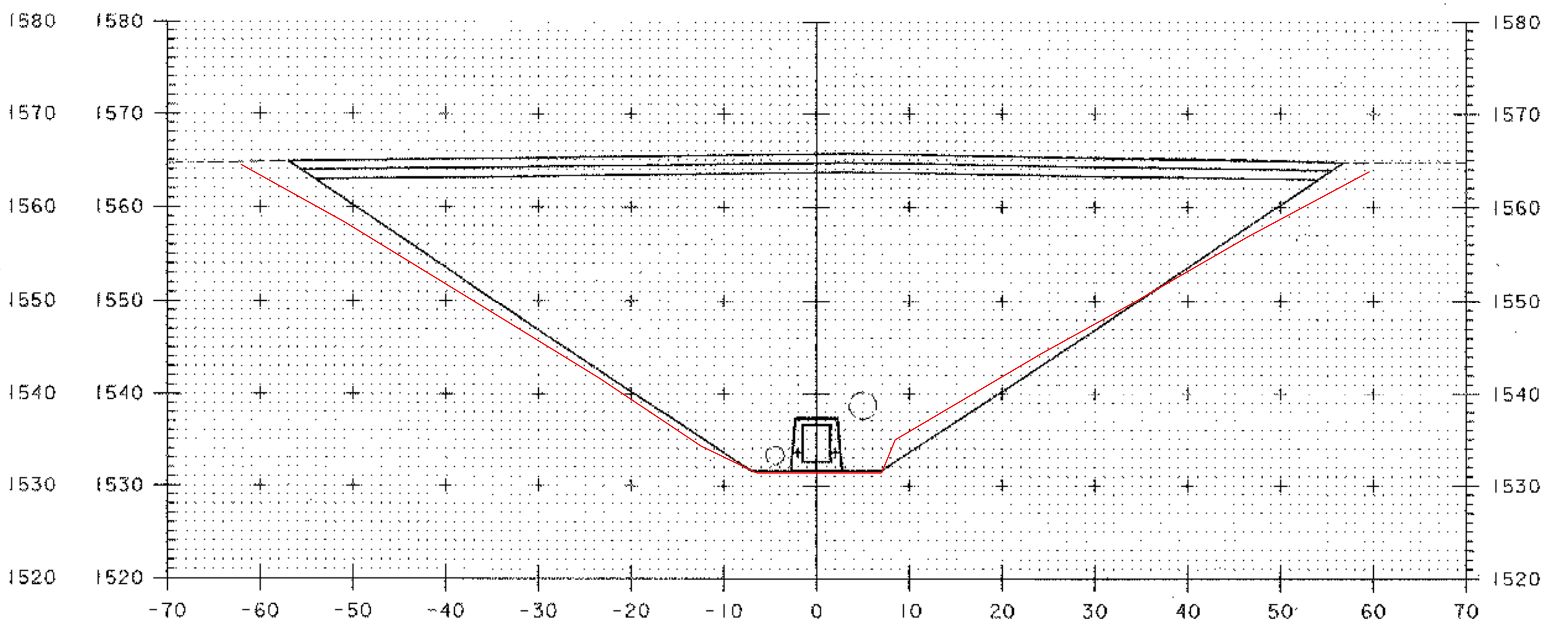
101+25



101+75



101+00



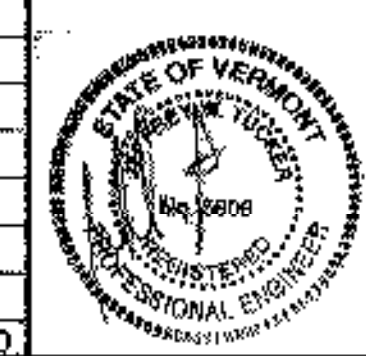
101+50

DATUM
 VERTICAL ASSUMED
 HORIZONTAL NAD 83

SCALE 1" = 10'-0"

PLOTTED 05/21/2003

NO.	DATE	REVISIONS	BY	CHK'D



DuBois & King
 INC.
 engineering planning management development

TOWN OF WARREN
 WARREN, VERMONT
 BLUEBERRY LAKE DAM
 REHABILITATION PROJECT
 PRINCIPAL SPILLWAY CROSS SECTIONS

DRAWN BY SSB	DATE MAY 2003
CHECKED BY JW	PROJECT NO. R16663
PROJ. ENG. SRP	DRAW. NO. 11306
SHEET 17 OF 24	