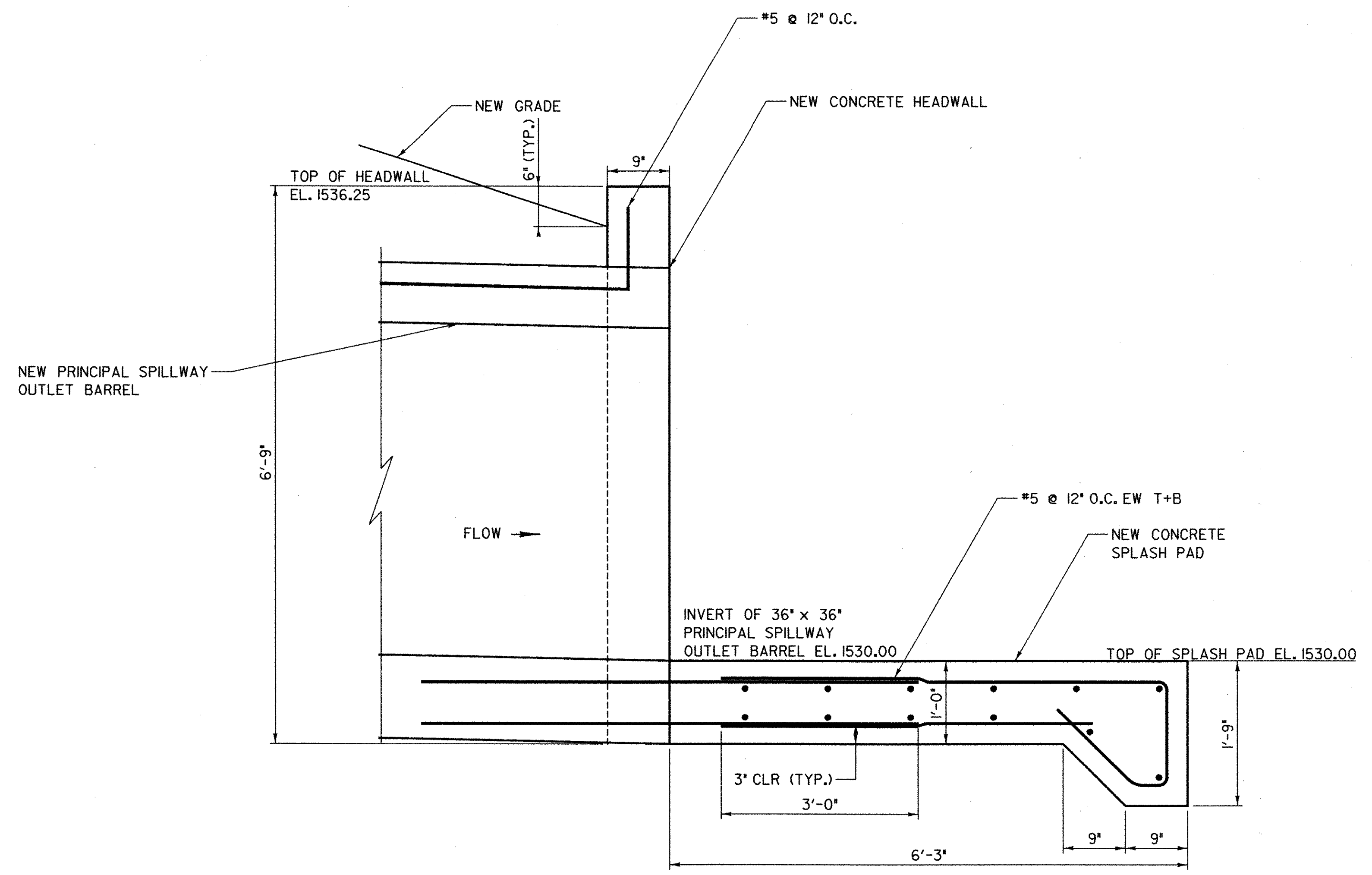


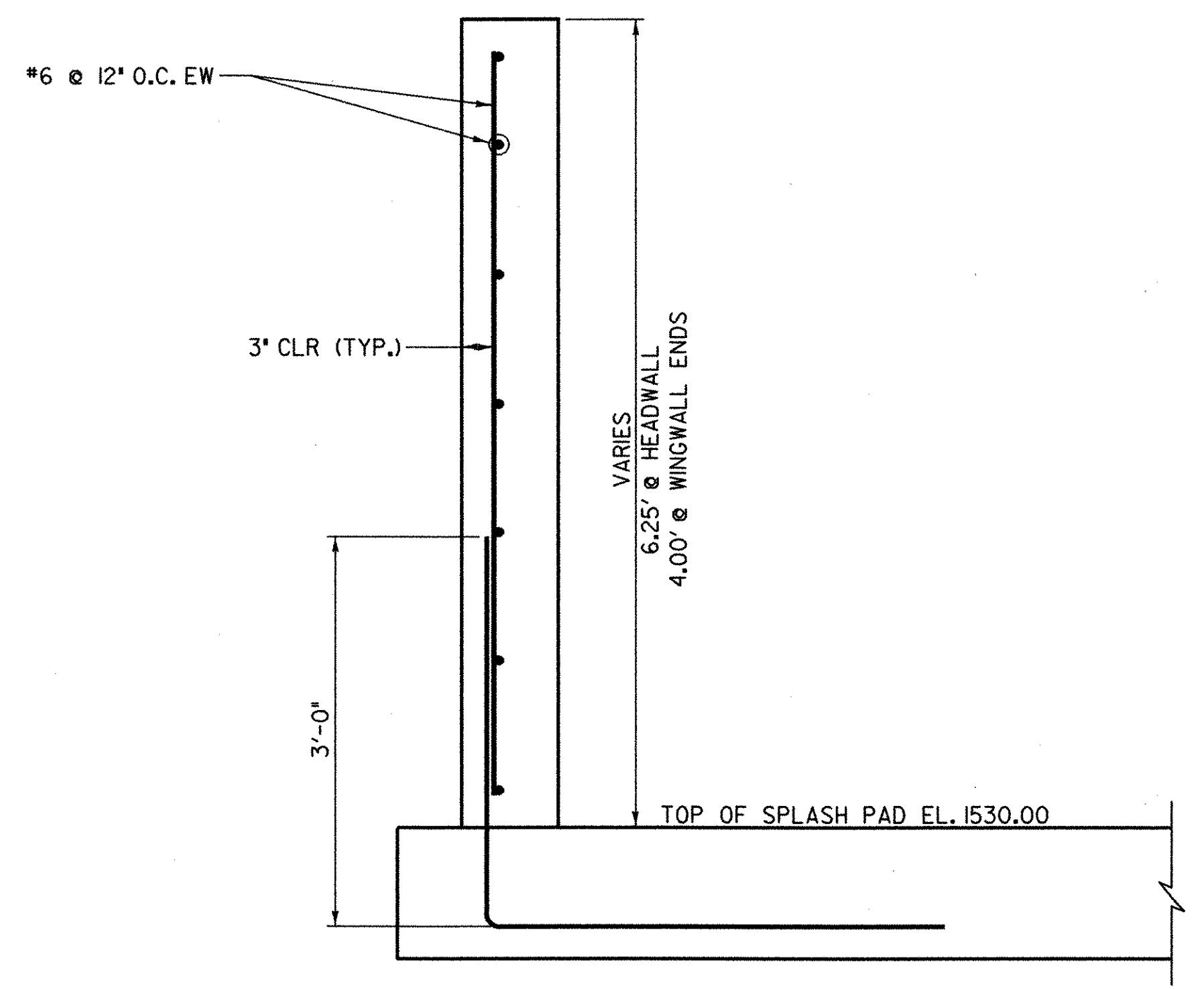
PRINCIPAL SPILLWAY OUTLET (PLAN)

SCALE 1" = 1'-0"



PRINCIPAL SPILLWAY OUTLET (SECTION)

SCALE 1" = 1'-0"



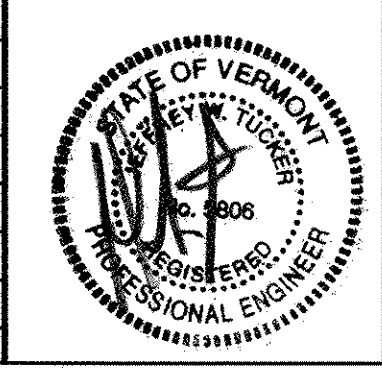
PRINCIPAL SPILLWAY OUTLET WINGWALL (SECTION)

SCALE 1" = 1'-0"

DATUM	
VERTICAL	ASSUMED
HORIZONTAL	NAD 83

PLOTTED 05/21/2003

NO.	DATE	REVISIONS	BY	CK'D



DuBois & King, Inc.
 engineering planning management development

TOWN OF WARREN
 WARREN, VERMONT
 BLUEBERRY LAKE DAM
 REHABILITATION PROJECT
 PRINCIPAL SPILLWAY OUTLET
 HEADWALL DETAIL SHEET

DRAWN BY	ASJ	DATE	MAY 2003
CHECKED BY	JWT	PROJ. NO.	R16663
PROJ. ENG.	SRP	DRAW. NO.	11301
SHEET 15		OF 24	

C:\WORK\B2597\PC_DRAWING\05/21/2003 11:12:49 AM