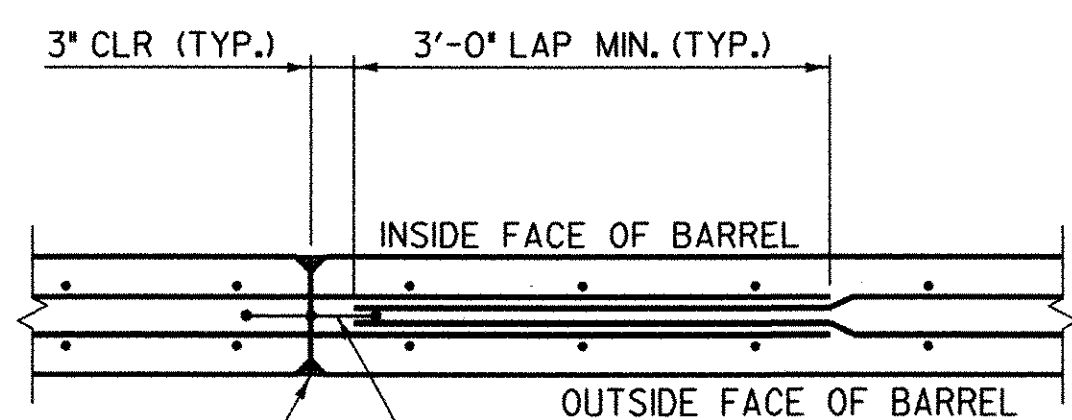


ALL EXTERIOR CONSTRUCTION JOINTS TO BE SEALED WITH *SIKAFLEX -1a* OR APPROVED EQUAL (TYP.) TO BE PAID SUBSIDIARY TO ITEM 501.25 *CONCRETE, CLASS B* (TYPICAL FOR RISER SECTION AT JOINT)

NEW OUTLET BARREL TO BE CAST ON COMPACTED ORIGINAL EMBANKMENT MATERIAL

OUTLET BARREL SECTION (LAYOUT)

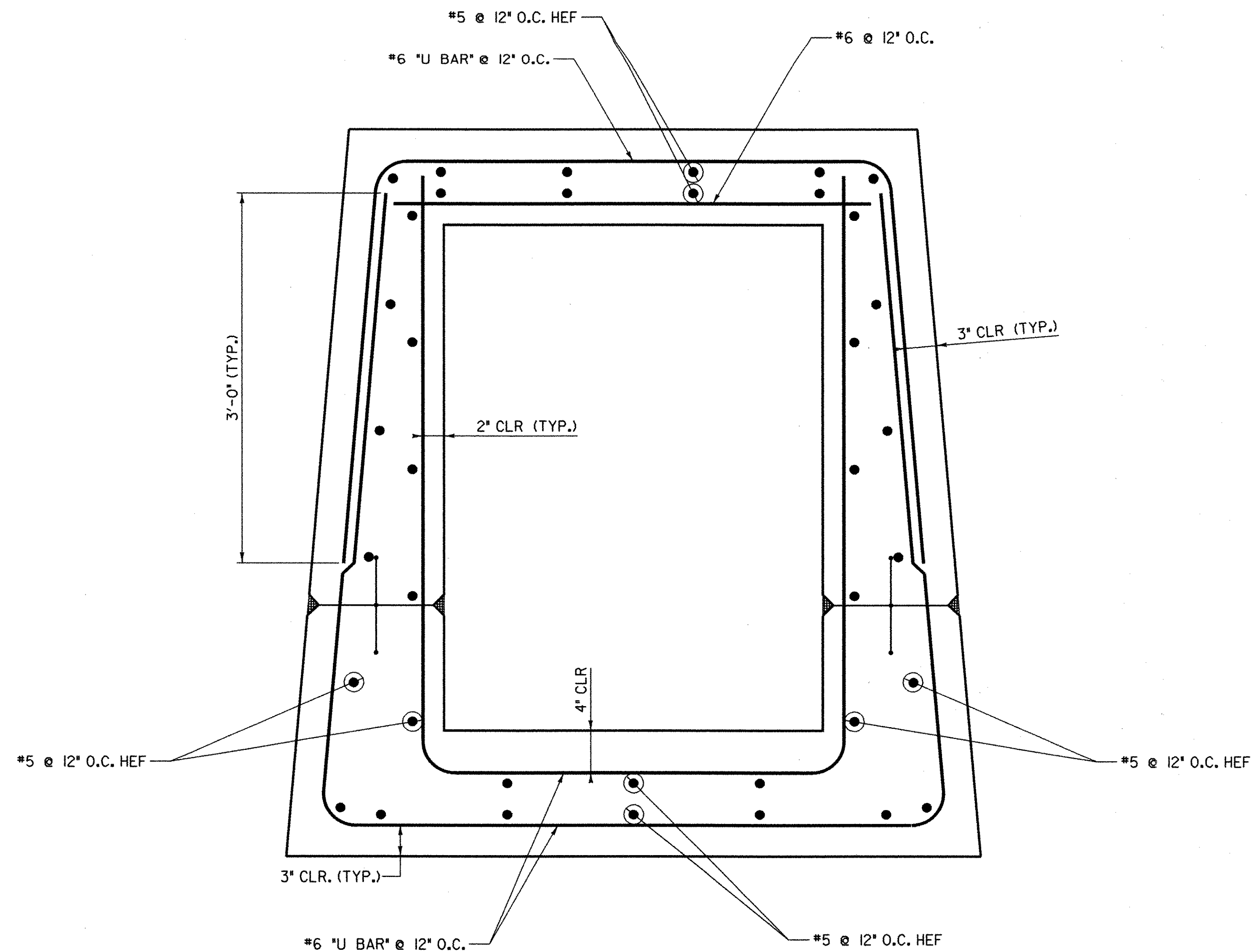
SCALE 1/2" = 1'-0"



ALL EXTERIOR CONSTRUCTION JOINTS TO BE SEALED WITH *SIKAFLEX -1a* OR APPROVED EQUAL (TYP.)

TYPICAL CONSTRUCTION JOINT

NOT TO SCALE



OUTLET BARREL SECTION (REINFORCING)

SCALE 1/2" = 1'-0"

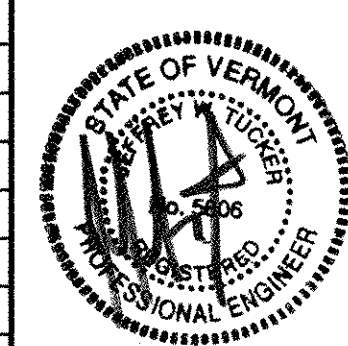
REINFORCING LEGEND

EW = EACH WAY
 HEF = HORIZONTAL EACH FACE
 VEF = VERTICAL EACH FACE
 T+B = TOP AND BOTTOM
 CLR = CLEAR COVER

C
 J = CONSTRUCTION JOINT

DATUM
 VERTICAL ASSUMED
 HORIZONTAL NAD 83

NO.	DATE	REVISIONS	BY	CK'D



DuBois & King Inc.
 engineering planning management development

TOWN OF WARREN
 WARREN, VERMONT
 BLUEBERRY LAKE DAM
 REHABILITATION PROJECT
 PRINCIPAL SPILLWAY
 OUTLET BARREL DETAIL SHEET

DRAWN BY	DATE
EBS	MAY 2003
CHECKED BY	PROJ. NO.
JWT	RI6663
PROJ. ENG.	DRAW. NO.
SRP	11303
SHEET	14 OF 24

PLOTTED 05/21/2003

05/21/2003 11:42:03 AM