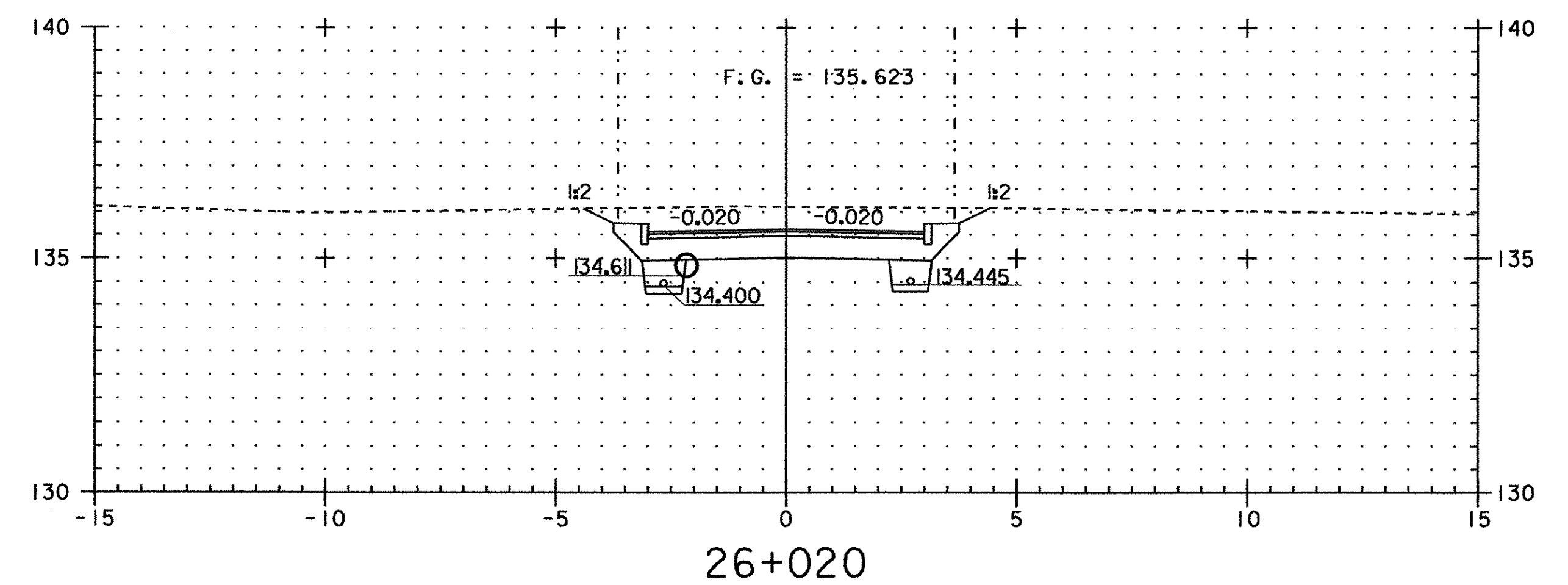
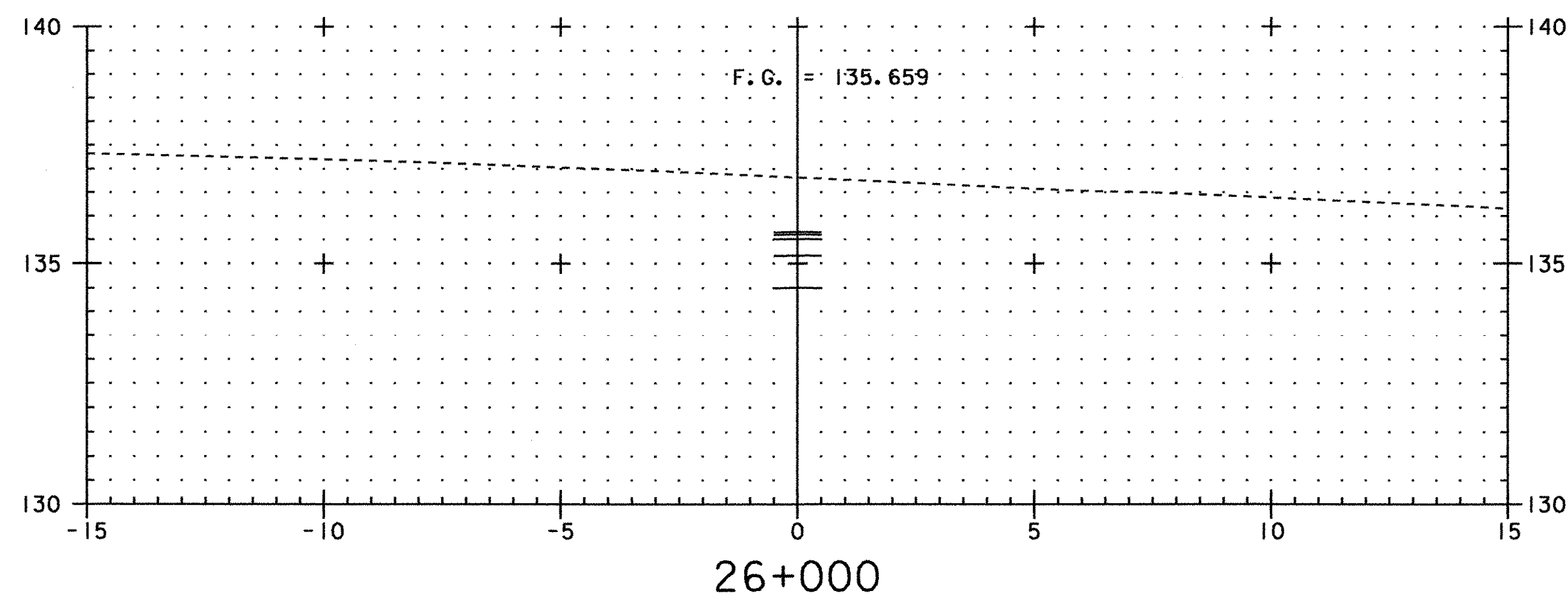
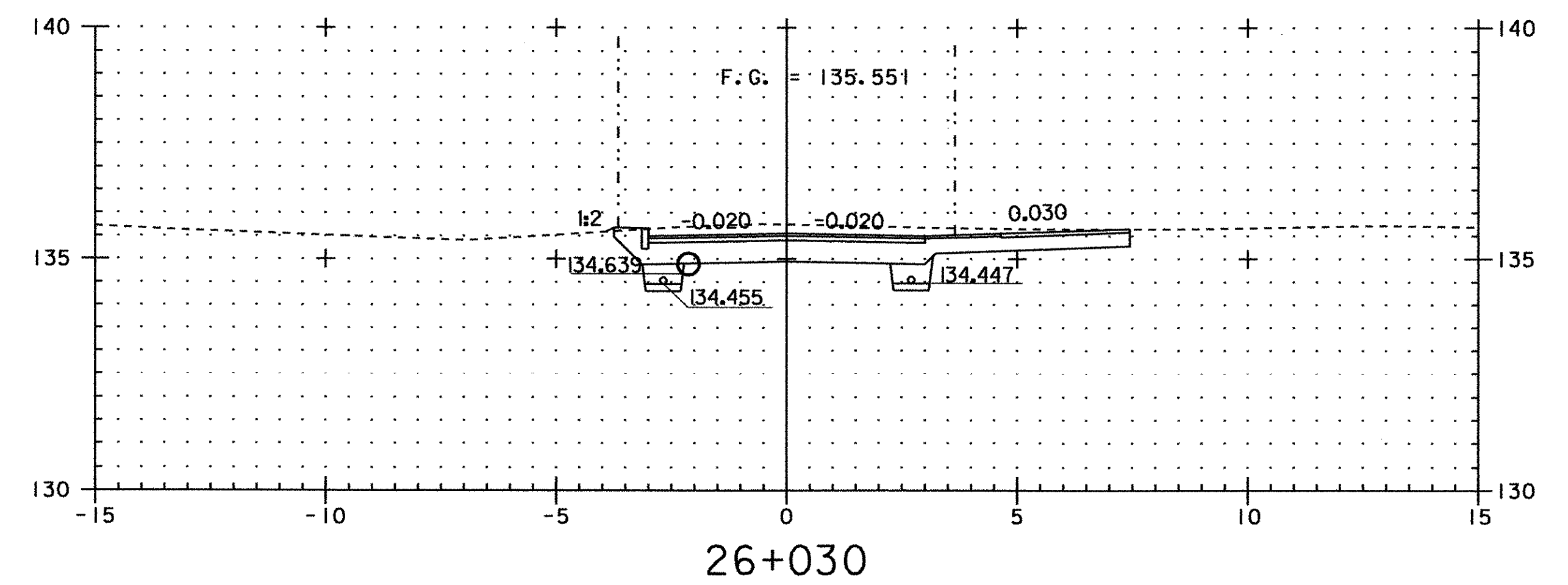
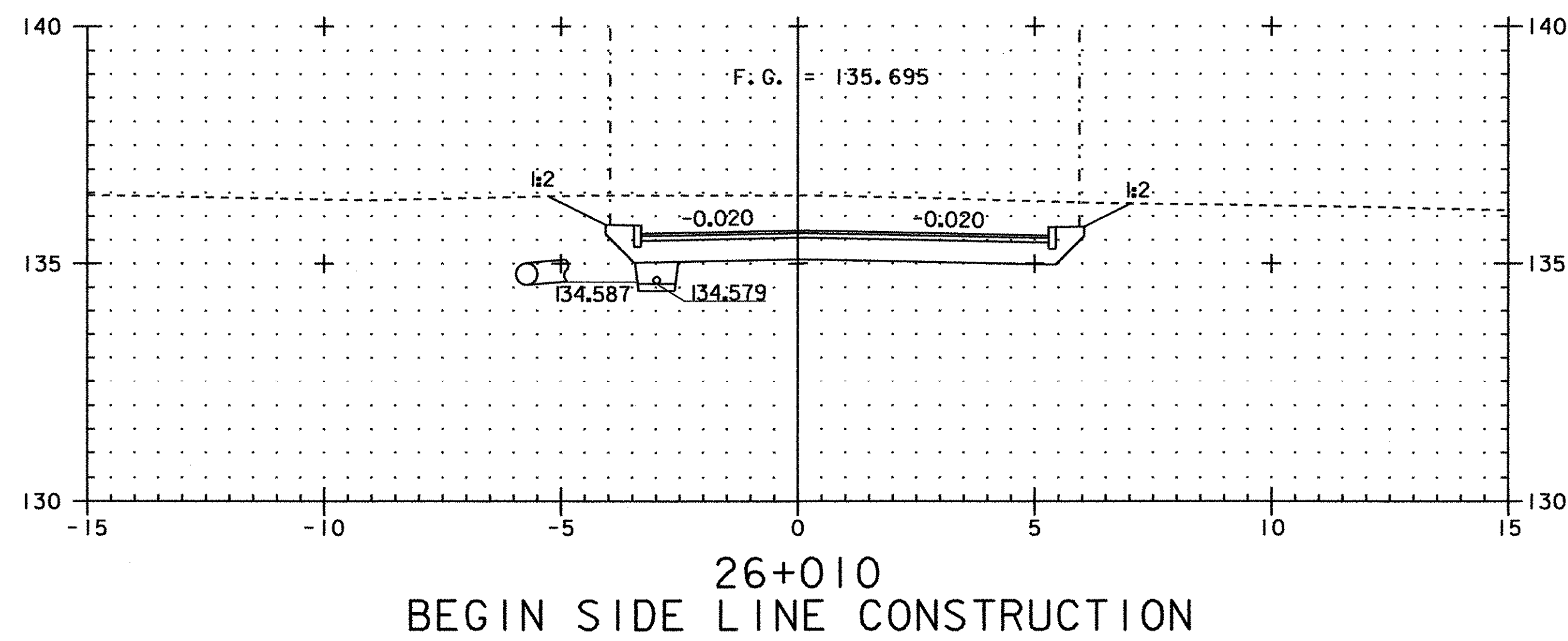
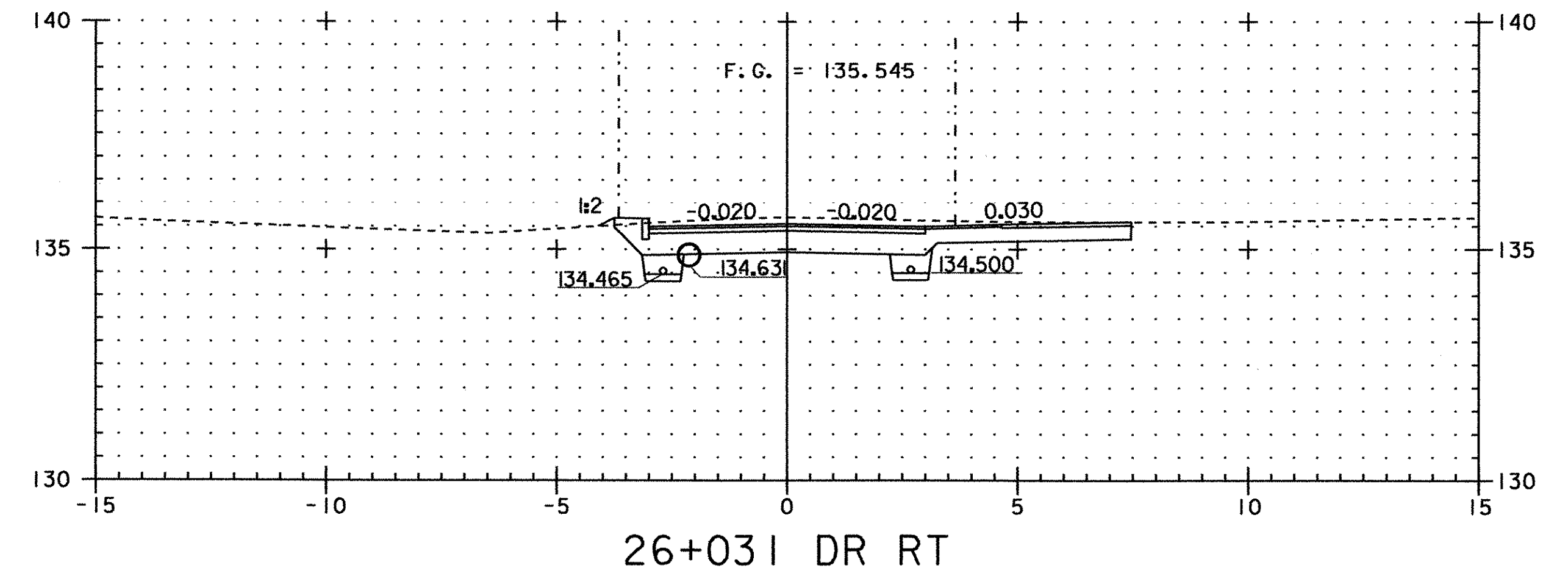
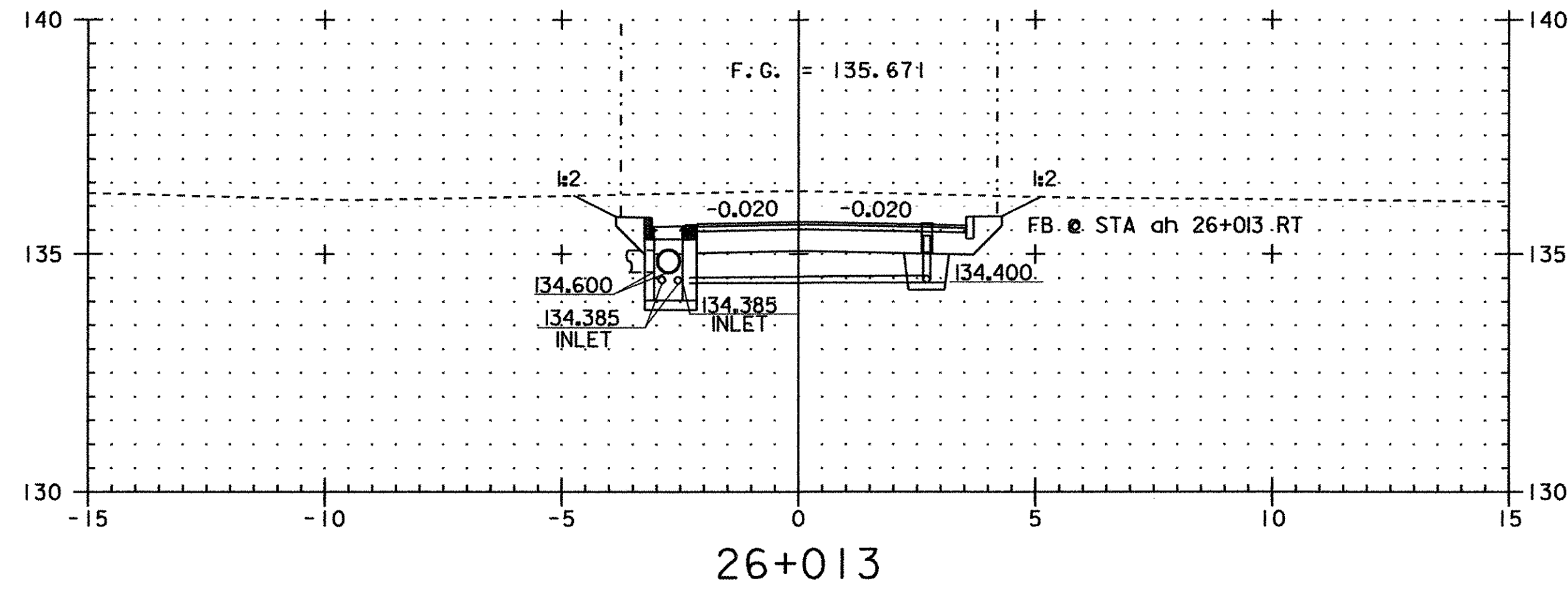


TH #16 SECTIONS



PROJECT NAME:	FRANKLIN	PROJECT NUMBER:	STP 0301(18)
FILE NAME:	...85c060\design\dc060x12.dgn	PLOT DATE:	20-MAR-2003
PROJECT LEADER:	DELLASANTA	DRAWN BY:	SQUAD B
DESIGNED BY:	SQUAD B	CHECKED BY:	SQUAD B
IPARM FILE NAME:	(2)dc060x12.1	SHEET	56 OF 60