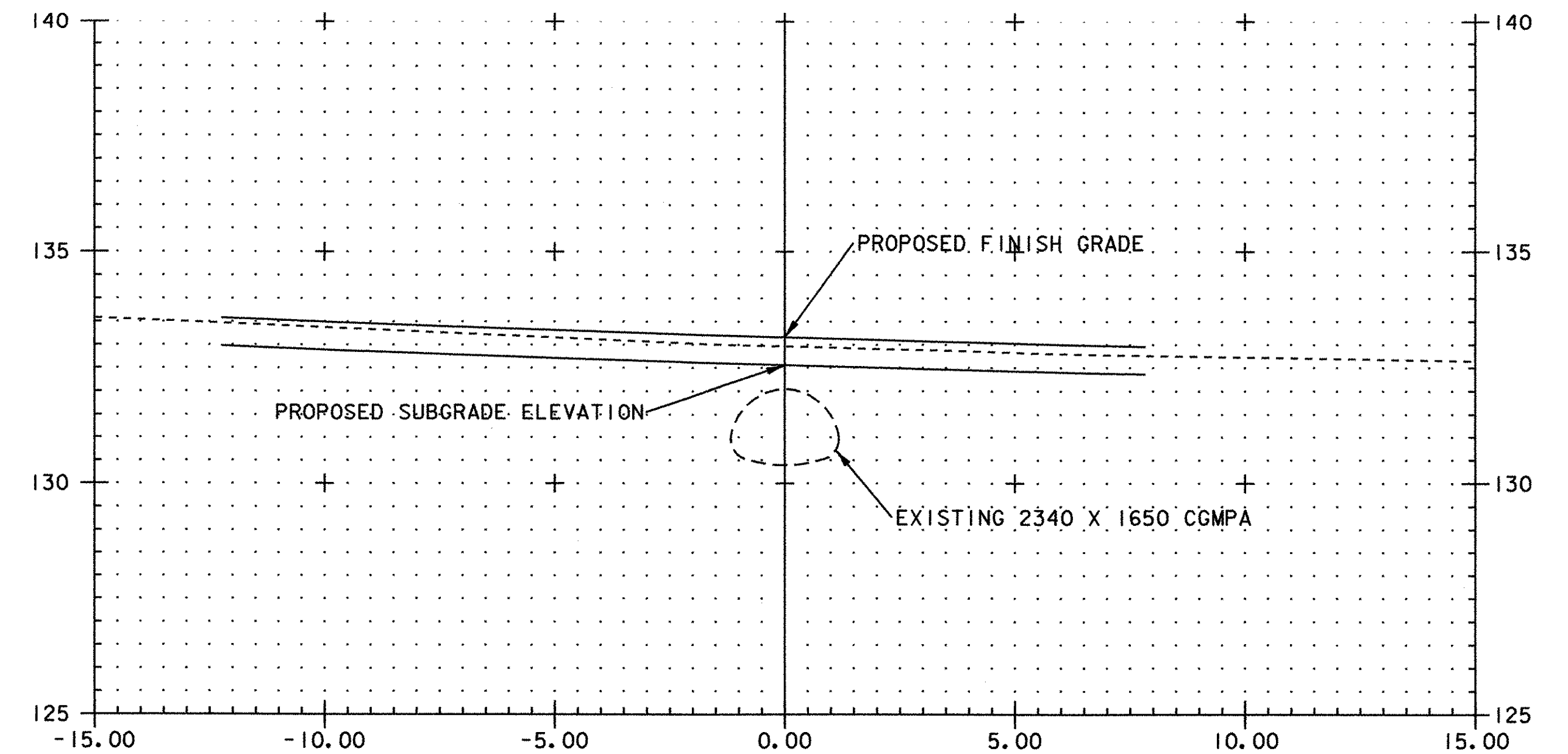
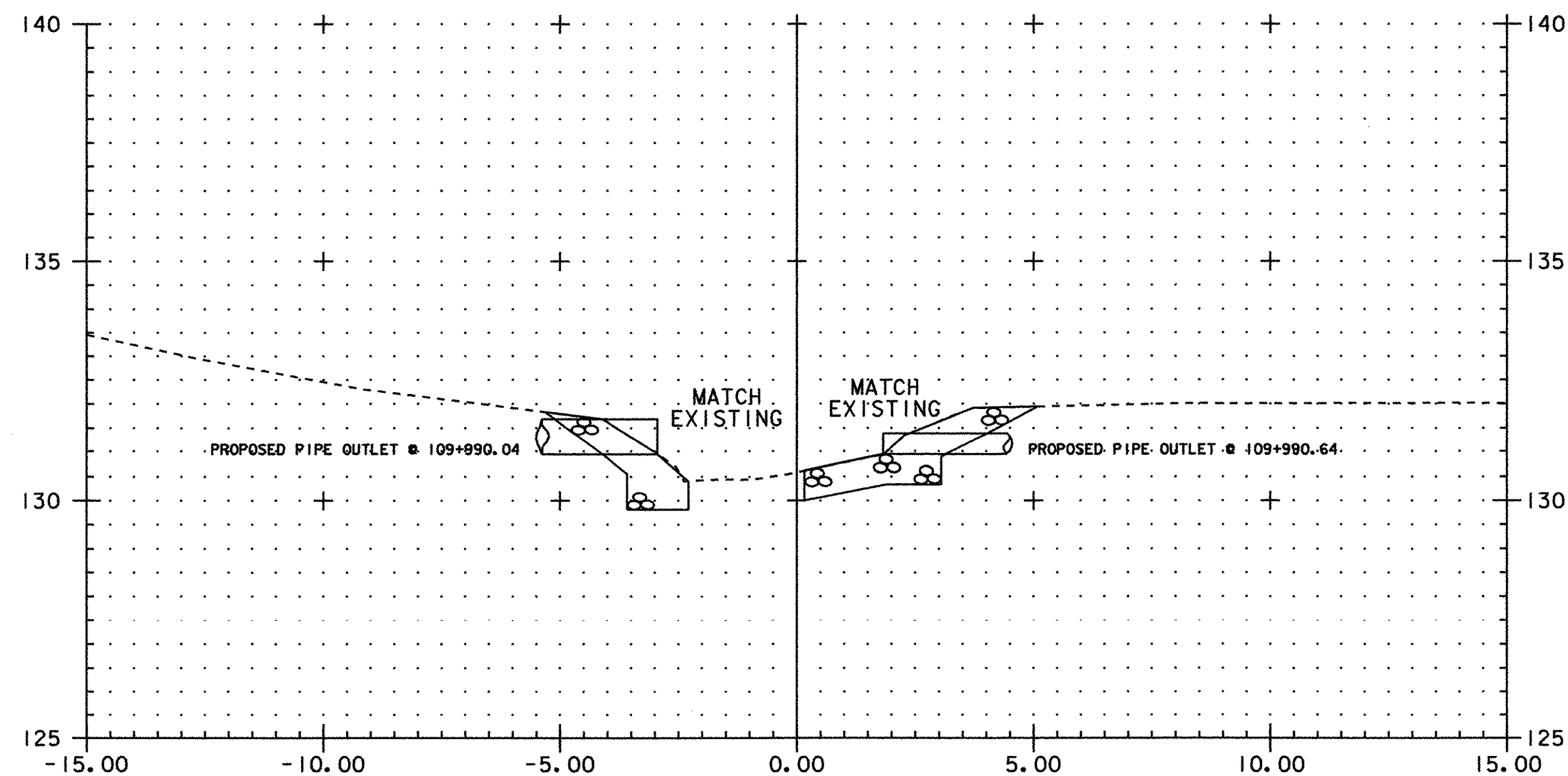


109+992.15

STA 109+992.16 END GRUBBING MATERIAL

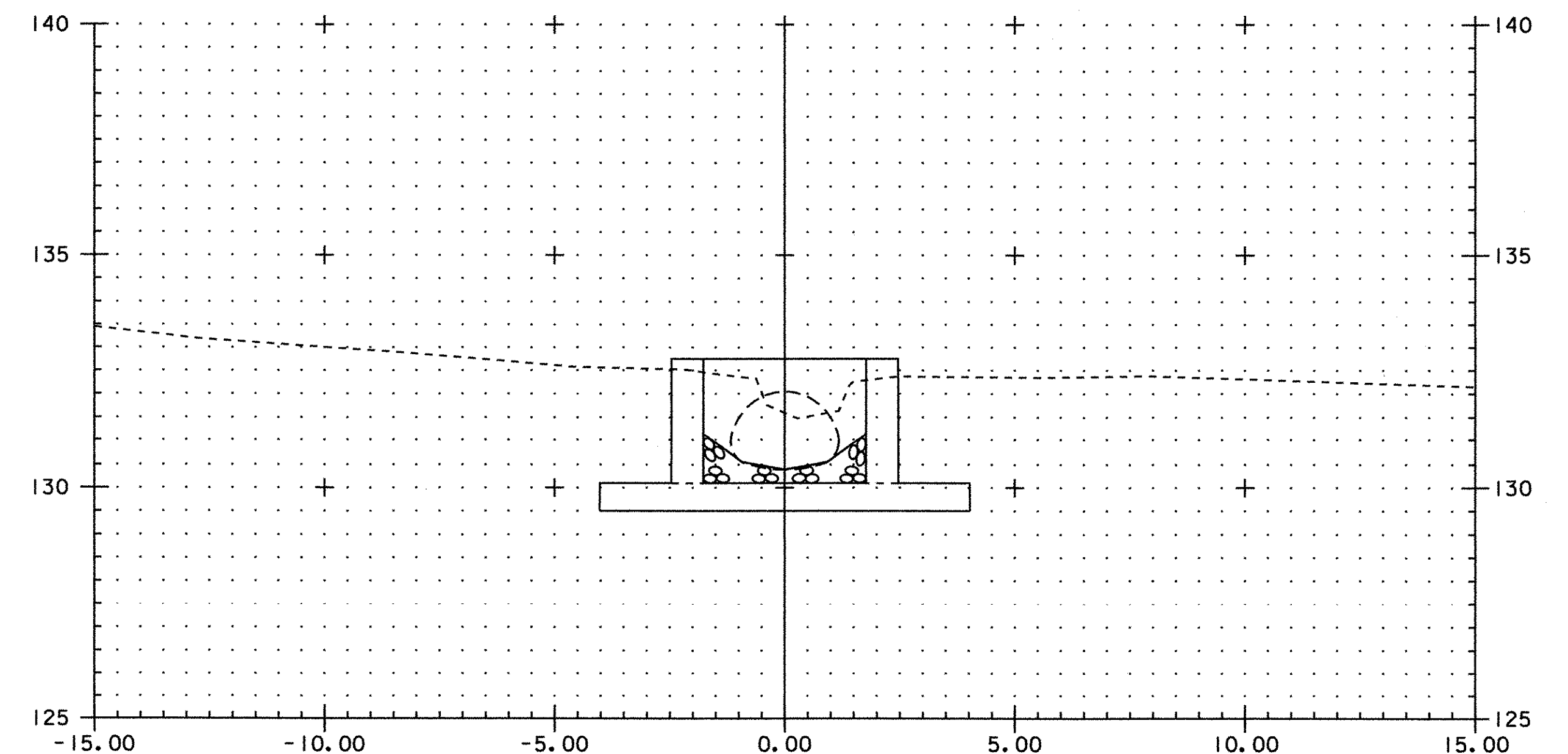


110+000.00



109+990.00

BEGIN TYPE II STONE FILL W/GEOTEXTILE UNDER STONE FILL AND GRUBBING MATERIAL



109+993.44

STA 109+993.43 END TYPE II STONE FILL
STA 109+992.98 END GEOTEXTILE UNDER STONE FILL

PIPE STA. 15+282 - CHANNEL SECTIONS

PROJECT NAME: FRANKLIN
PROJECT NUMBER: STP 0301(18)

FILE NAME: /85c060/str/s85c060xs.dgn PLOT DATE: 21-MAR-2003
PROJECT LEADER: S. FARNSWORTH DRAWN BY: R. PELLETT
DESIGNED BY: M. FOWLER CHECKED BY: G. SPILAK
sc060xsl5282.1 SHEET 27 OF 60

