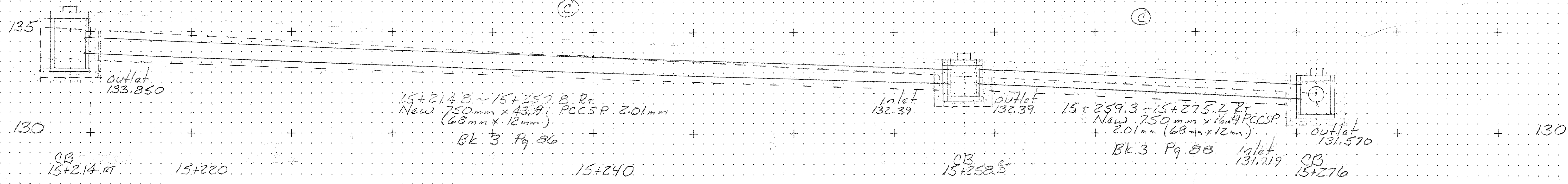


ITEM 204.20 TRENCH EXC.	ITEM 204.30 GRAN. BACKFILL FOR STRUCTURES
CATCH BASIN @ 15+214.8 RT DEPTH 0-1.5M 1.5 x 2.03 x 2.03 = 12.01M ³ DEPTH OVER 1.5M 0.77 x 2.03 x 2.03 = 6.17M ³ PIPE @ 15+214.8 - 15+257.8 RT DEPTH 0-1.5M 1.04 x 2.05 x 41.5 = 92.73M ³ DEPTH OVER 1.5M NONE	CATCH BASIN DEPTH 0-1.5M 1.20 x (1.5 x 0.9) = 8.1M ³ DEPTH OVER 1.5M 0.17 x (1.5 x 0.9) = 1.35M ³ PIPE 1.04 x 1.65 x 41.5 = 72.43M ³ DEPTH OVER 1.5M NONE
6.17 x 1.5 = 9.26 92.73 Total 114.00	Total 85.49

Bk 3 Pg 87

ITEM 204.20 TRENCH EXC.	ITEM 204.30 GRAN. BACKFILL
CATCH BASIN @ 15+259.3 RT DEPTH 0-1.5M 1.5 x 2.03 x 2.03 = 12.01M ³ DEPTH OVER 1.5M NONE PIPE @ 15+259.3 - 15+275.2 RT DEPTH 0-1.5M 0.62 x 2.05 x 19.66 = 18.38M ³ DEPTH OVER 1.5M NONE	CATCH BASIN DEPTH 0-1.5 1.20 x (1.2 x 0.9) = 9.4M ³ PIPE DEPTH 0-1.5M 0.81 x 1.65 x 19.66 = 11.84M ³ DEPTH OVER 1.5M NONE
Total 31.17	Total 21.25

Bk 3 Pg 88

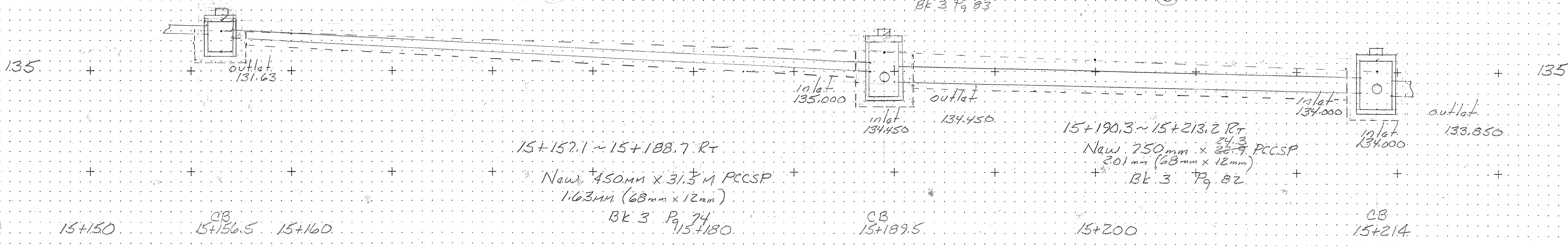


ITEM 204.20 TRENCH EXC.	ITEM 204.30 GRAN. BACKFILL FOR STRUCTURES
CATCH BASIN @ 15+156.5 RT DEPTH 0-1.5M 1.5 x 2.55 x 2.55 = 9.75M ³ DEPTH OVER 1.5M 1.2 x 2.55 x 2.55 = 7.8M ³ PIPE @ 15+156.5 - 15+188.7 RT DEPTH 0-1.5M 0.77 x 1.75 x 30.35 = 51.52M ³ DEPTH OVER 1.5M NONE	CATCH BASIN DEPTH 0-1.5 1.75 x (1.2 x 1.75) = 2.92M ³ DEPTH OVER 1.5M 1.2 x 2.55 x 2.55 = 7.8M ³ PIPE 1.52M ³ x 21.5 = 47.87M ³
0.78 x 1.5 = 9.25 51.52 Total 62.44	Total 57.69

Bk 3 Pg 75

ITEM 204.20 TRENCH EXC.	ITEM 204.30 GRAN. BACKFILL
CATCH BASIN @ 15+188.7 RT DEPTH 0-1.5 1.5 x 2.03 x 2.03 = 11.43M ³ DEPTH OVER 1.5M 1.16 x 2.03 x 2.03 = 8.63M ³ PIPE @ 15+188.7 - 15+213.2 RT DEPTH 0-1.5 1.5 x 2.05 x 21.5 = 66.11M ³ DEPTH OVER 1.5M 1.25 x 2.05 x 15.5 = 3.97M ³	CATCH BASIN DEPTH 0-1.5 1.93 x (1.85 x 0.9) = 8.03M ³ DEPTH OVER 1.5M 0.81 x (1.85 x 0.9) = 6.72M ³
11.93 8.63 x 1.5 = 13.25 66.11 3.97 x 1.5 = 5.96 Total 97.25	14.75 26.12 Total 74.87

Bk 3 Pg 83



PROJECT: FRANKLIN	PROJECT NO.: STP 0301(18)
DESIGN FILE NAME:	PLOT DATE: 01-MAY-1996
IPARM FILE NAME:	SHEET: 4 OF 6
069	