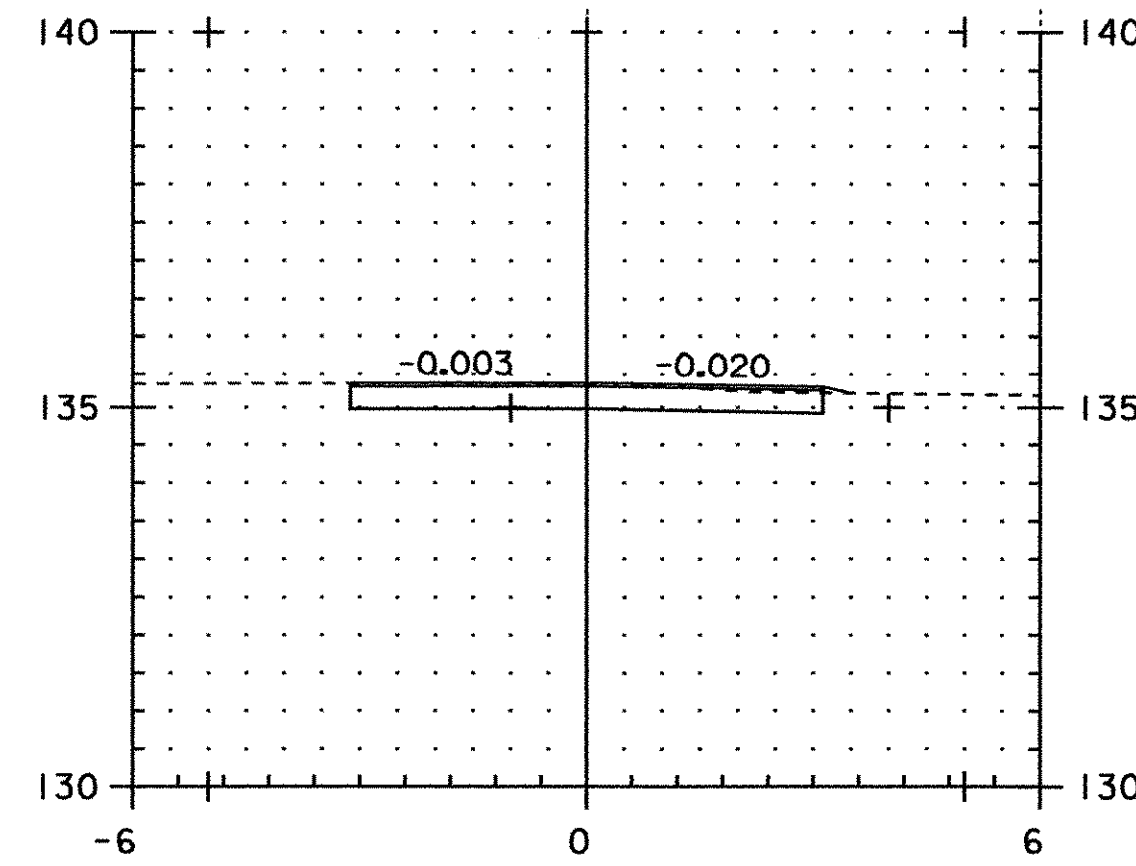
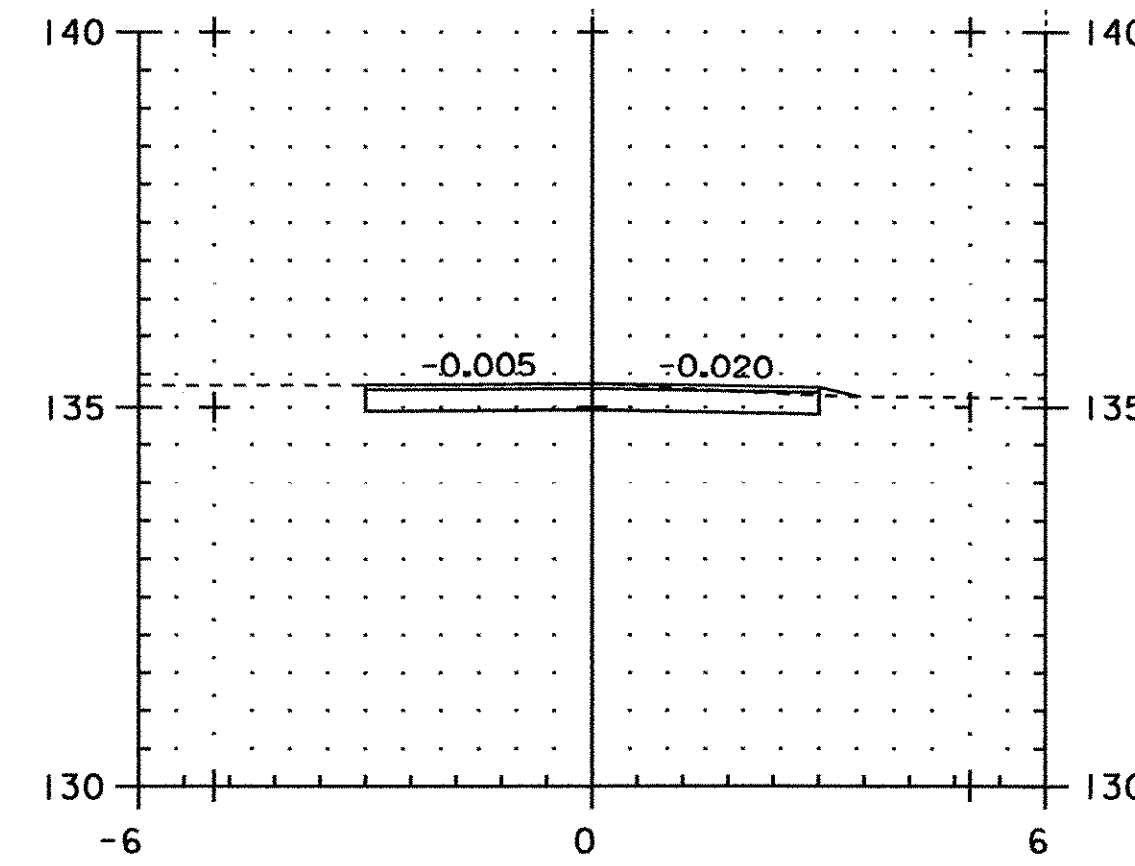


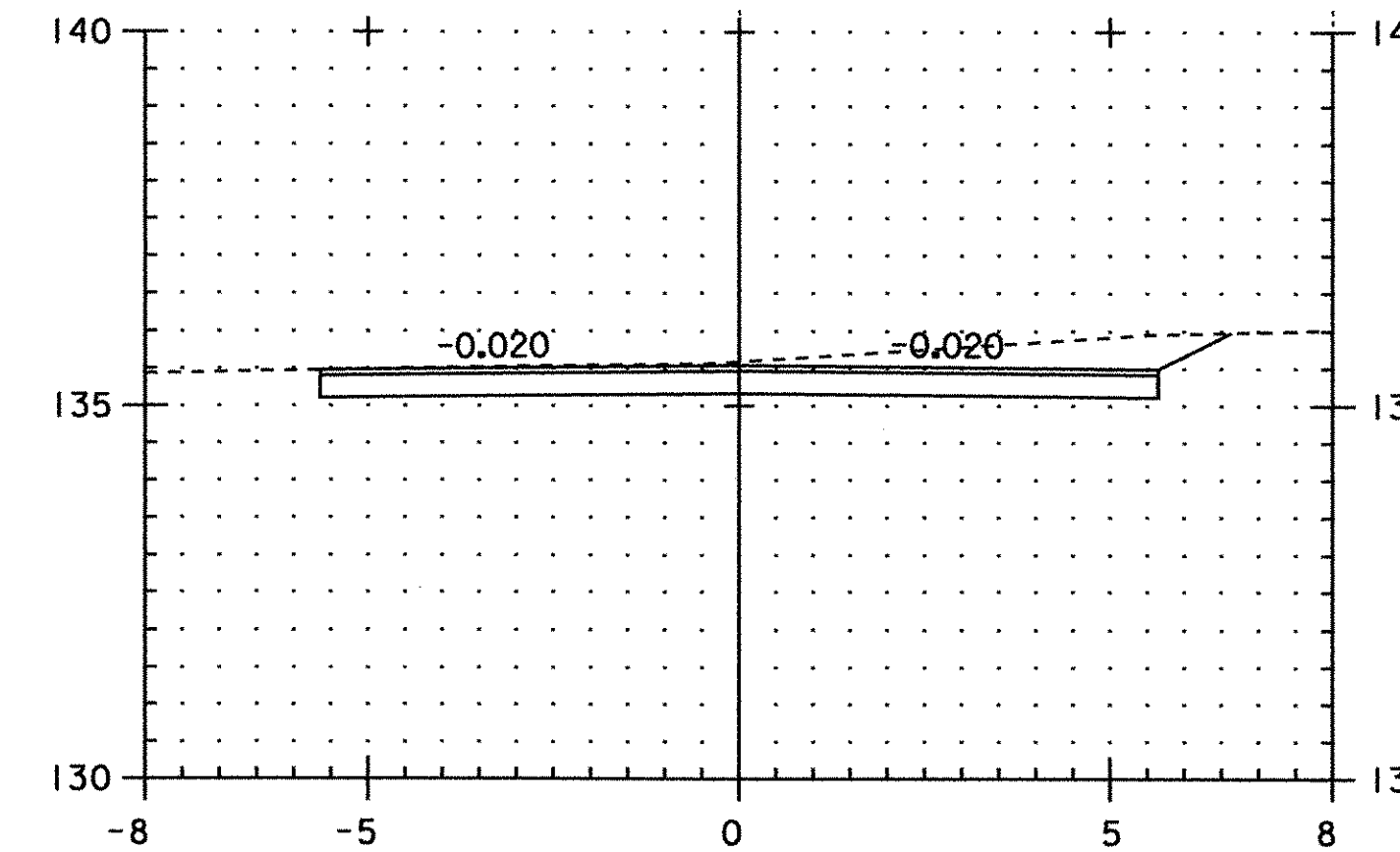
TH #16 SECTIONS



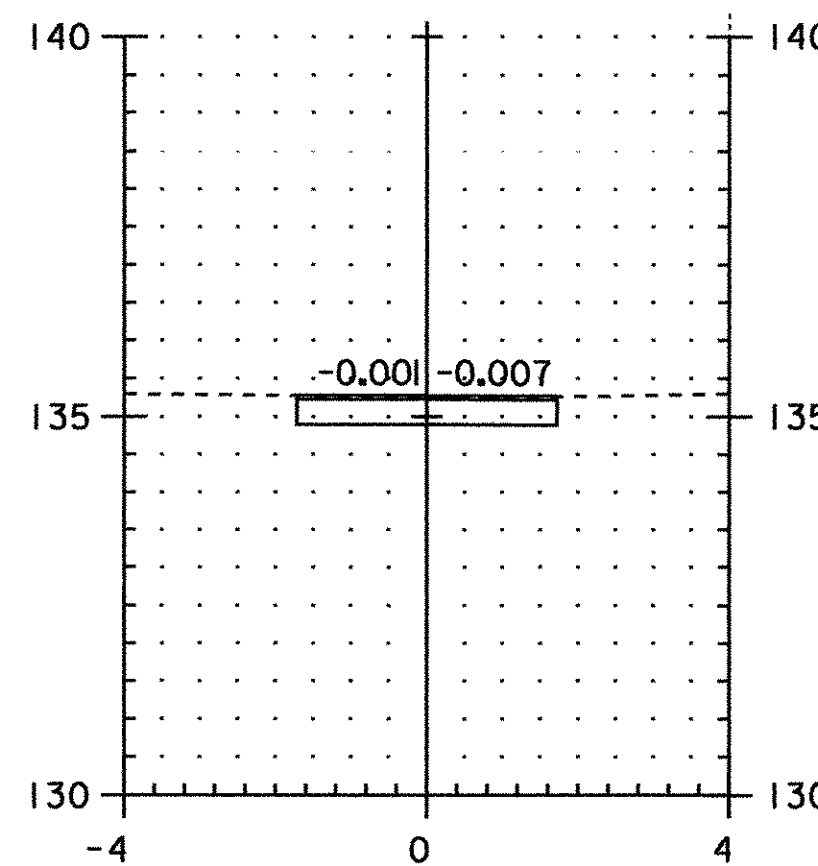
TH #16  
DRIVE @ 26+043 LT  
5M BACK FROM CL



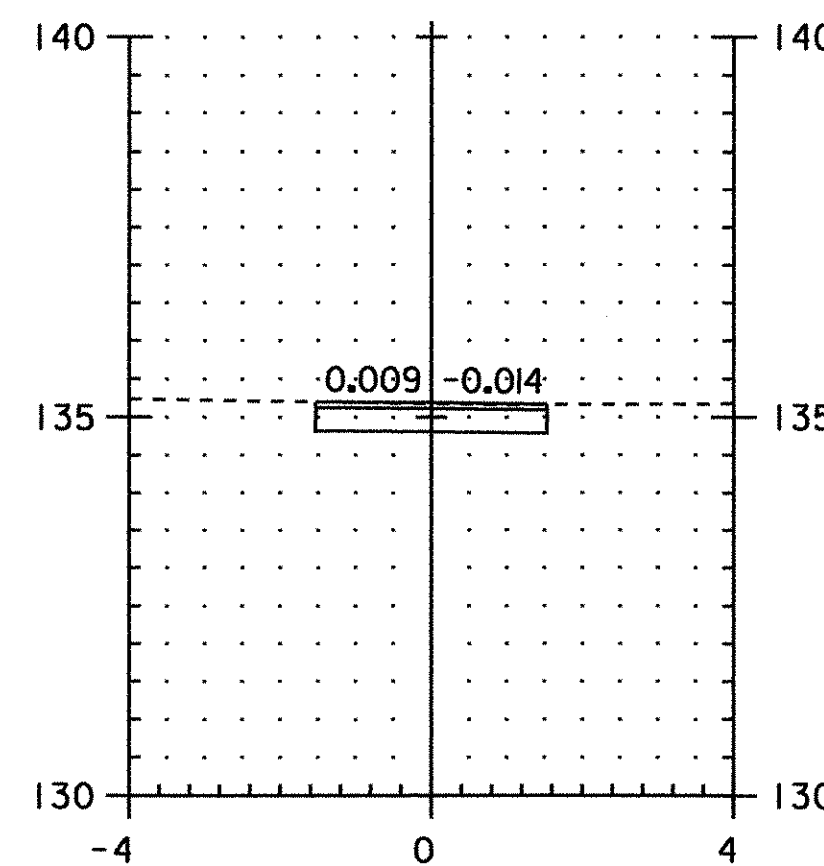
TH #16  
DRIVE @ 26+043 LT  
8M BACK FROM CL



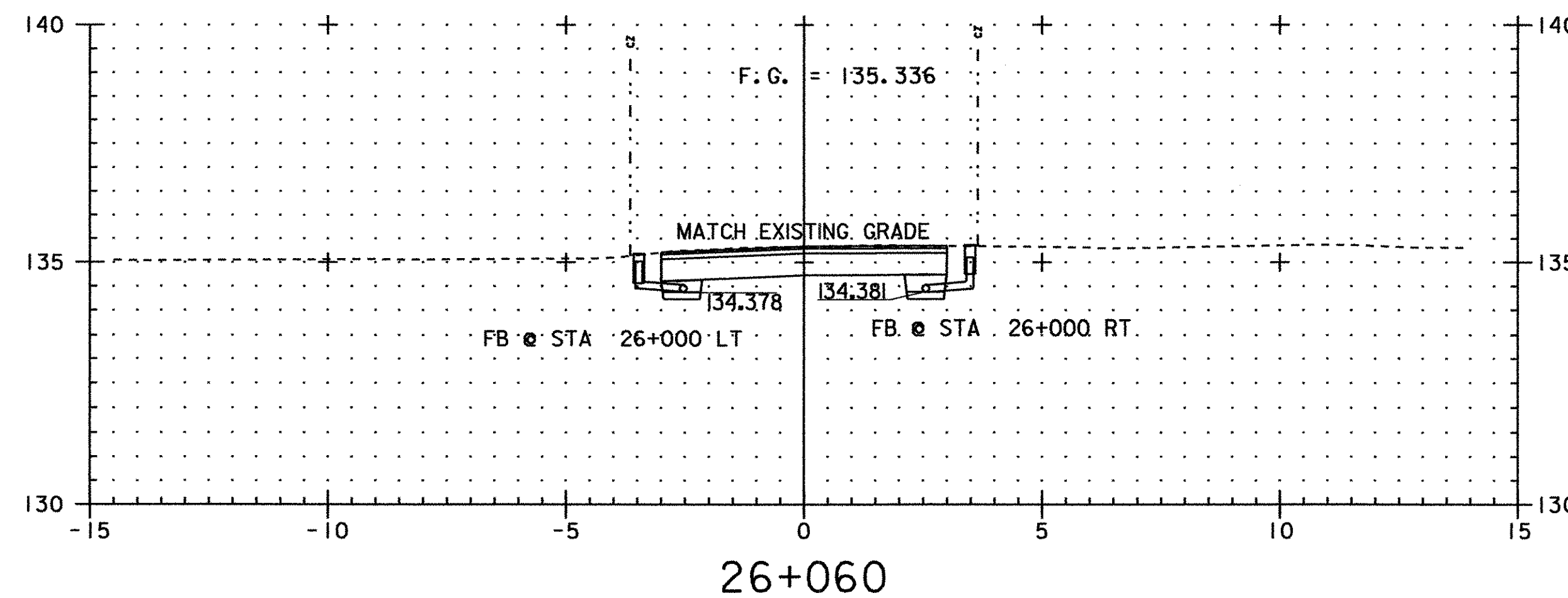
TH #16  
DRIVE @ 26+030 RT  
5M BACK FROM CL



TH #16  
DRIVE @ 26+050 RT  
5M BACK FROM CL



TH #16  
DRIVE @ 26+050 RT  
8M BACK FROM CL



PROJECT NAME:	FRANKLIN	PLOT DATE:	20-MAR-2003
PROJECT NUMBER:	STP 030(18)	DRAWN BY:	SQUAD B
FILE NAME:	...85c060\design\dc060x12.dgn	DESIGNED BY:	SQUAD B
PROJECT LEADER:	DELLASANTA	CHECKED BY:	SQUAD B
IPARM FILE NAME:	(2)dc060x14.I	SHEET	58 OF 60