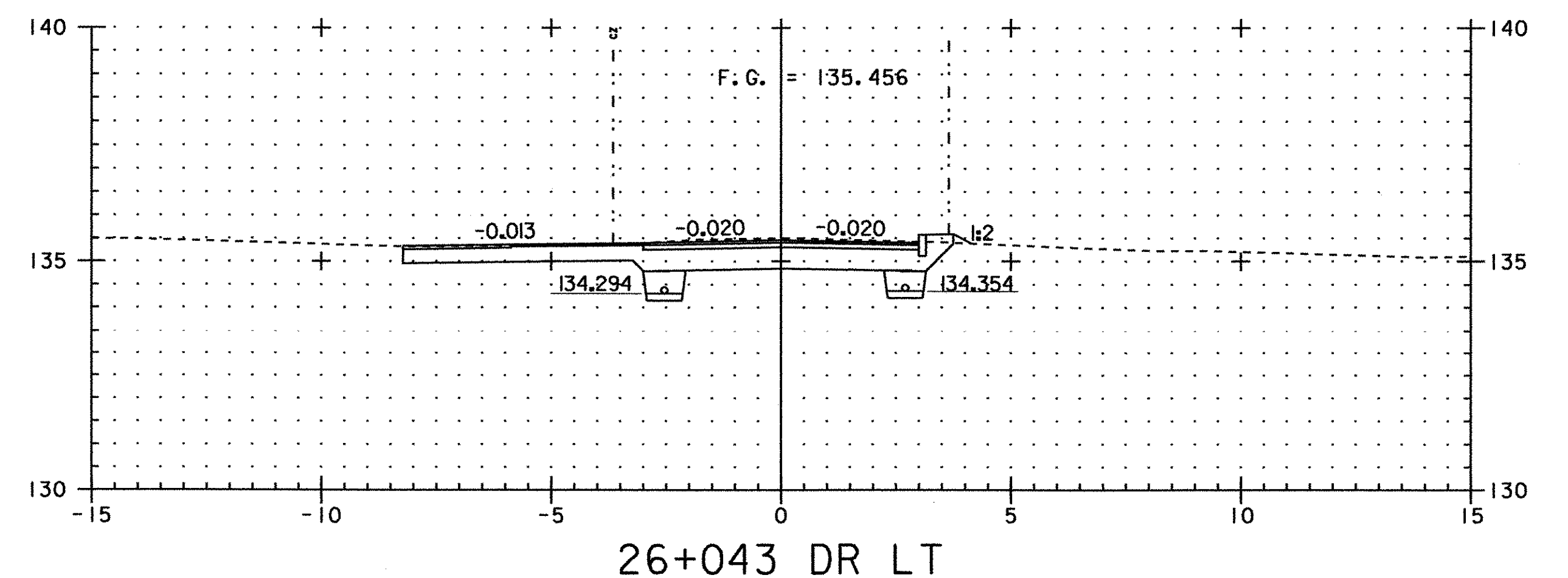
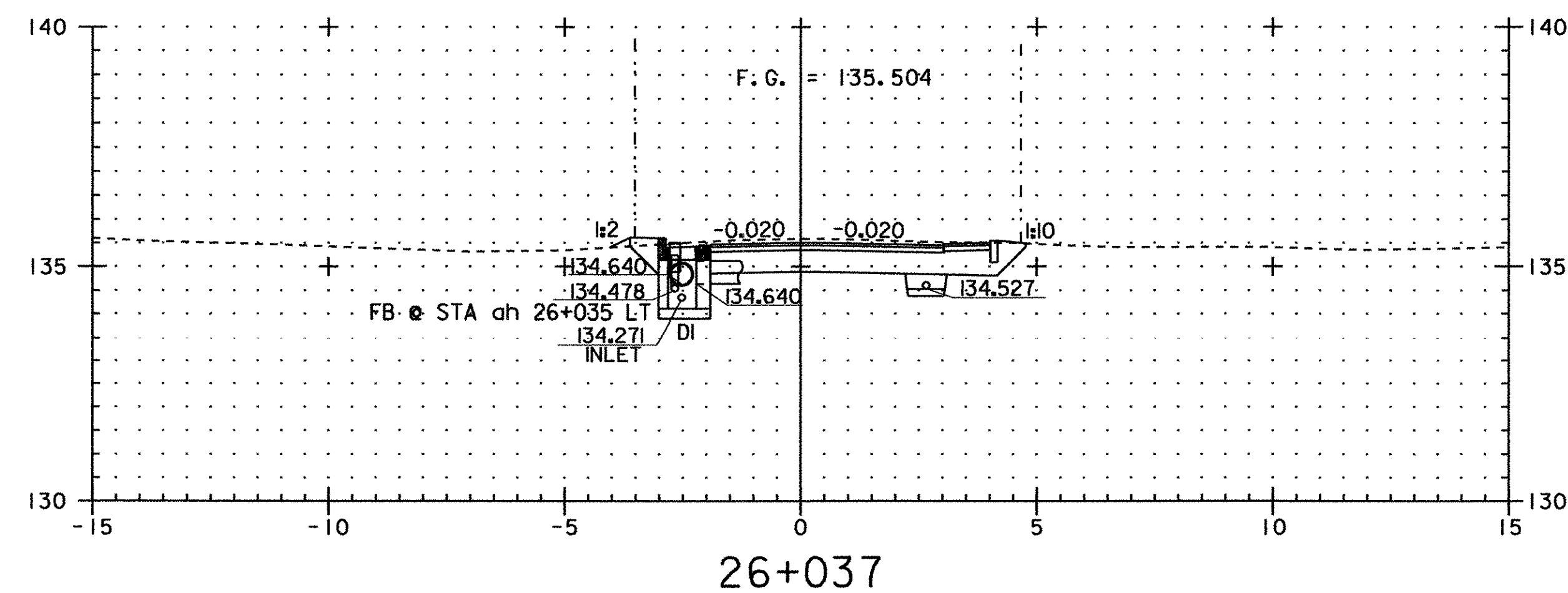
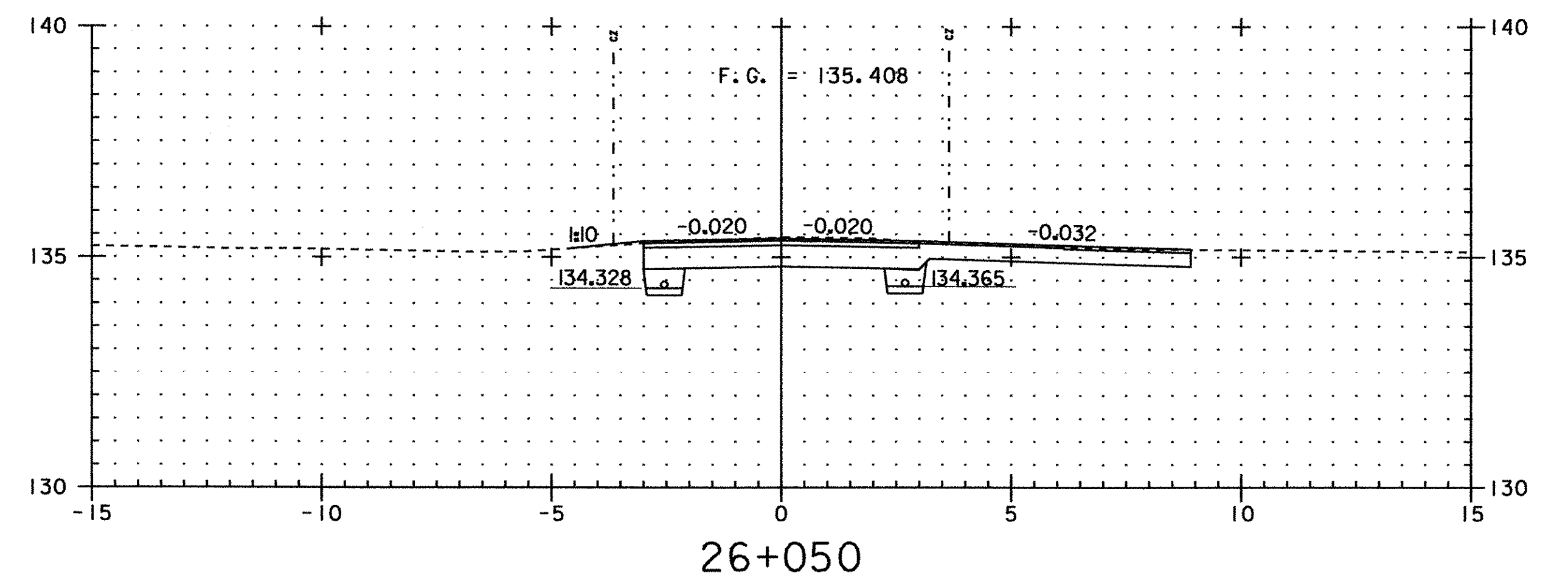
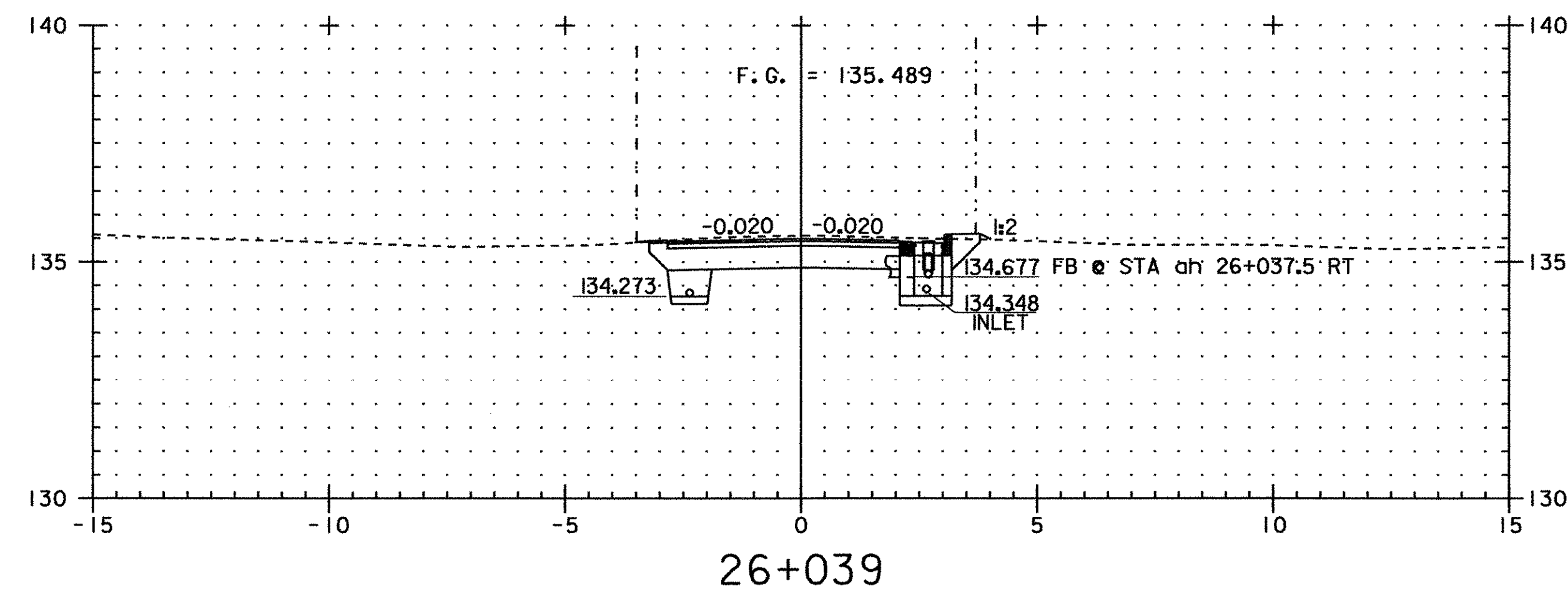
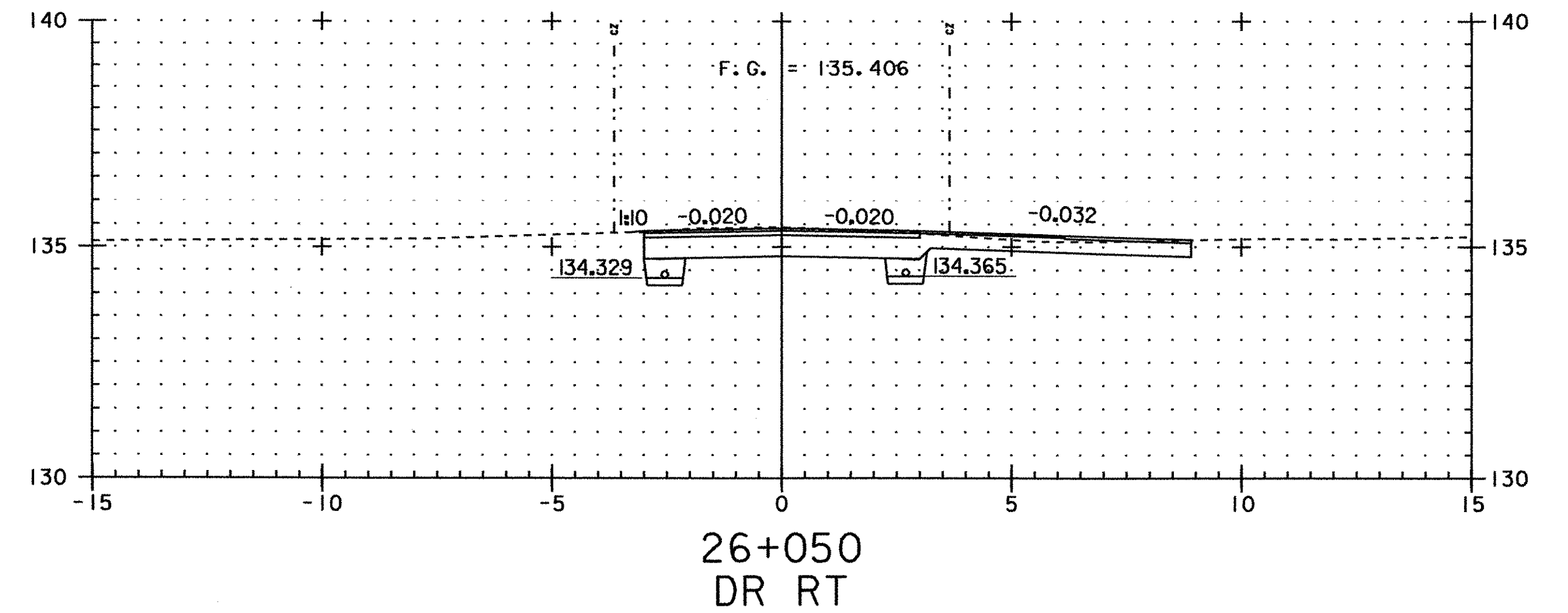
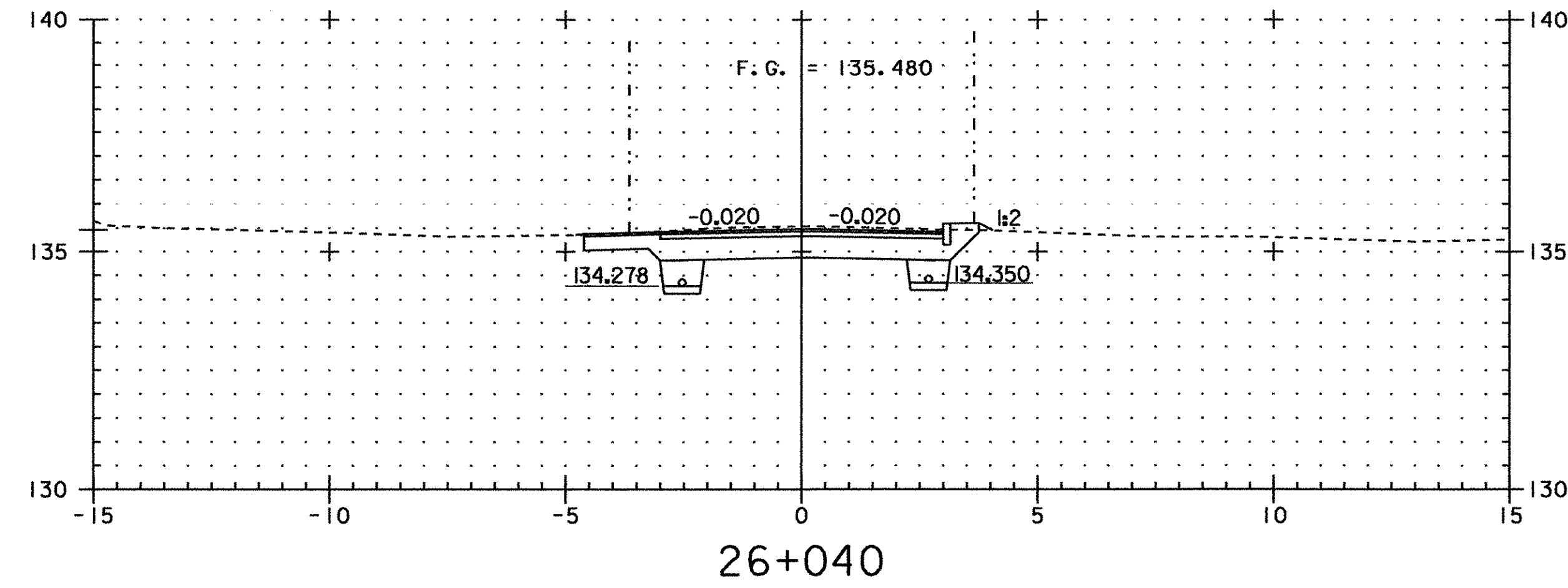


TH #16 SECTIONS



PROJECT NAME:	FRANKLIN
PROJECT NUMBER:	STP 030(18)
FILE NAME:	...85c060\design\dc060x12.dgn
PROJECT LEADER:	DELLASANTA
DESIGNED BY:	SQUAD B
IPARM FILE NAME:	(2)dc060x13.l
PLOT DATE:	20-MAR-2003
DRAWN BY:	SQUAD B
CHECKED BY:	SQUAD B
SHEET	57 OF 60