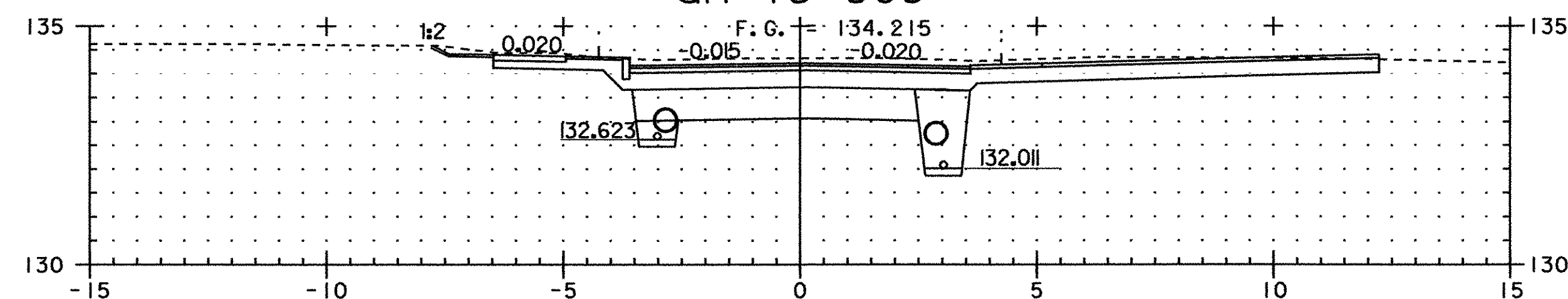
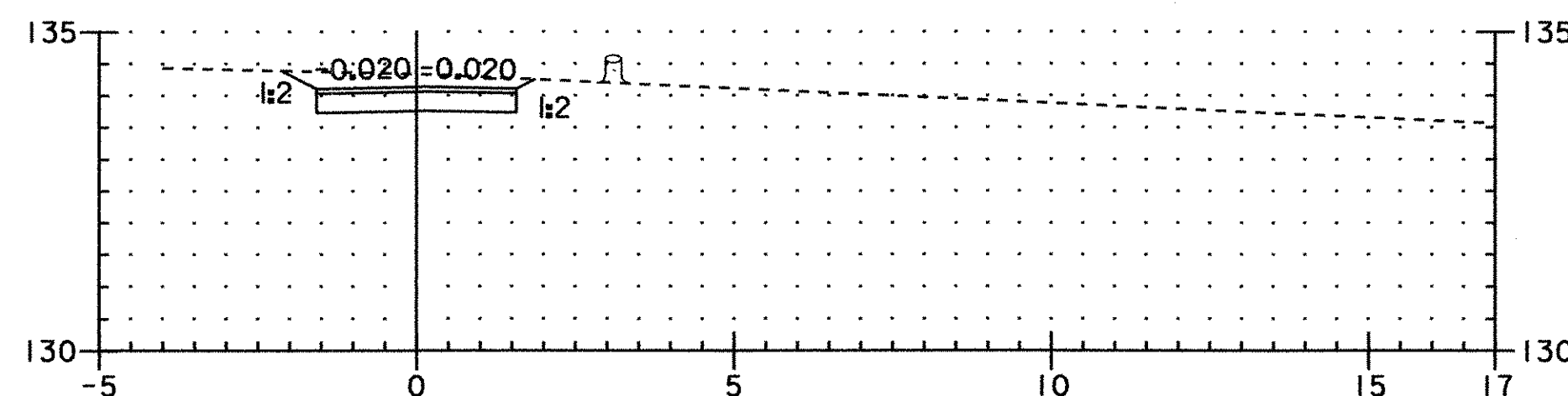


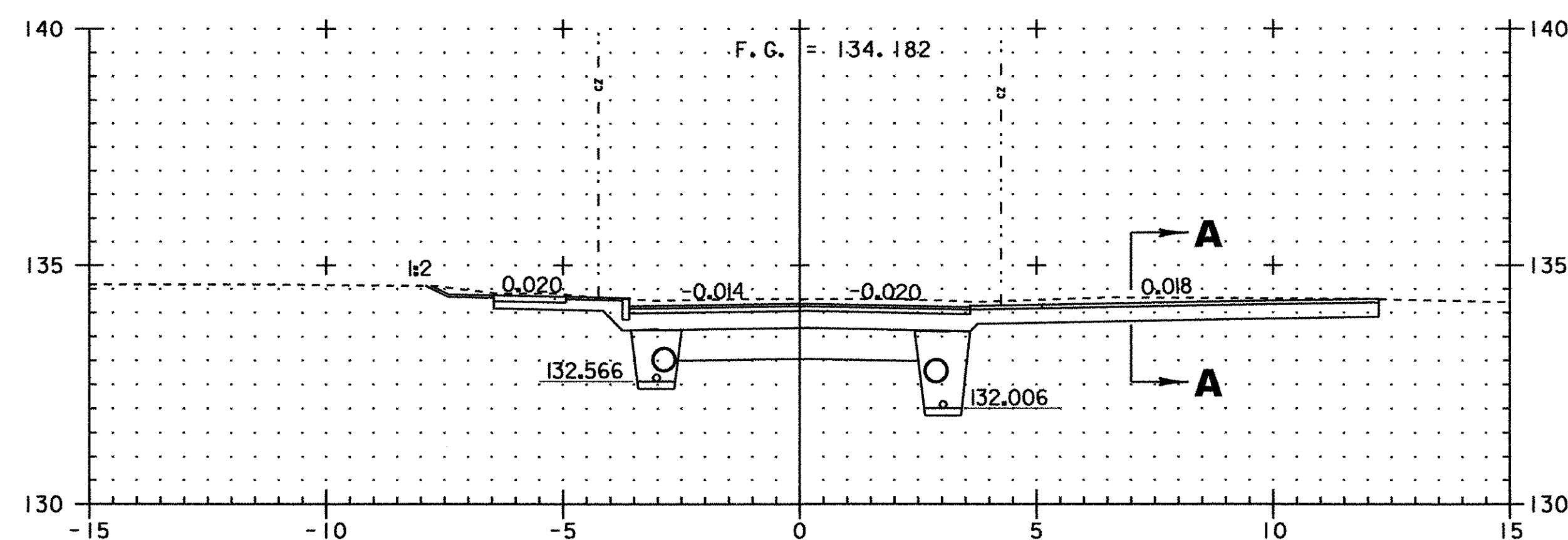
ah 15+383



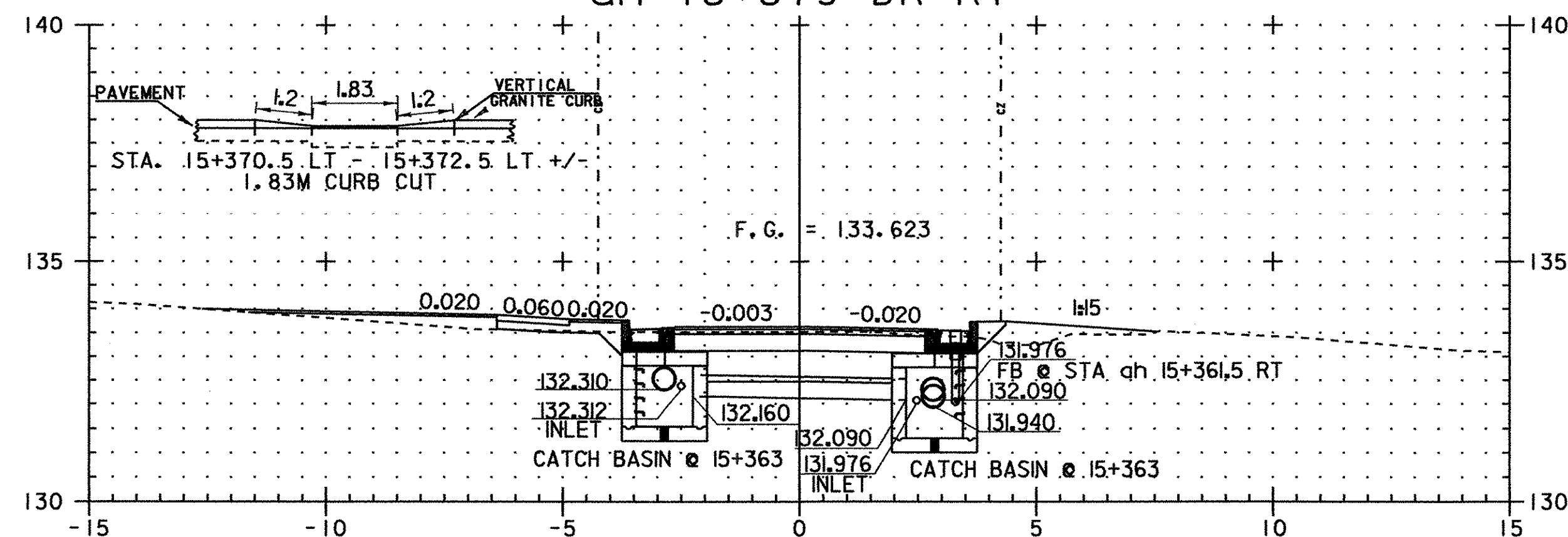
ah 15+380



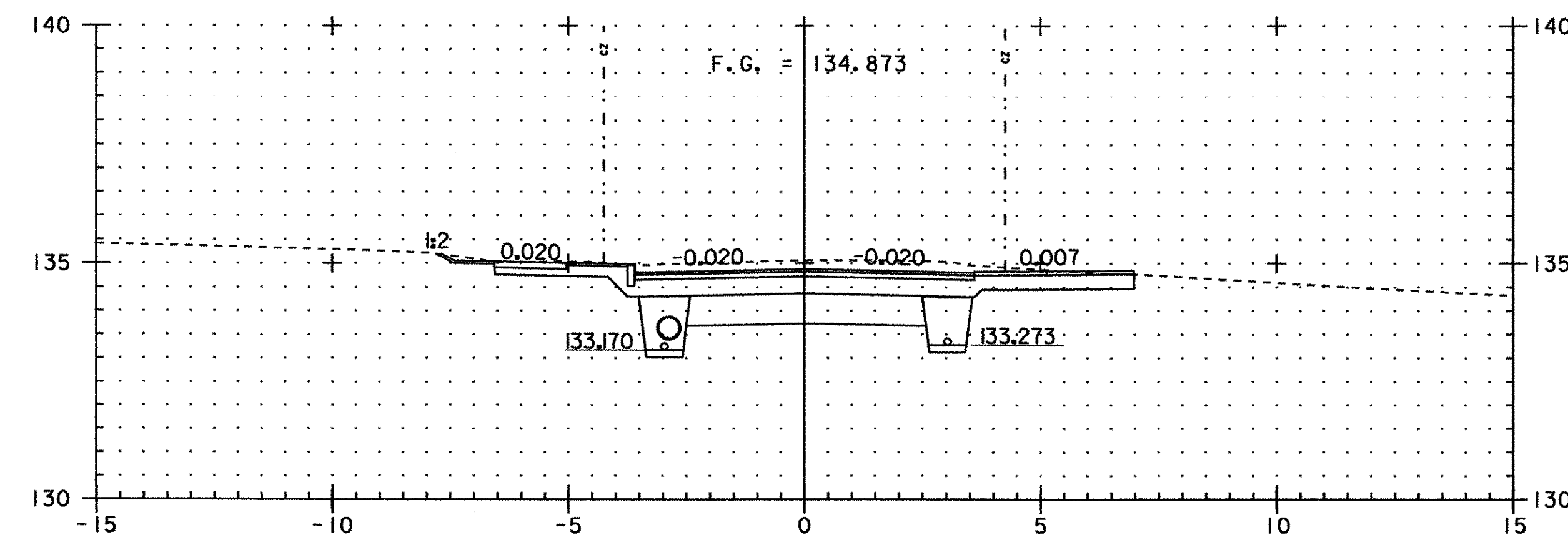
SECTION A - A
DRIVE @ ah 15+379 RT



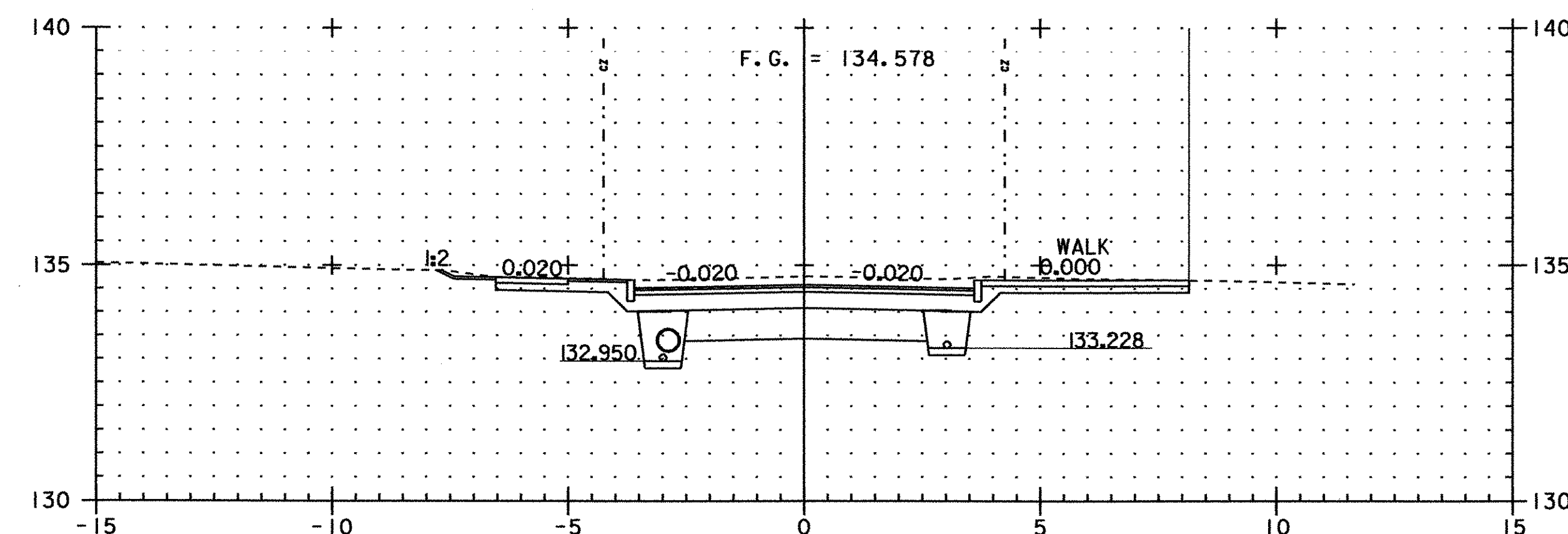
ah 15+379 DR RT



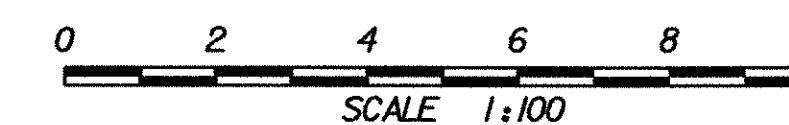
ah 15+362



ah 15+400
DR RT



ah 15+391 WALK RT



PROJECT NAME:	FRANKLIN	PLOT DATE:	20-MAR-2003
PROJECT NUMBER:	STP 0301(18)	DRAWN BY:	SQUAD B
FILE NAME:	...85c060\design\dc060xl2.dgn	DESIGNED BY:	SQUAD B
PROJECT LEADER:	DELLASANTA	CHECKED BY:	SQUAD B
IPARM FILE NAME:	(2)dc060x09.1	SHEET	53 OF 60