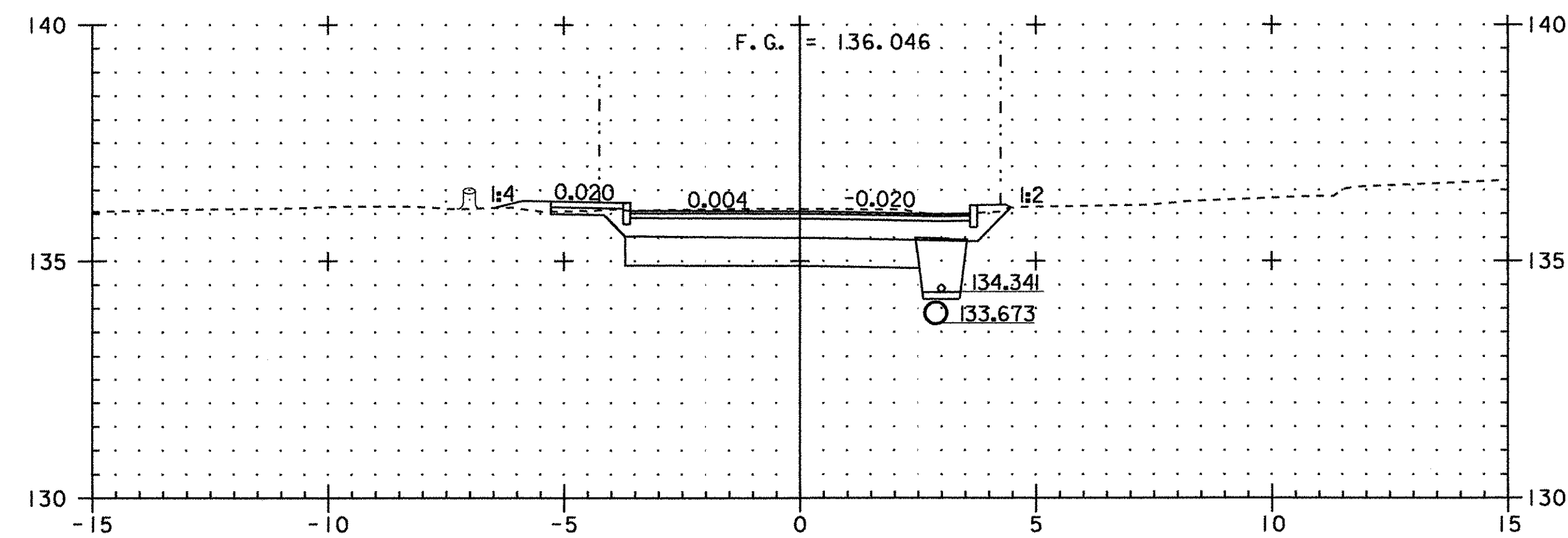
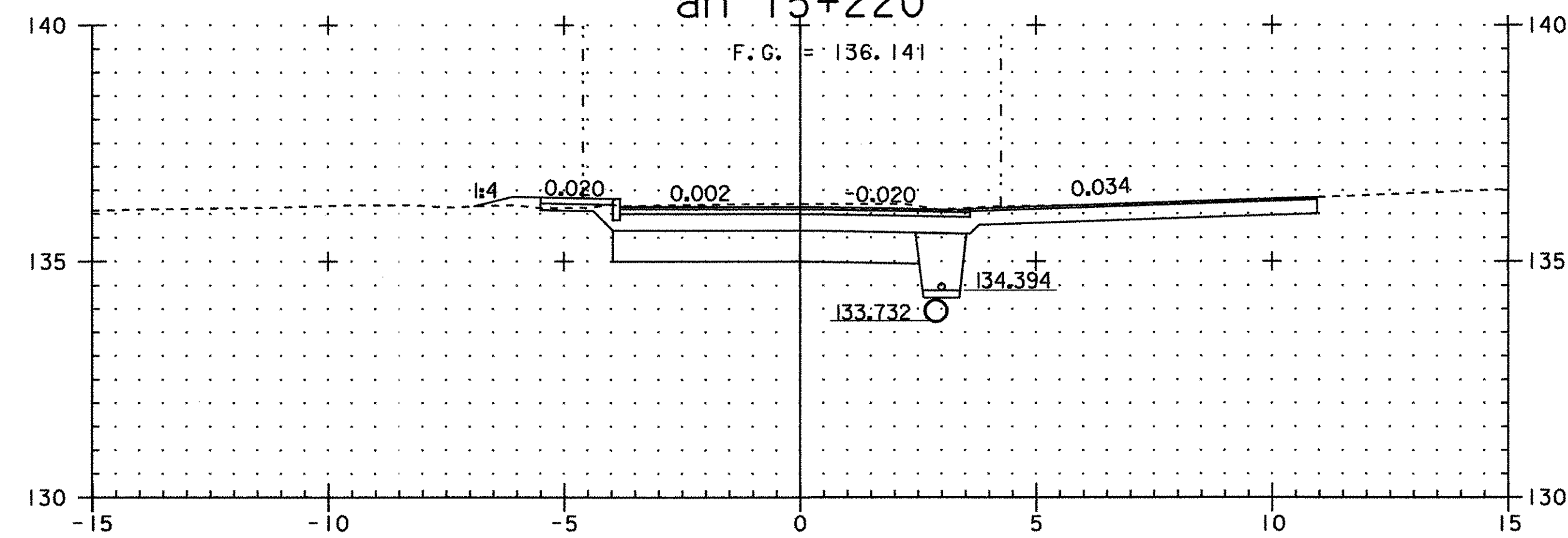


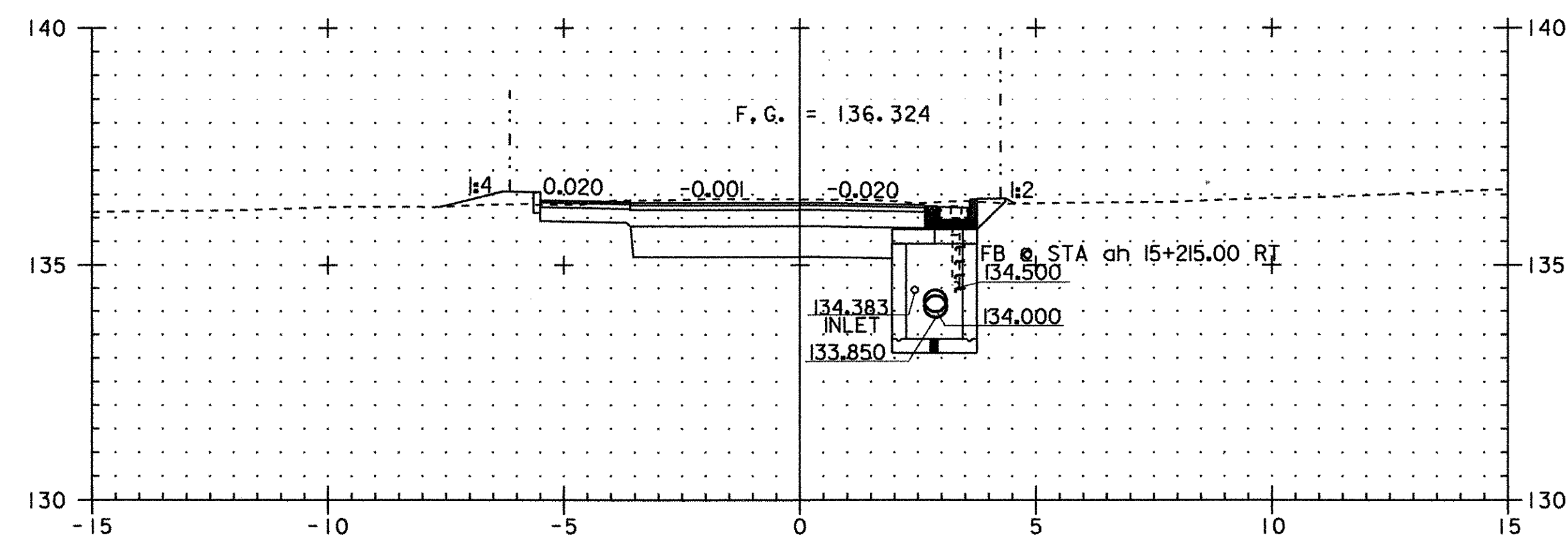
ah 15+227 WALK LT & RT



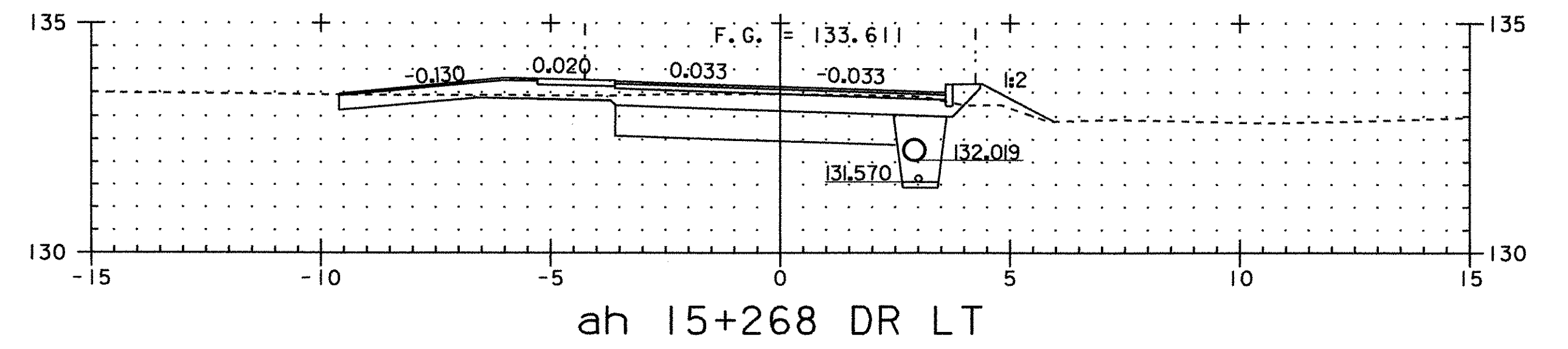
ah 15+220



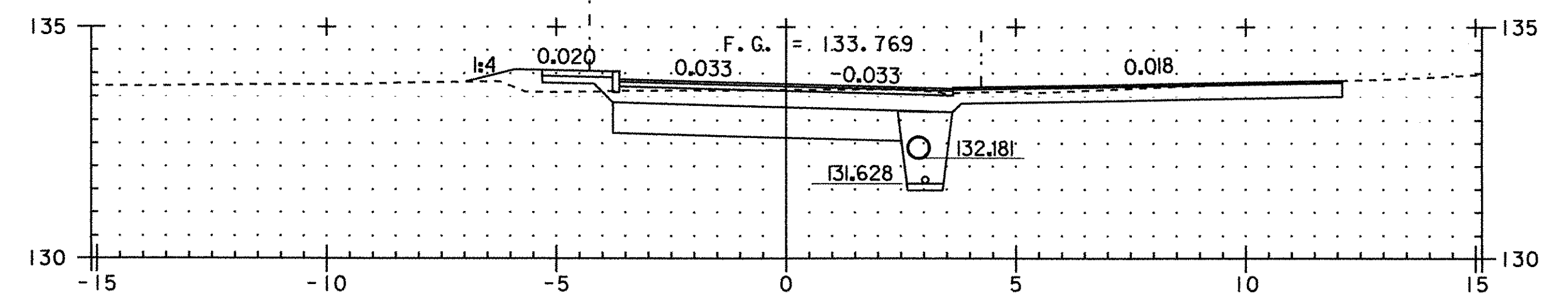
ah 15+218 RT RT



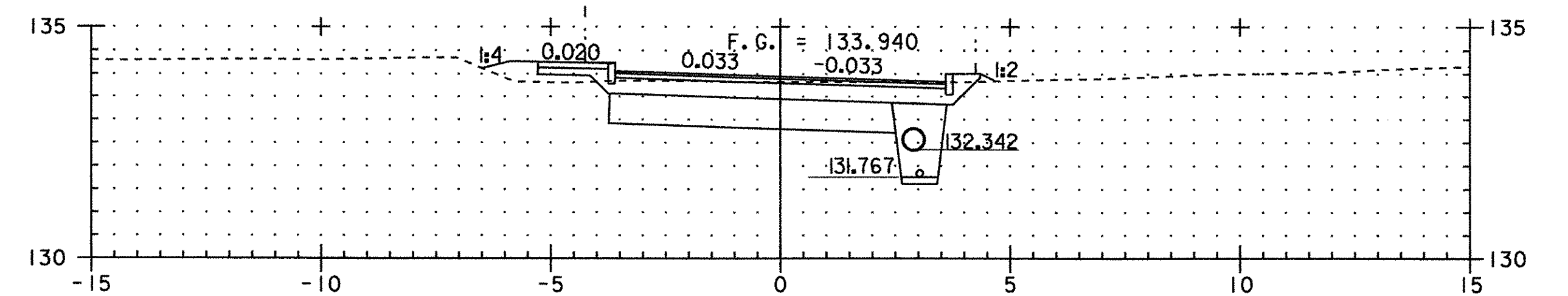
ah 15+214



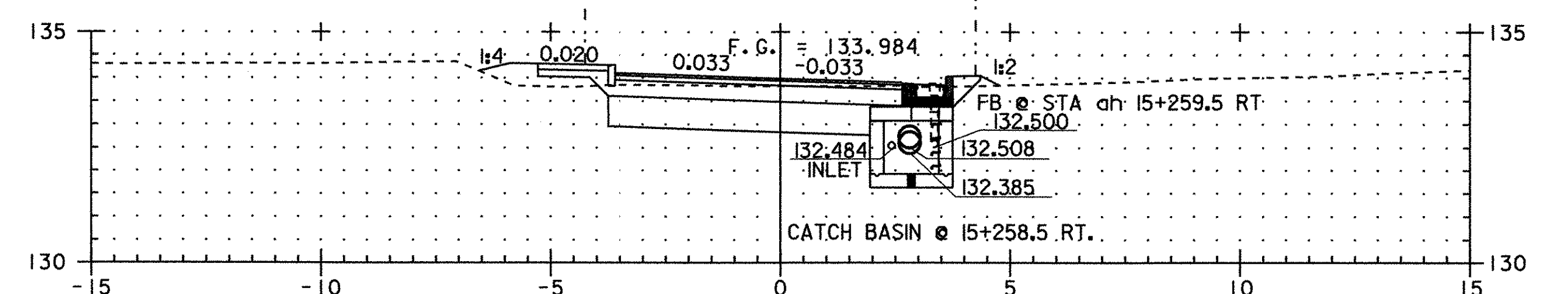
ah 15+268 DR LT



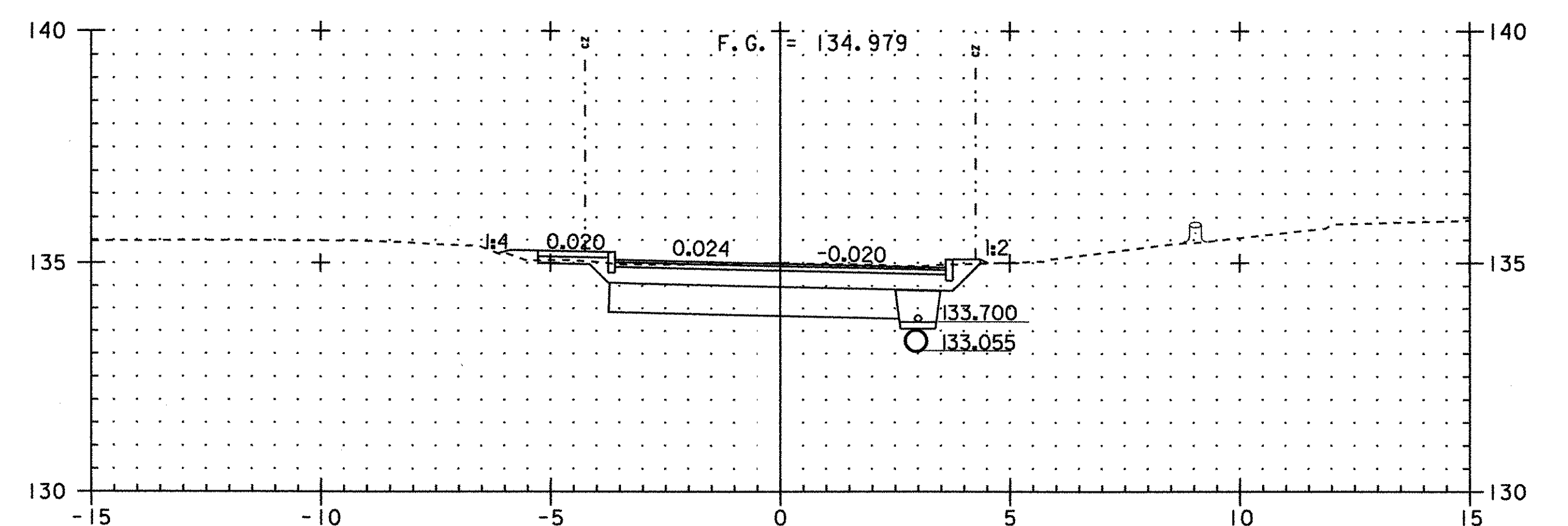
ah 15+264 DR RT



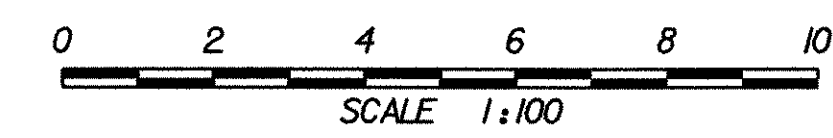
ah 15+260



ah 15+259



ah 15+240



PROJECT NAME:	FRANKLIN	FILE NAME:	...85c060\design\dc060x12.dgn	PLOT DATE:	20-MAR-2003
PROJECT NUMBER:	STP 030(18)	PROJECT LEADER:	DELLASANTA	DRAWN BY:	SQUAD B
		DESIGNED BY:	SQUAD B	CHECKED BY:	SQUAD B
		IPARM FILE NAME:	(2)dc060x06.l	SHEET	50 OF 60