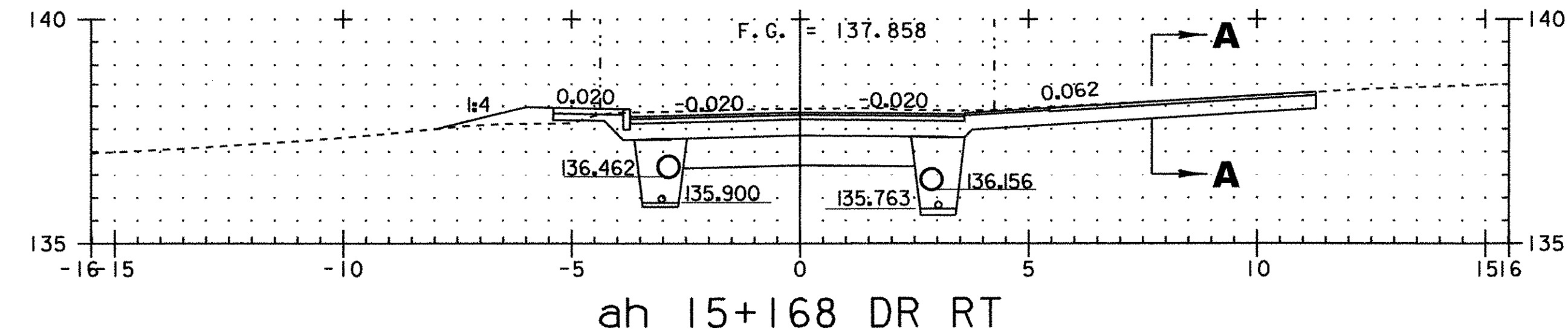
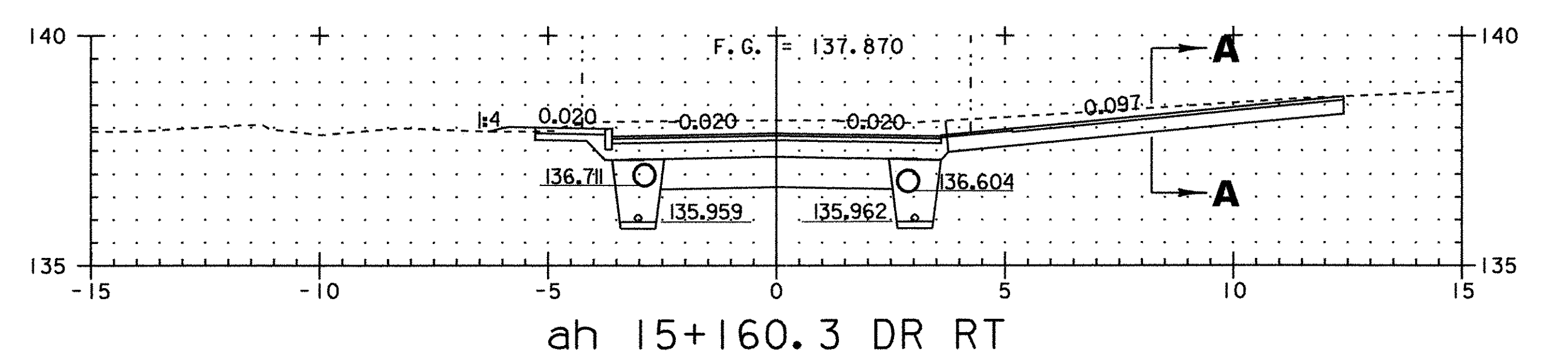


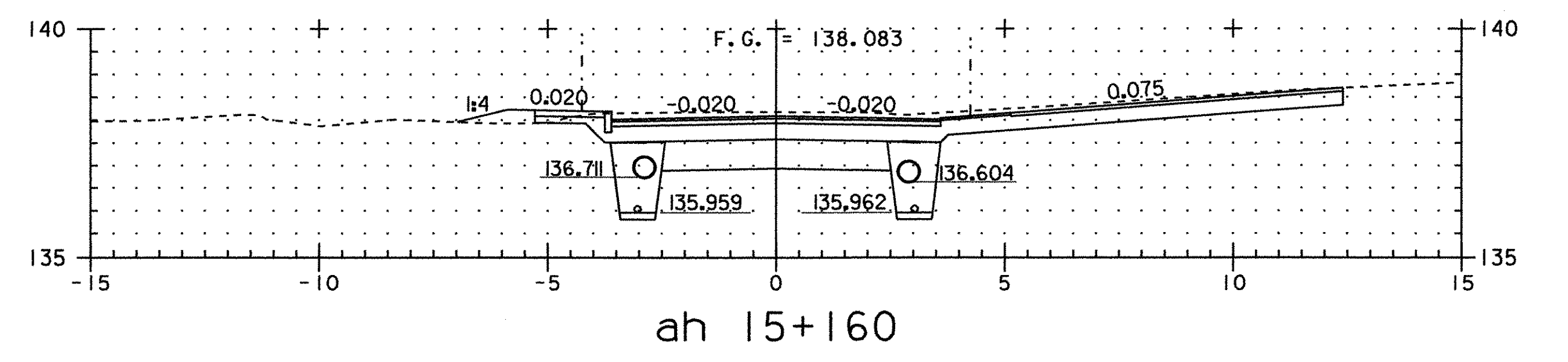
SECTION A - A  
DRIVE @ ah 15+168 RT



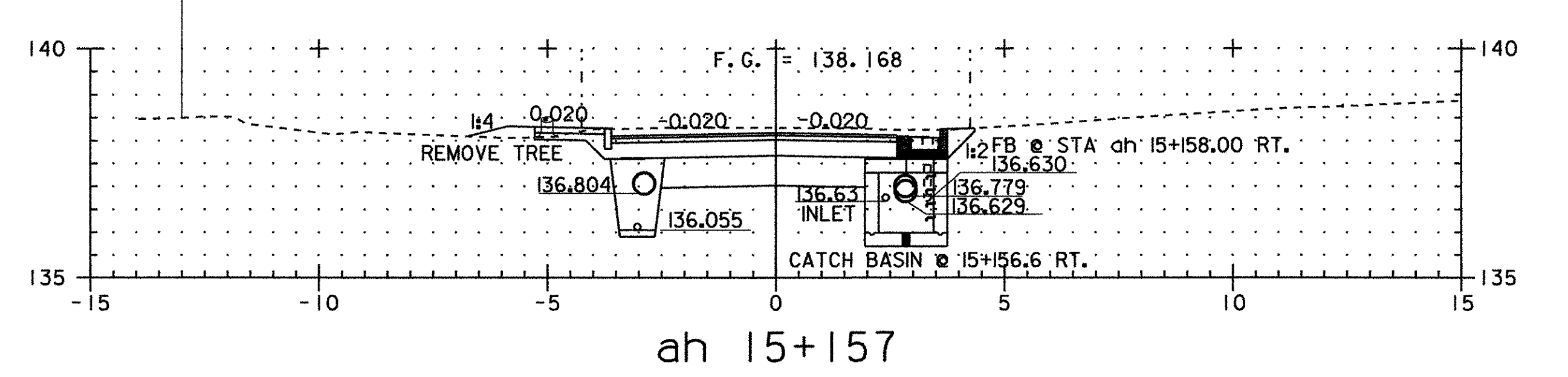
ah 15+168 DR RT



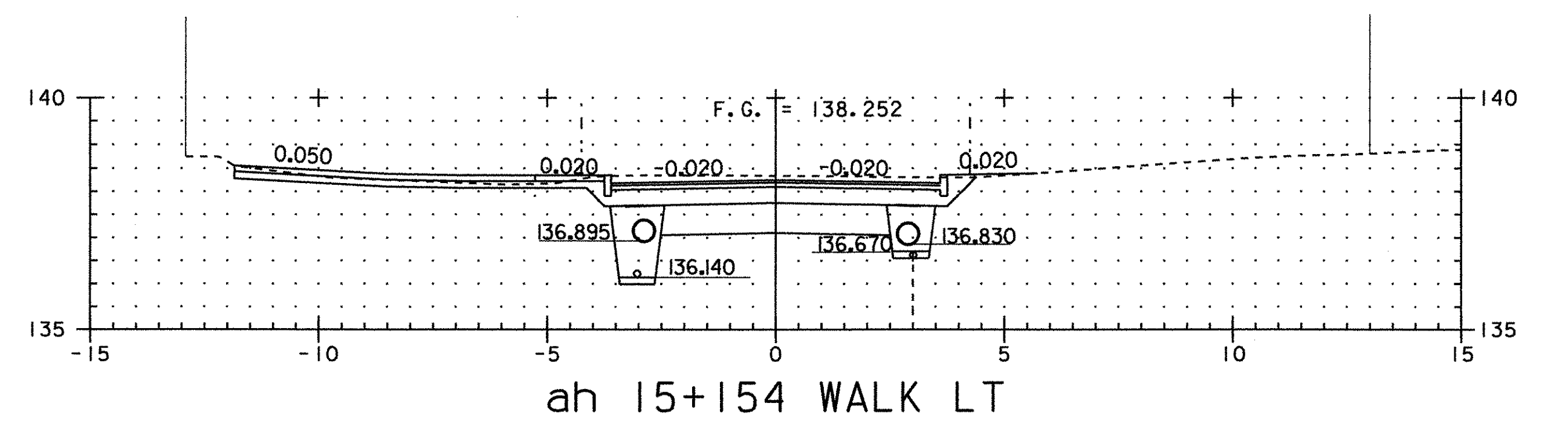
ah 15+160.3 DR RT



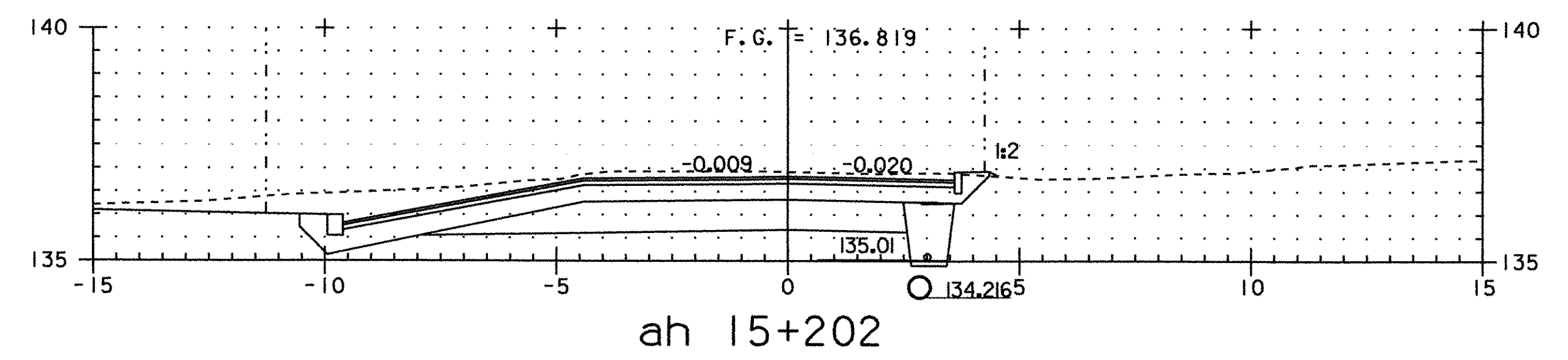
ah 15+160



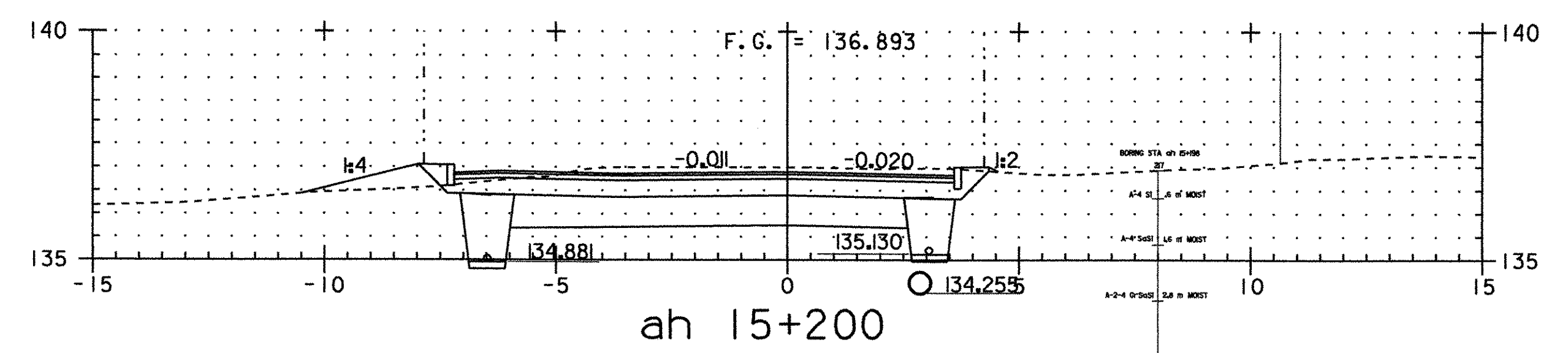
ah 15+157



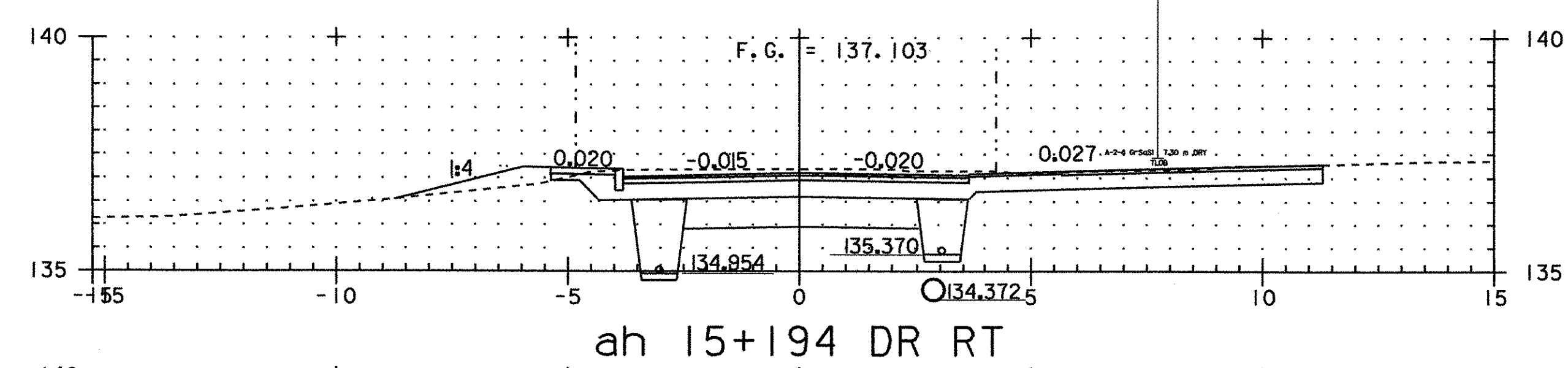
ah 15+154 WALK LT



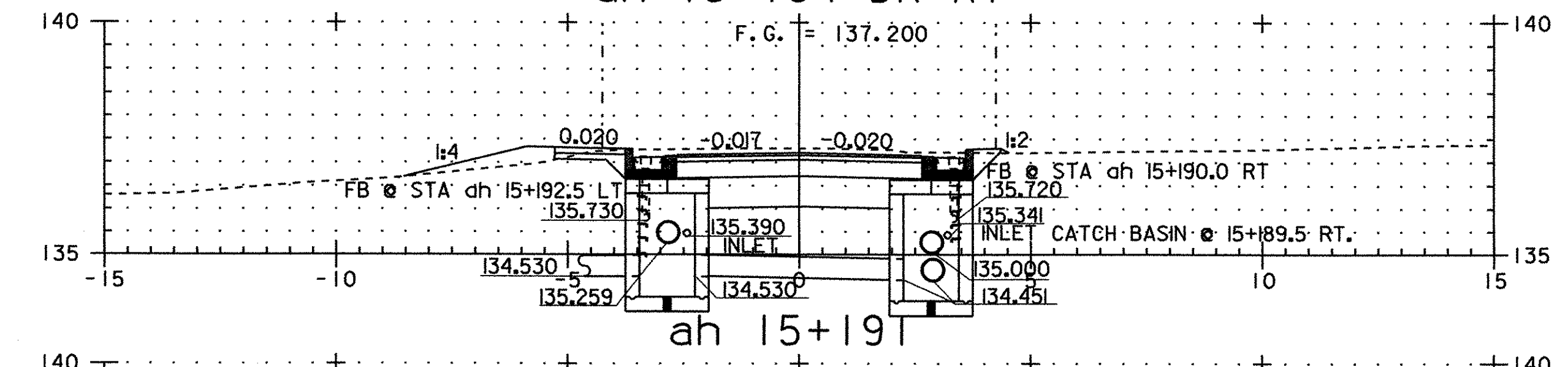
ah 15+202



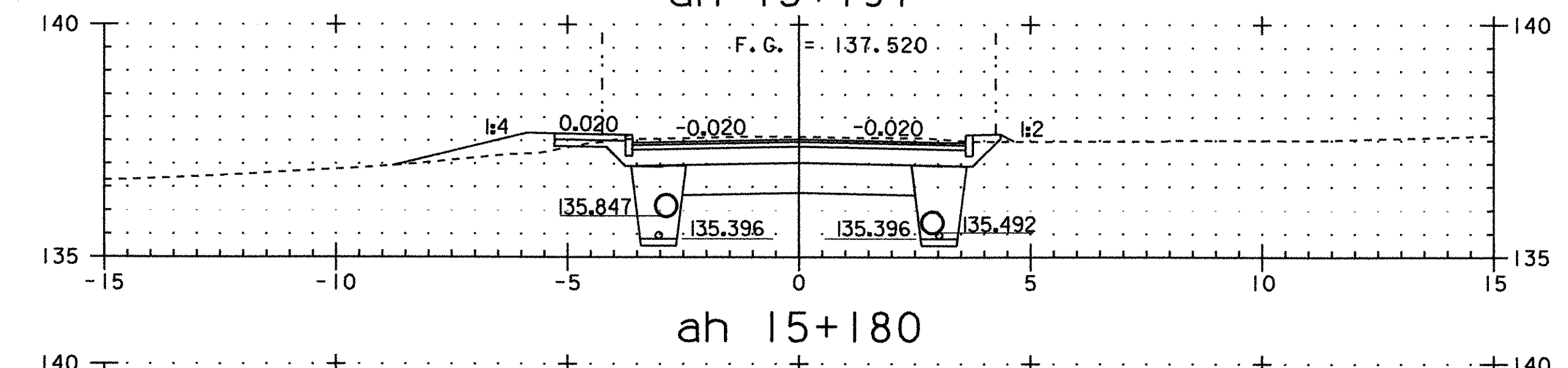
ah 15+200



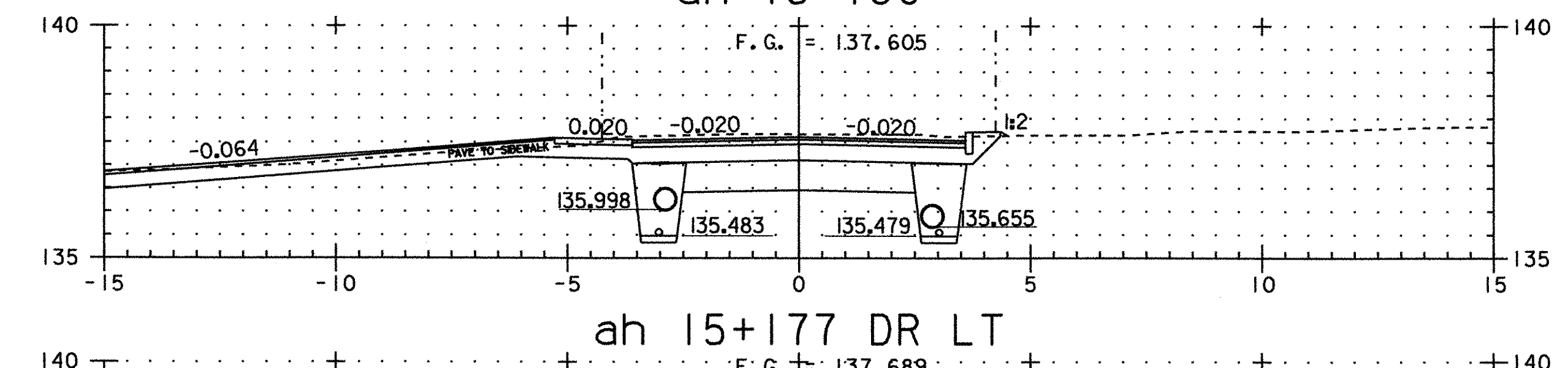
ah 15+194 DR RT



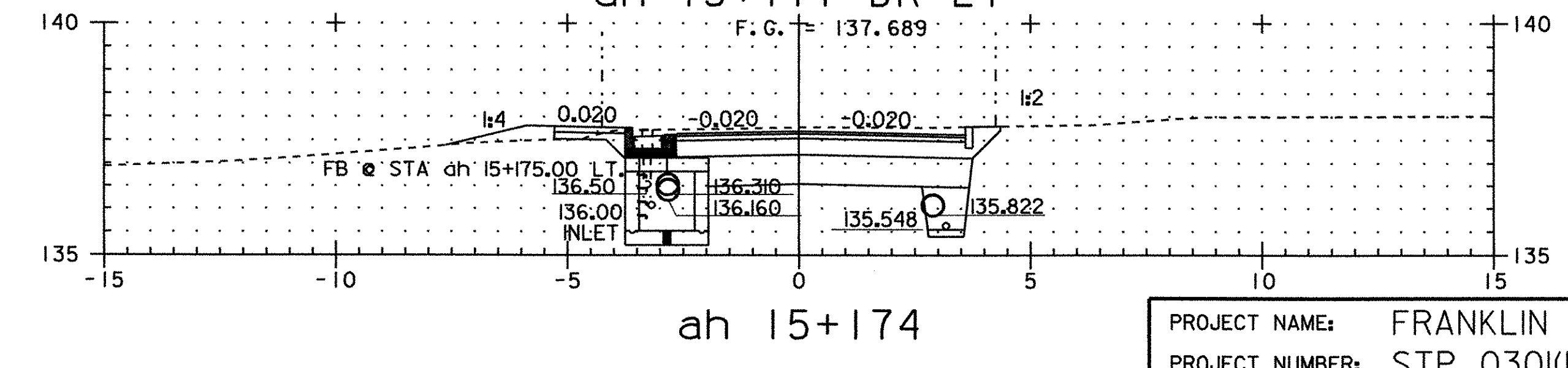
ah 15+191



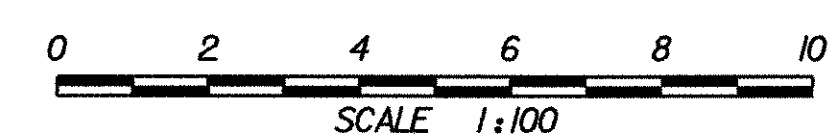
ah 15+180



ah 15+177 DR LT



ah 15+174



PROJECT NAME:	FRANKLIN	PLOT DATE:	20-MAR-2003
PROJECT NUMBER:	STP 0301(18)	PROJECT LEADER:	DELLASANTA
DESIGNED BY:	SQUAD B	DRAWN BY:	SQUAD B
IPARM FILE NAME:	(2)dc060x05.1	CHECKED BY:	SQUAD B
			SHEET 49 OF 60