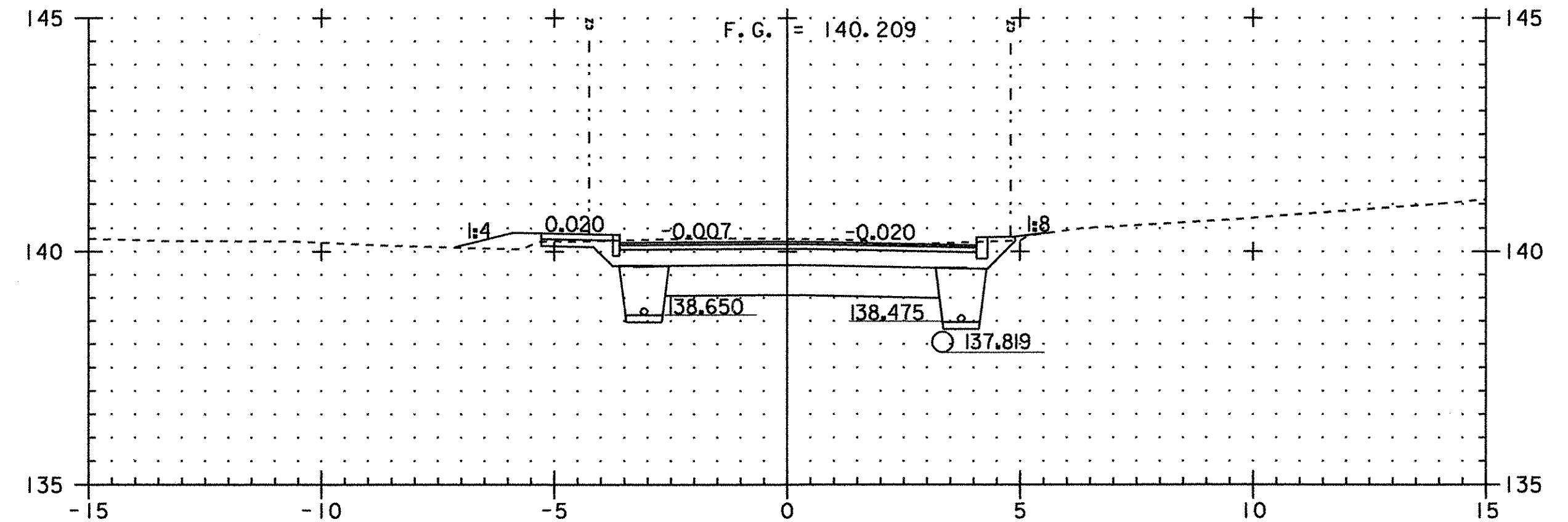
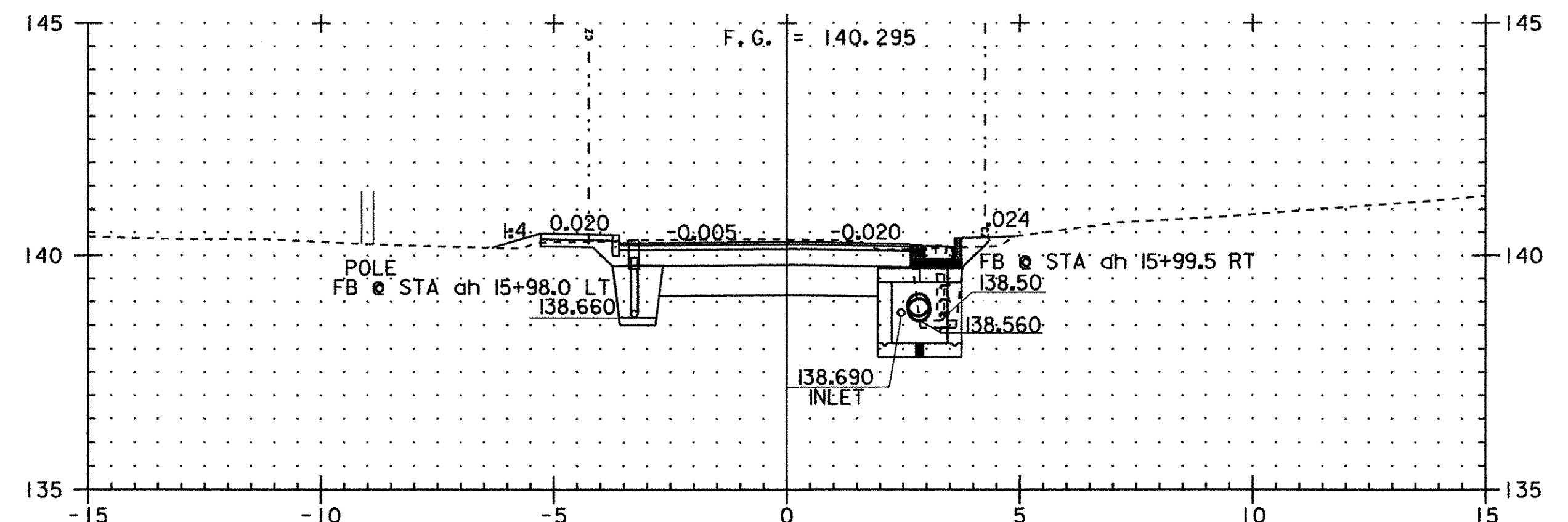


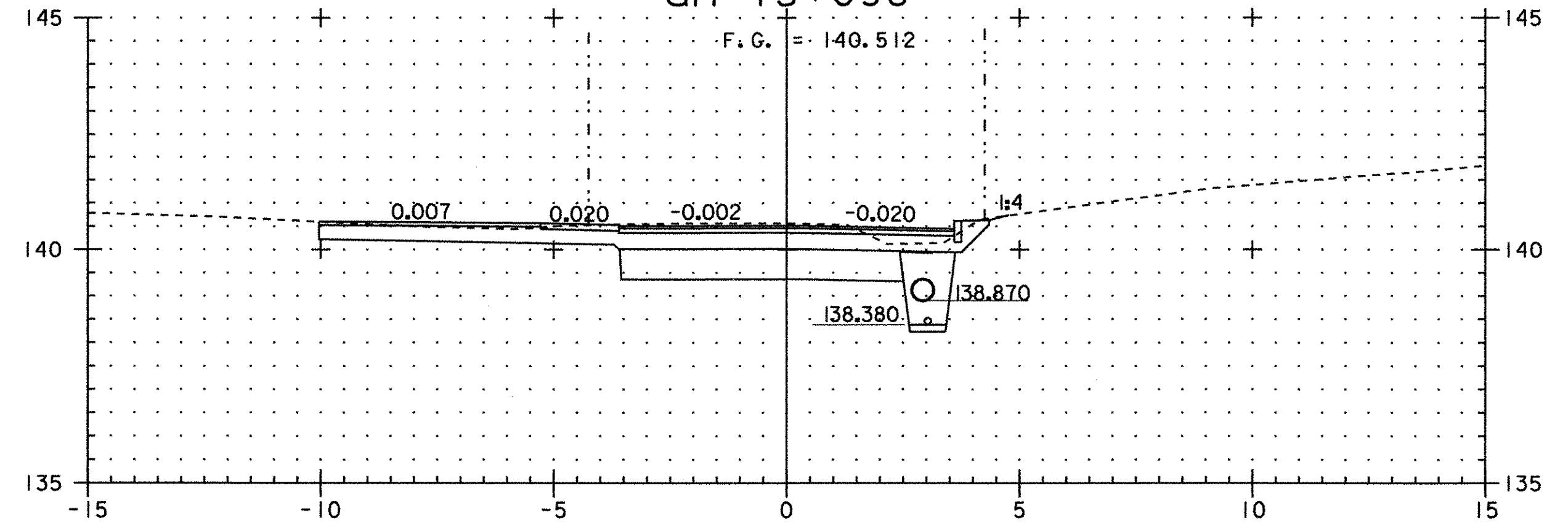
ah 15+102 DR RT



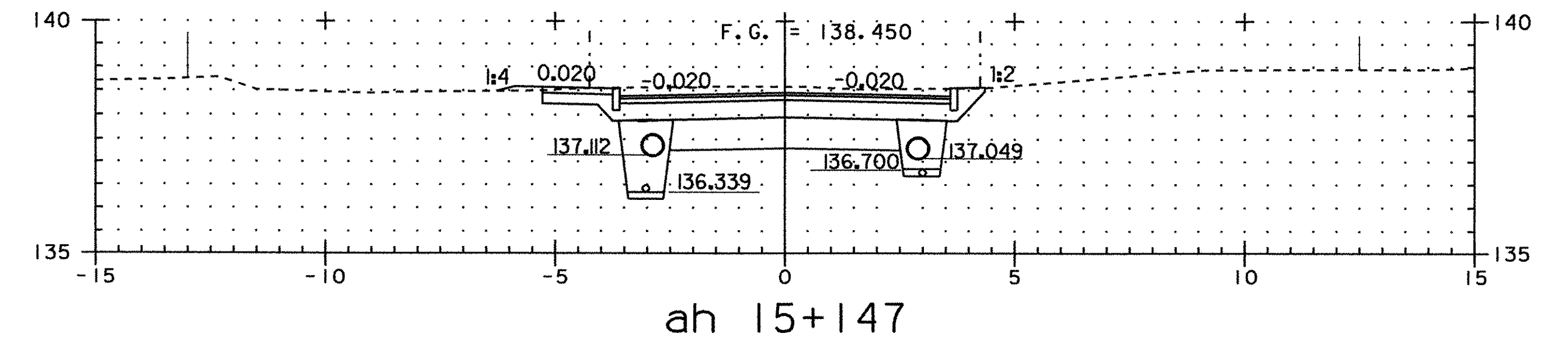
ah 15+100



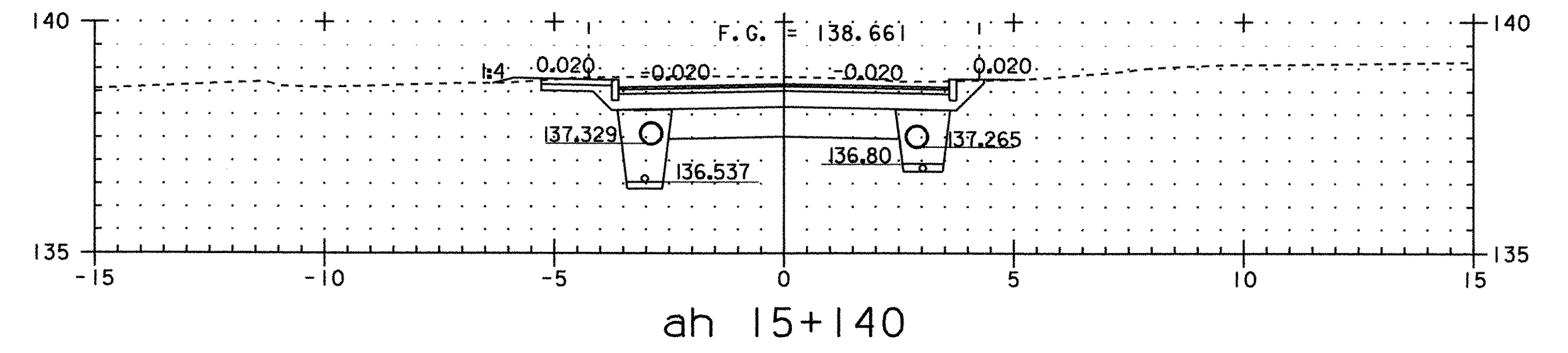
ah 15+098



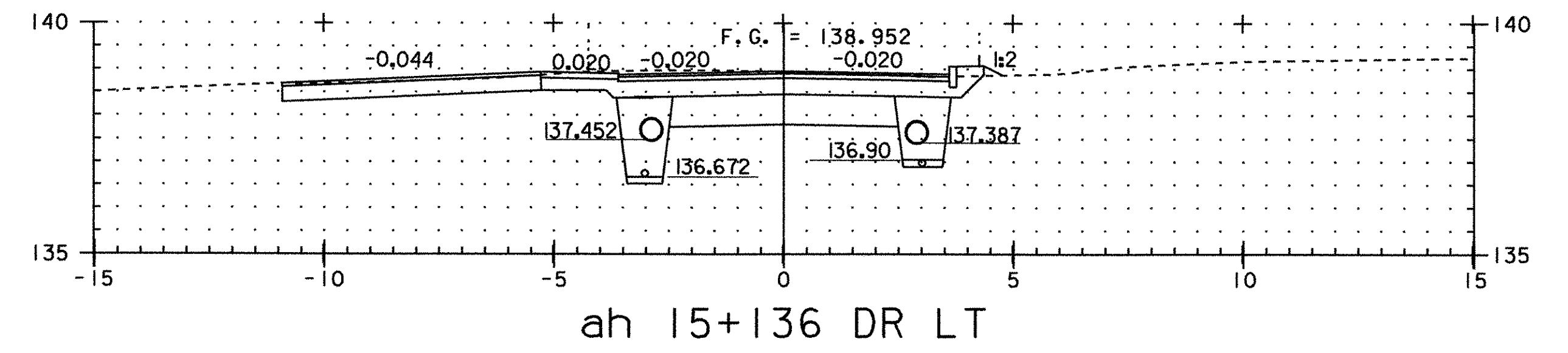
ah 15+093 DR LT



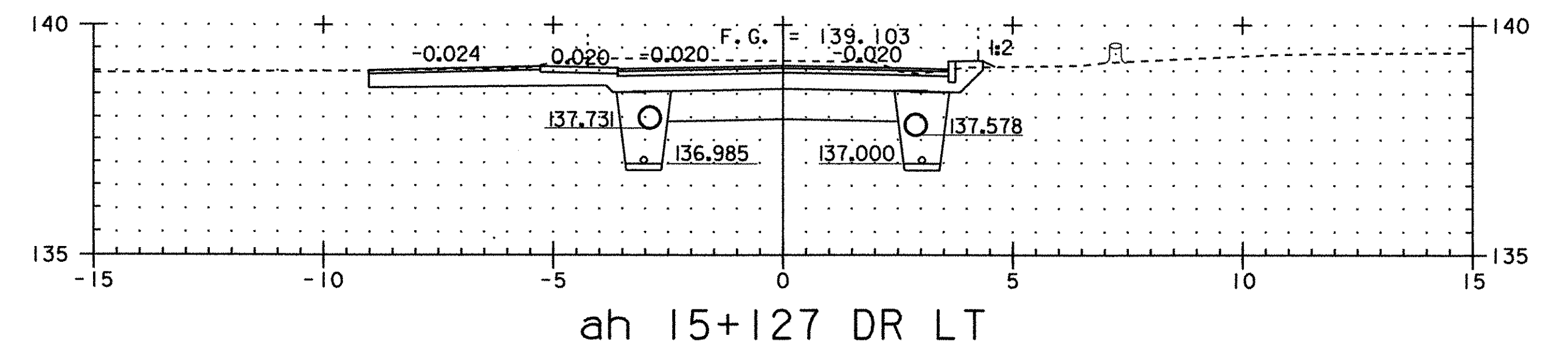
ah 15+147



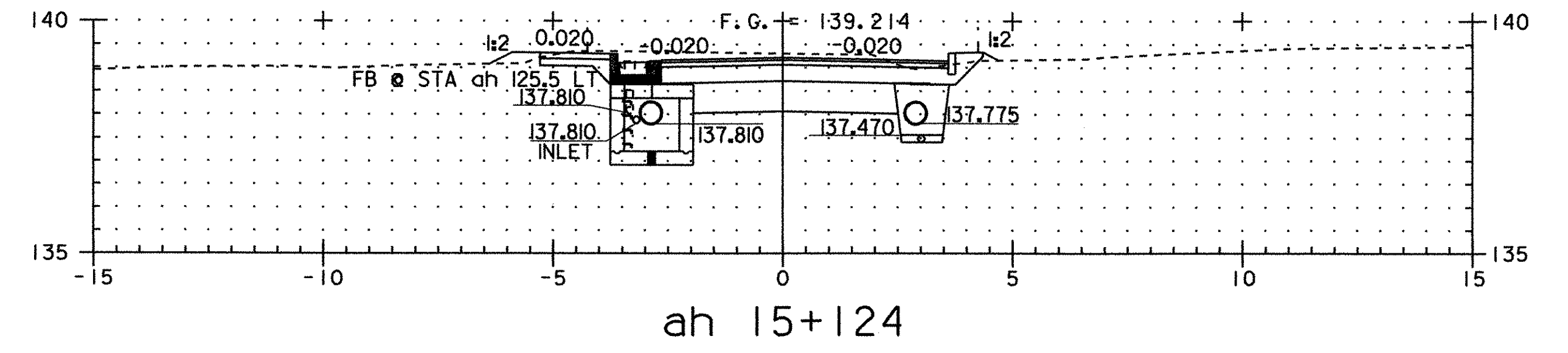
ah 15+140



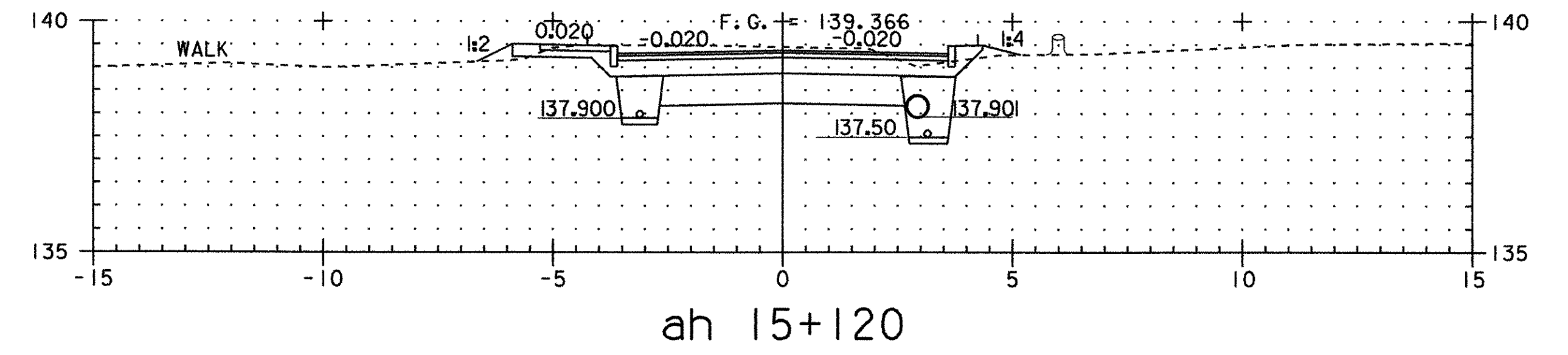
ah 15+136 DR LT



ah 15+127 DR LT



ah 15+124



ah 15+120



PROJECT NAME:	FRANKLIN	PLOT DATE:	20-MAR-2003
PROJECT NUMBER:	STP 0301(18)	DRAWN BY:	SQUAD B
FILE NAME:	...85c060\design\dc060x12.dgn	DESIGNED BY:	SQUAD B
PROJECT LEADER:	DELLASANTA	CHECKED BY:	SQUAD B
IPARM FILE NAME:	(2)dc060x04.I	SHEET	48 OF 60