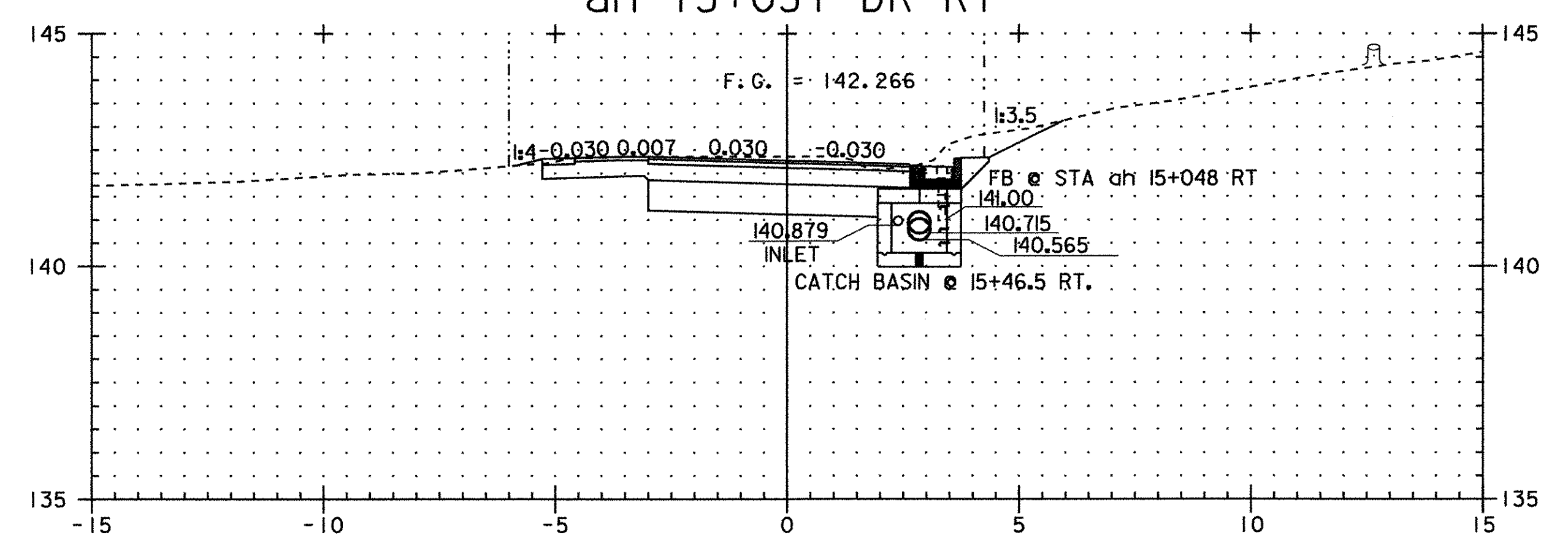
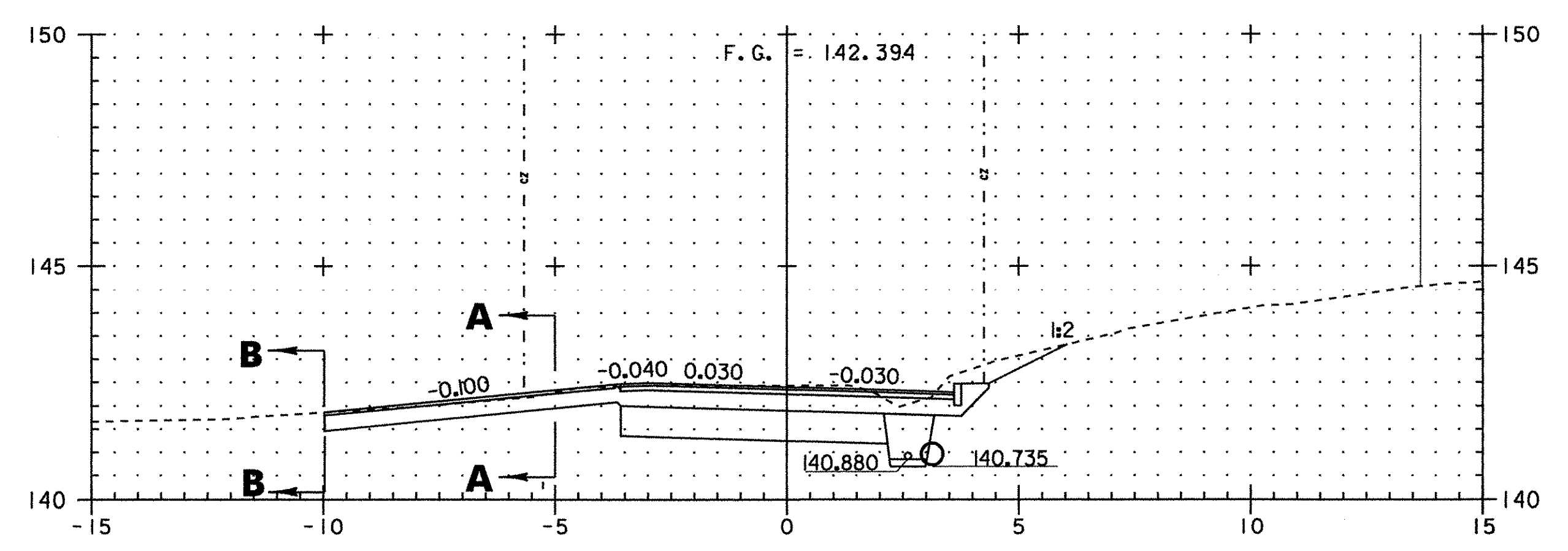


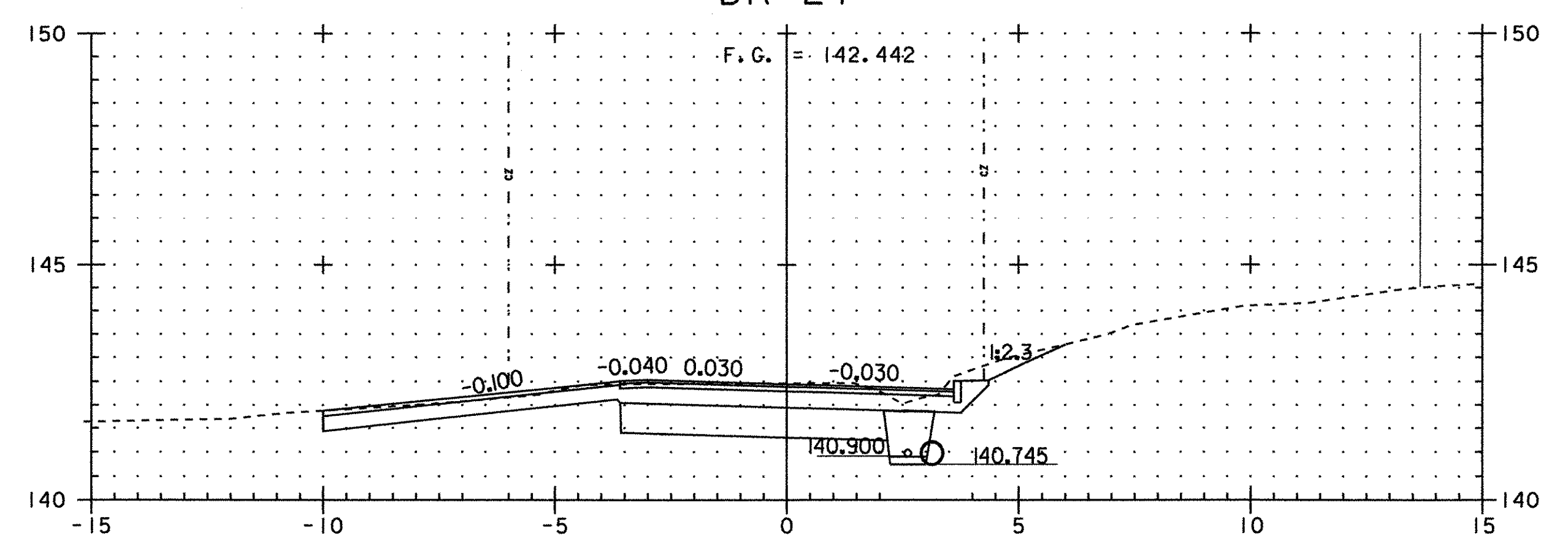
ah 15+051 DR RT



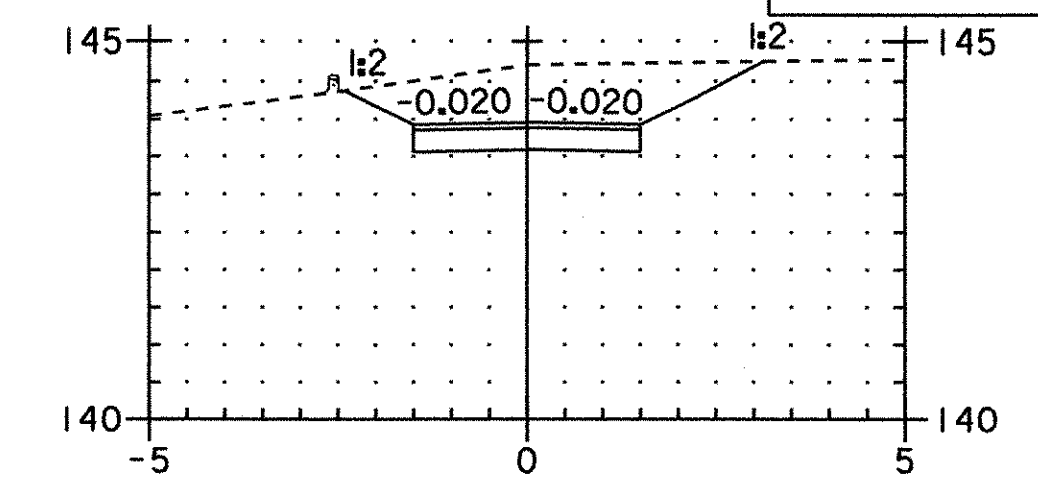
ah 15+047



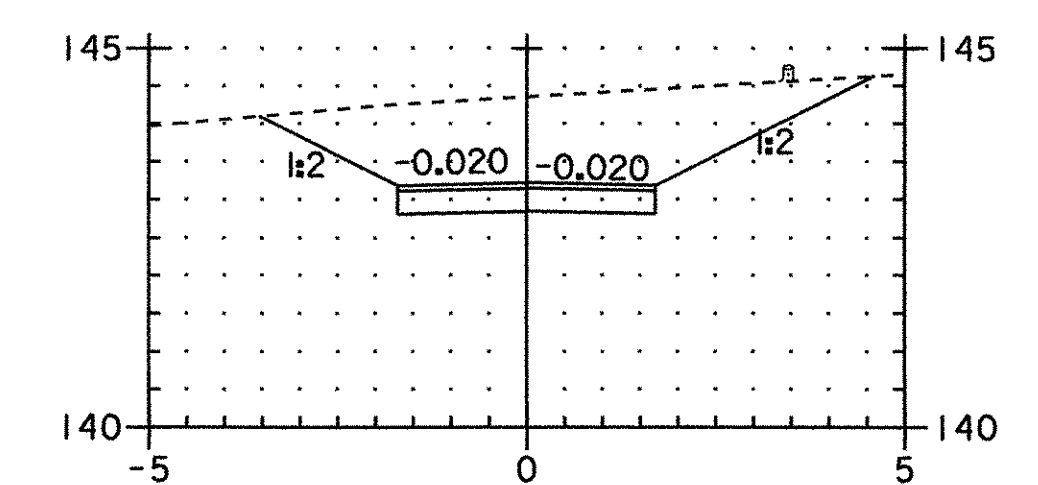
ah 15+042 DR LT



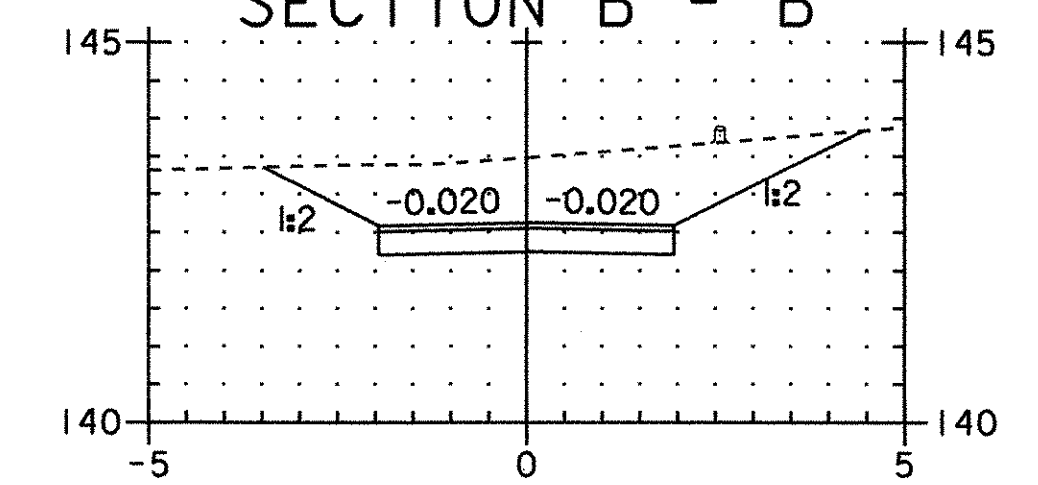
ah 15+040 DR LT



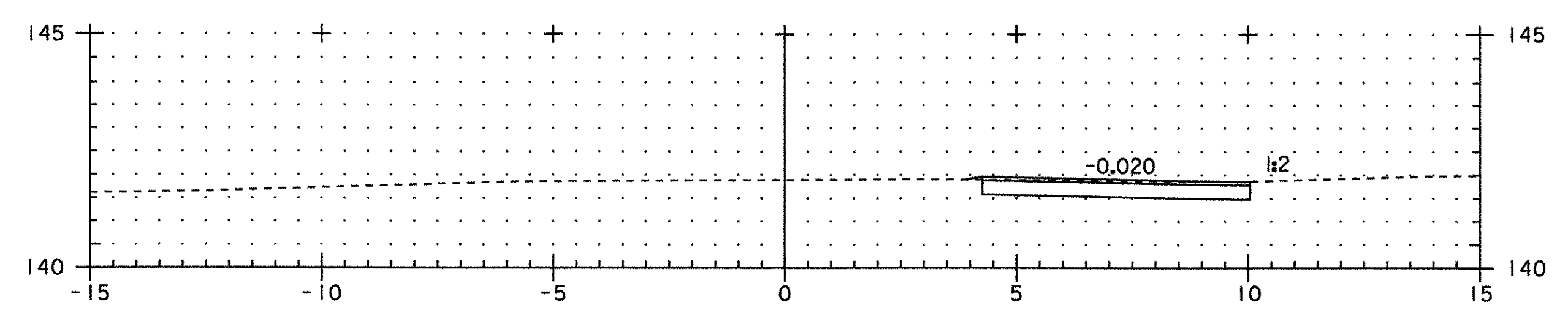
SECTION C - C



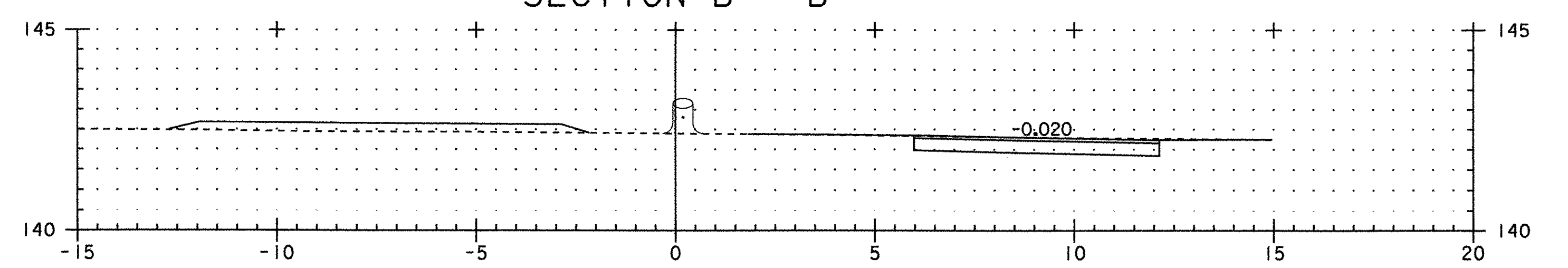
SECTION B - B



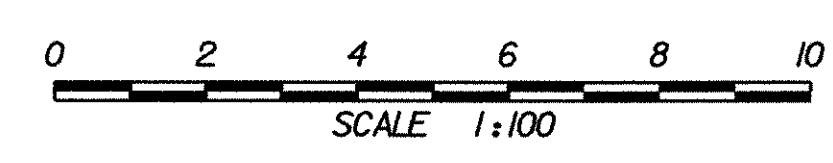
SECTION A - A  
DRIVE @ ah 15+051 RT



SECTION B - B



SECTION A - A  
DRIVE @ ah 15+028 LT & ah 15+042 LT



PROJECT NAME:	FRANKLIN	PROJECT NUMBER:	STP 0301(18)
FILE NAME:	...85c060\design\dc060x12.dgn	PLOT DATE:	20-MAR-2003
PROJECT LEADER:	DELLASANTA	DRAWN BY:	SQUAD B
DESIGNED BY:	SQUAD B	CHECKED BY:	SQUAD B
IPARM FILE NAME:	(2)dc060x02.1	SHEET	46 OF 60