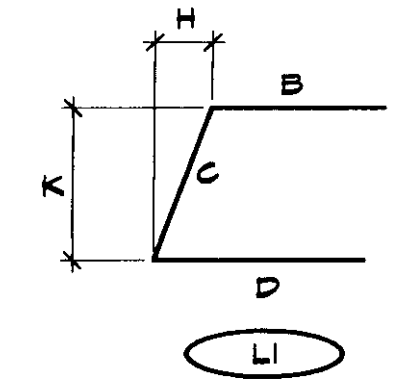


BENT BARS, TIES, & STIRRUPS

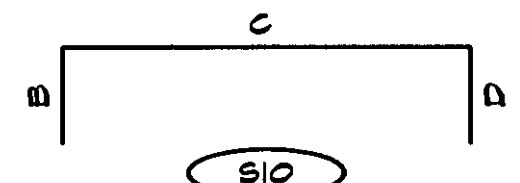
ITEM	MARK	QTY.	SIZE	LENGTH	TYPE	A	B	C	D	E	F/R	G	H	J	K	O	GRADE	REMARKS	
1	401	204	#4	11'-1"	T2	6"	3'-9 1/2"	1'-5 1/2"	3'-9 1/2"	1'-5 1/2"		6"							
2																			
3	501	32	#5	7'-2"	S10		3'-0"	1'-4"	3'-0"									60	
4	502	24	#5	9'-5 1/8"	L1		3'-0"	3'-7 1/8"	3'-0"				1'-0 5/8"		3'-6"			60	
5																			
6		16	#6	34'-8"	STR.														
7																			
8																			
9																			
10																			
11																			
12																			
13																			
14																			
15																			
16																			
17																			
18																			
19																			
20																			
21																			
22																			
23																			
24																			
25																			
26																			
27																			
28																			
29																			

MISCELLANEOUS MATERIALS

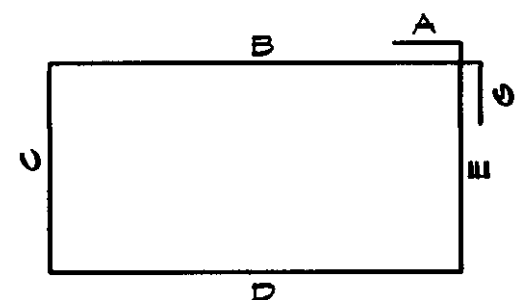
ITEM	MARK	QTY.	DESCRIPTION	REMARKS
1		8	12"φ x 5'-3" VOID	
2		8	10"φ x 16'-0" VOID	
3		12	12"φ x 16'-0" VOID	
4		56	3/4"φ x 4 1/2" NON-FERROUS VOID DRAIN	
5		16	DOUBLE 1/2"φ STRAND LIFTING LOOP	
6		8	1" THICK x 6" x 3'-10" BEARING PAD	
7				
8				
9	EM-1	6	1/2"φ POLYSTRAND x 5' x 5' W/ (1) 2"φ HOLE (GALV.)	FOR ERECTION
10		6	SINGLE USE STRESSING CHUCK	FOR ERECTION
11		3	1/2"φ POLYSTRAND x 10'-4 1/2"	FOR ERECTION
12		8	1" THICK x 6" x 3'-10" ELASTOMERIC BRG. PAD W/ (1) 2"φ HOLE	FOR ERECTION
13				
14		96	1"φ NUTS (GALV.)	
15		48	STANDARD WASHER (GALV.)	
16		48	1/4" x 2" x 5" 1/2" WASHER W/ (1) 1/4"φ HOLE (GALV.)	SEE DETAIL THIS SHEET
17		48	1"φ x 5" A325 THREADED ROD	HOT DIPPED GALV.
18		12	RAILING ANCHOR CLUSTERS (GALV.)	
19		48	BNC THREADED CLOSED FERRULE x 1 7/8" LONG (1 1/4" THREAD LENGTH)	
20		8	#8 REBAR x 2'-5" LG. (BLACK)	
21				
22				
23				
24				
25				
26				
27				
28				
29				
30				



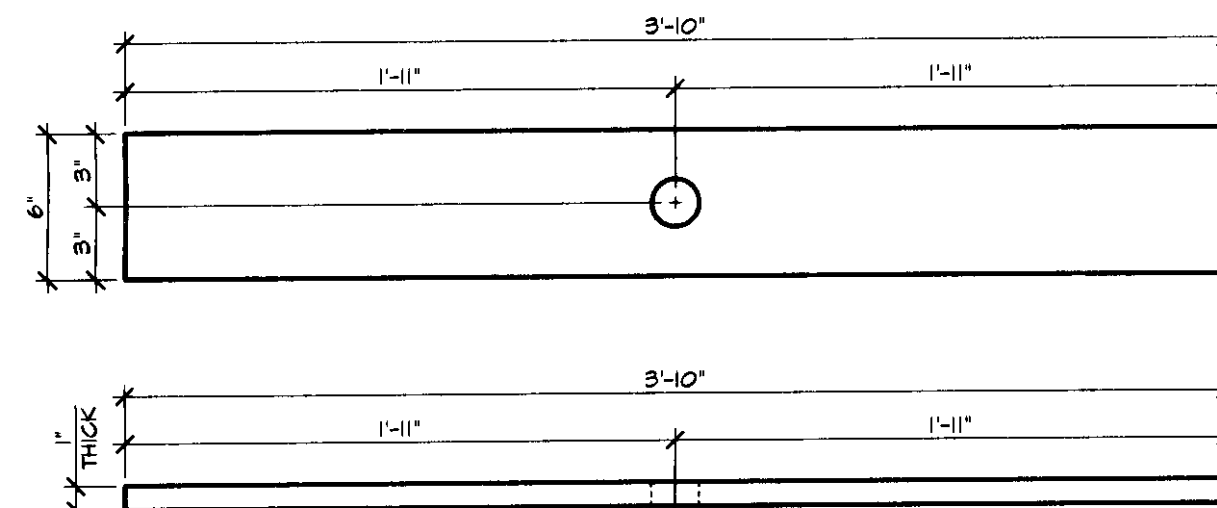
L1



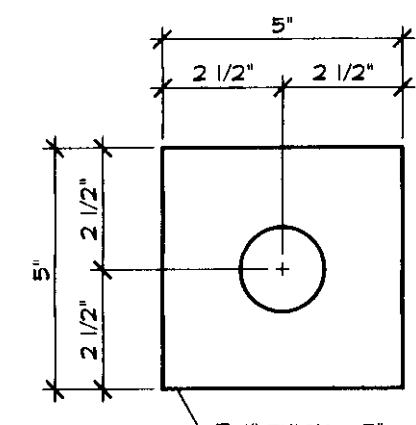
S10



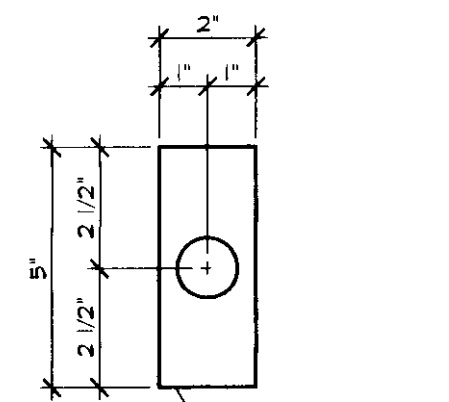
T2



BEARING PAD DETAIL
1 1/2" = 1'-0"

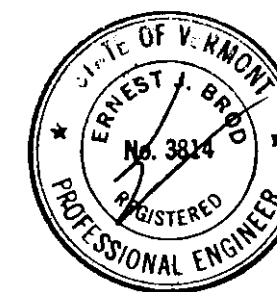


EM - 1
3" = 1'-0"



1/2" WASHER
3" = 1'-0"

APPROVAL STAMP:



J.P. CARRARA & SONS INC. Precast & Prestress Manufacturer <small>2464 CASE STR., MIDDLEBURY, VERMONT 05751 Phone:(802)388-6361 Fax:(802)388-9010</small>		J.P. CARRARA & SONS INC. CONTRACTOR MIDDLEBURY, VERMONT	
BRIDGEWATER #46 BRIDGE BRIDGEWATER, VT		DATE: JUNE 18, 2001 SCALE: NOTED	
TOWN OF BRIDGEWATER P.O. BOX 14 SOUTH GATEHOUSE BRIDGEWATER, VT 05034		CHKD: -	DFTM: K.B. JOB NO: 23162-02
MATERIALS LIST		DWG. NO: M1	