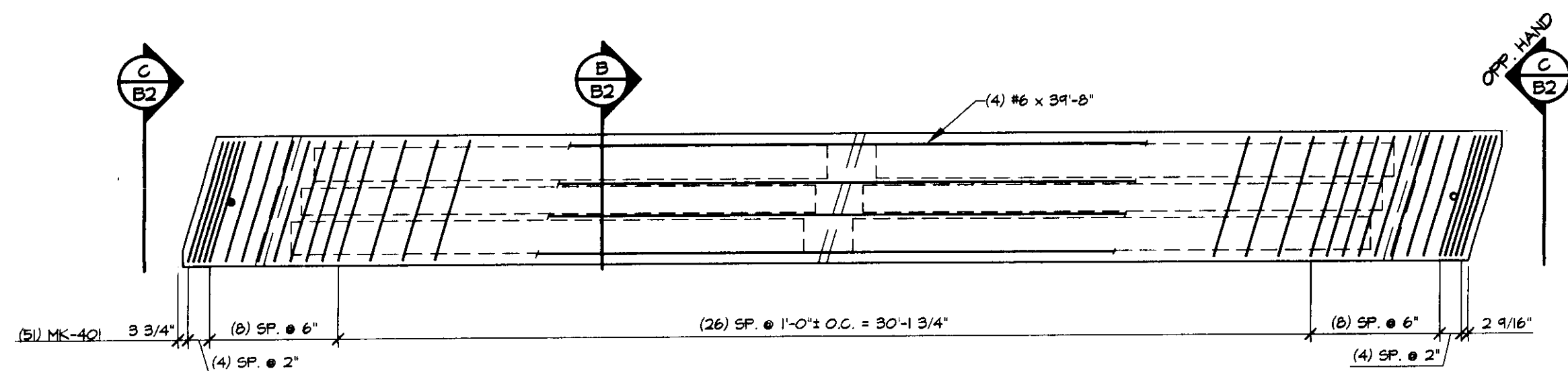
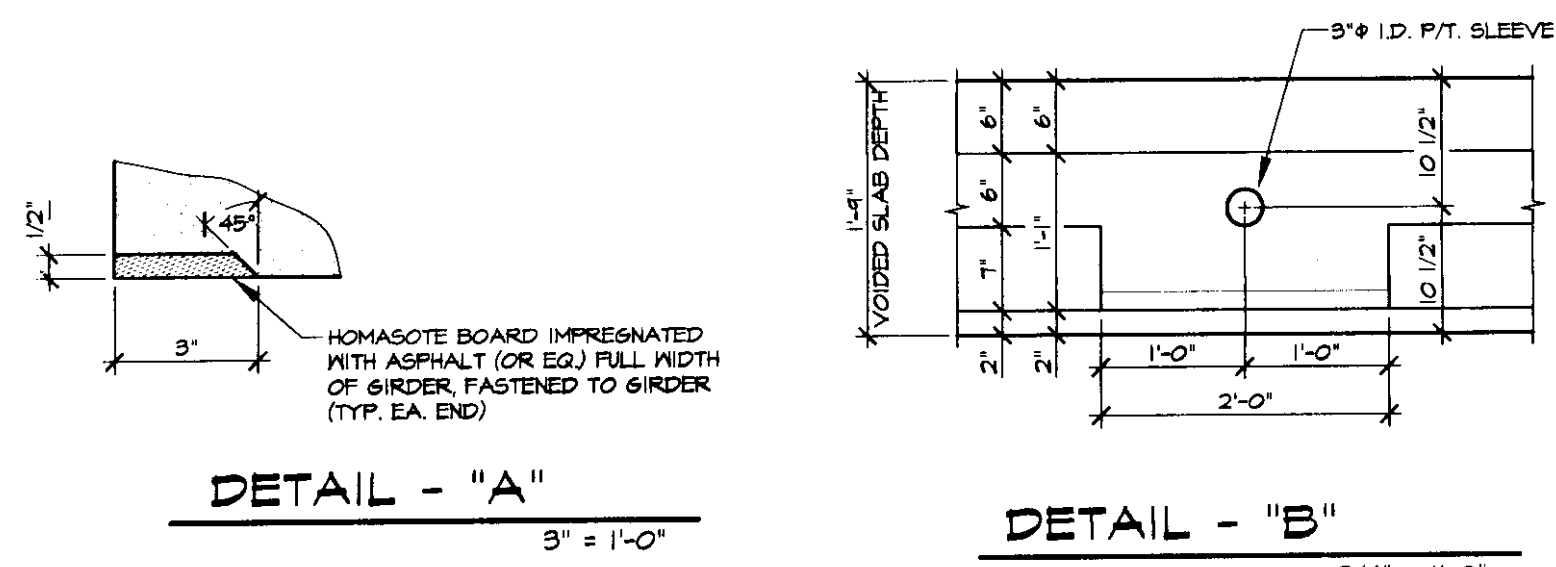


**1 DIMENSIONAL PLAN**  
B2  
1/4" = 1'-0"



**2 REINFORCING PLAN**  
B2  
1/4" = 1'-0"

SHOP NOTE:  
ADJUST REINFORCING AS REQUIRED  
TO CLEAR TRANSVERSE TENDONS, ETC.

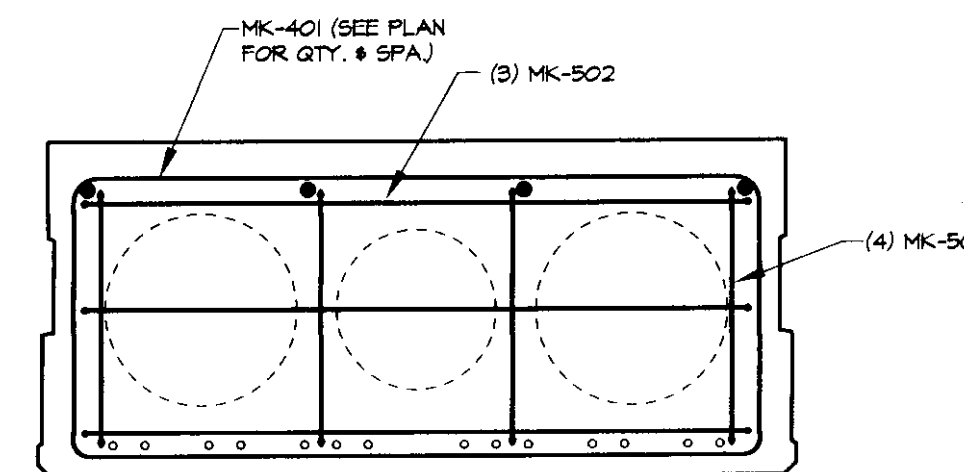


**DETAIL - "A"**  
3" = 1'-0"

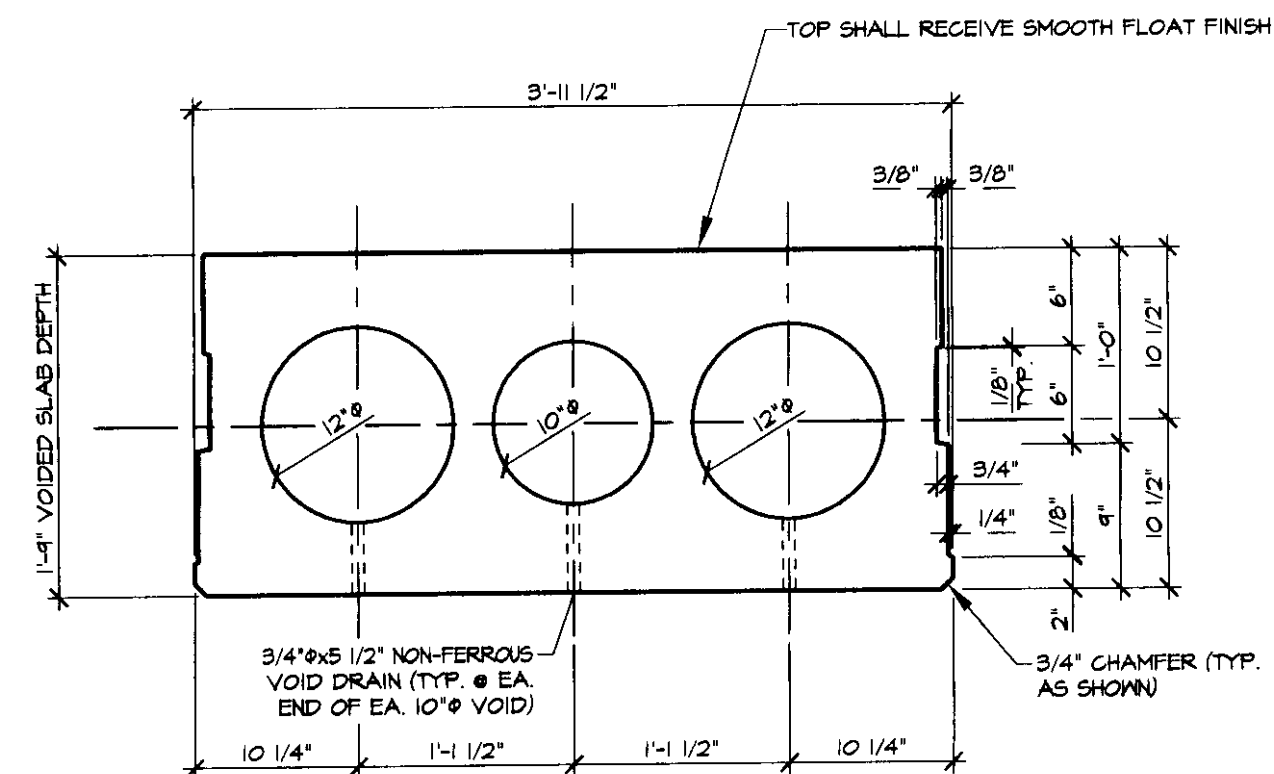
**DETAIL - "B"**  
3/4" = 1'-0"

**DETENSING SCHEDULE**  
N.T.S.

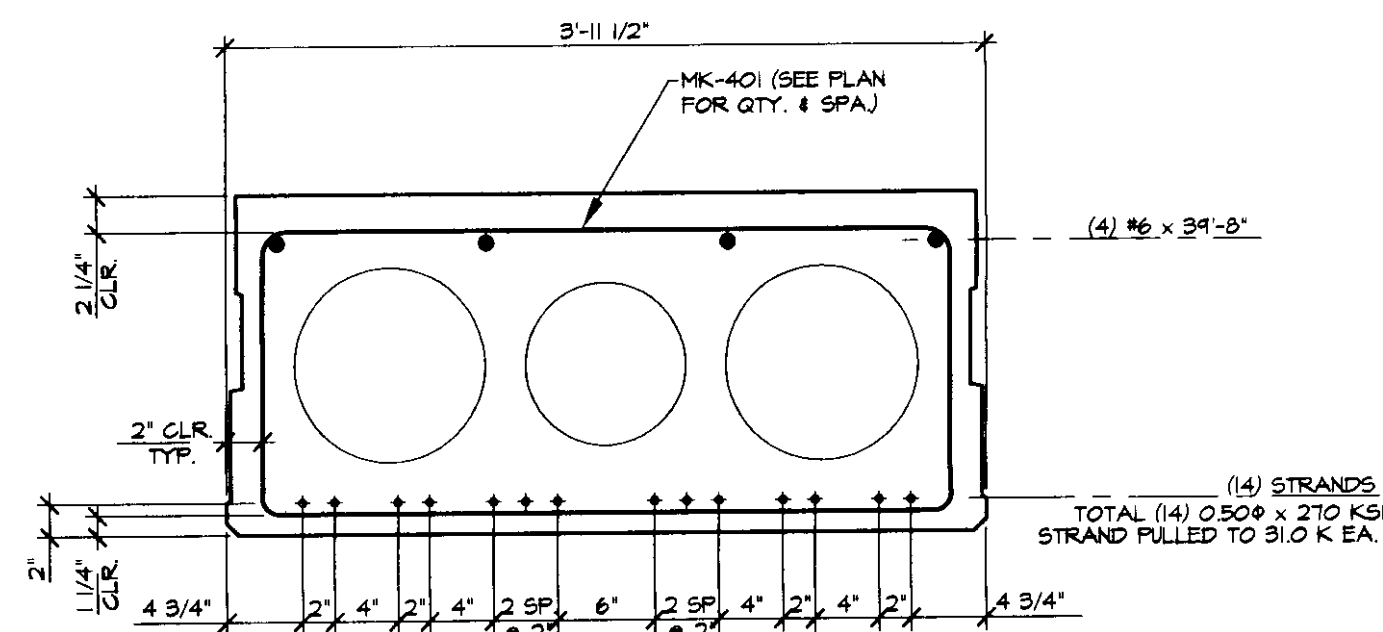
1	3	5	7	9	11	13	14	12	10	8	6	4	2
---	---	---	---	---	----	----	----	----	----	---	---	---	---



**C END BLOCK REINFORCING ELEV.**  
B2  
3/4" = 1'-0"



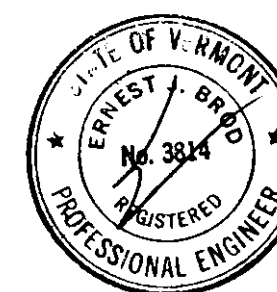
**A DIMENSIONAL SECTION**  
B2  
1" = 1'-0"



**B REINFORCING SECTION**  
B2  
1" = 1'-0"

MARK: B-2	QTY.: 2	WT./TONS: 15.79	CU. YDS.: 7.65
MATERIAL LIST / VOIDED SLAB			
ITEM	MARK	DESCRIPTION	QTY.
1	401	#4 BENT BAR	51
2			
3	501	#5 BENT BAR	8
4	502	#5 BENT BAR	6
5			
6		#6 x 39'-8"	4
7			
8			
9		10" x 16'-0" VOID	2
10		12" x 16'-0" VOID	4
11		3/4" x 4 1/2" NON-FERROUS VOID DRAIN	12
12		DOUBLE 1/2" STRAND LIFTING LOOP	4
13			
14			
15			
16			
17			
18			
19			
20			
21			
22			

APPROVAL STAMP:



<b>J.P. CARRARA &amp; SONS INC.</b> Precast & Prestress Manufacturer 2444 CASE STR., MIDDLEBURY, VERMONT 05753 Phone: (802)388-6361 Fax: (802)388-9010		<b>J.P. CARRARA &amp; SONS INC.</b> CONTRACTOR MIDDLEBURY, VERMONT	
BRIDGEWATER #46 BRIDGE BRIDGEWATER, VT		DATE: JUNE 18, 2001	
TOWN OF BRIDGEWATER P.O. BOX 14 SOUTH GATEHOUSE BRIDGEWATER, VT 05034		SCALE: NOTED	
P/S VOIDED SLAB DETAILS		CHKD: - DFTM: K.B. JOB NO: 23162-02	
		DWG. NO: <b>B2</b>	

Needs Load  
7/15