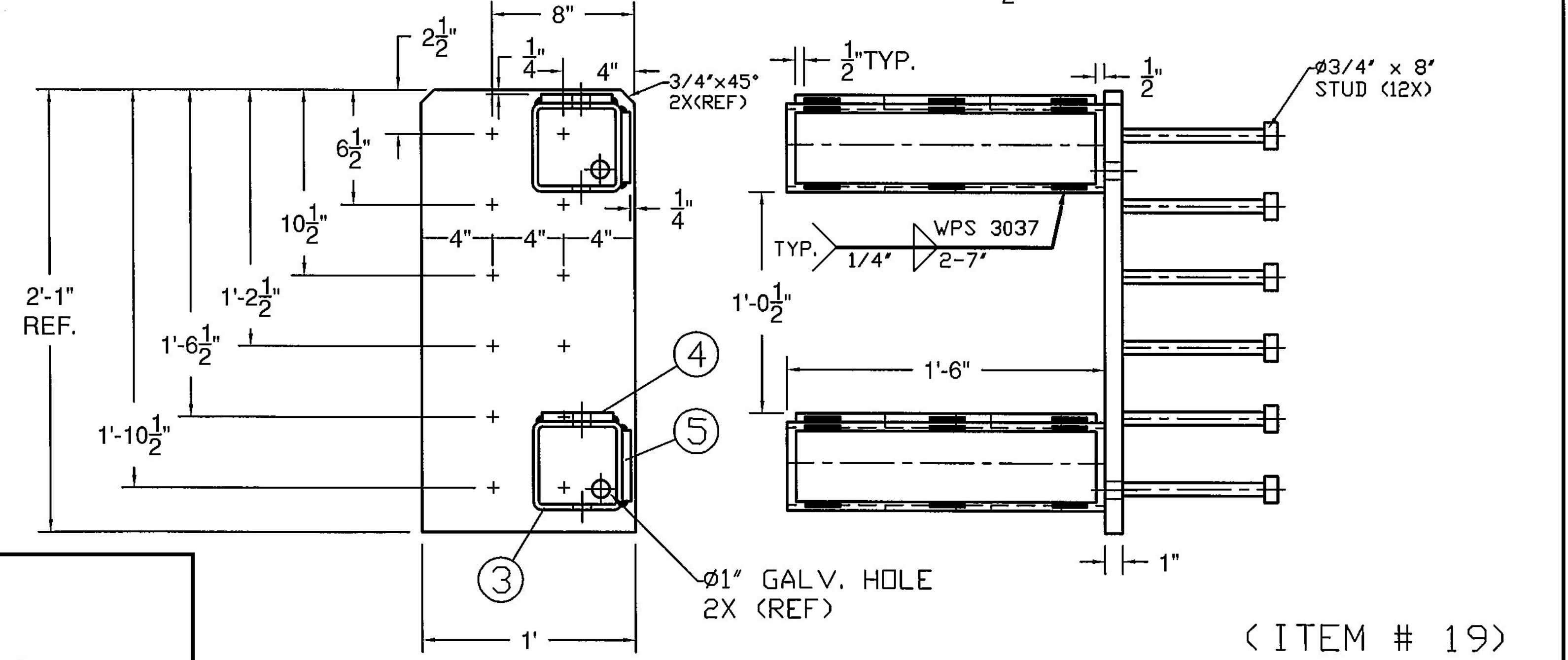
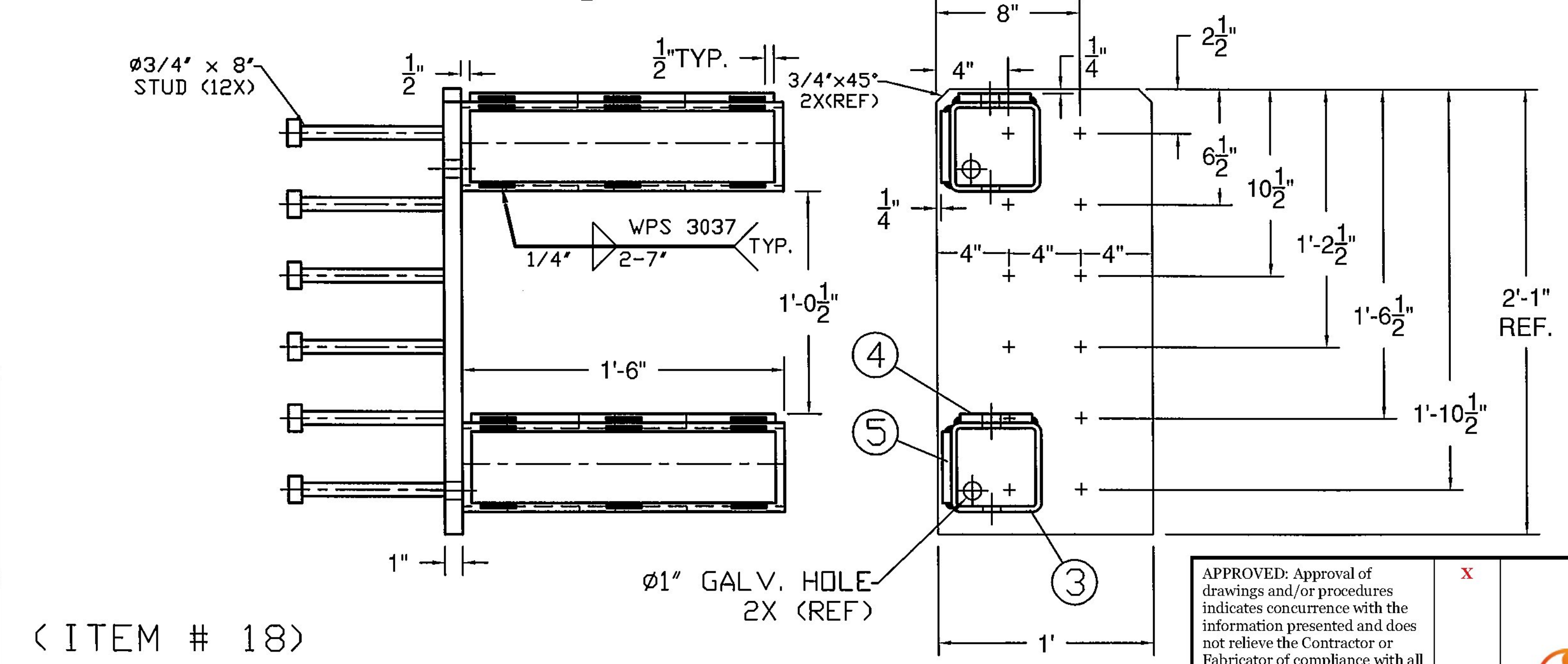
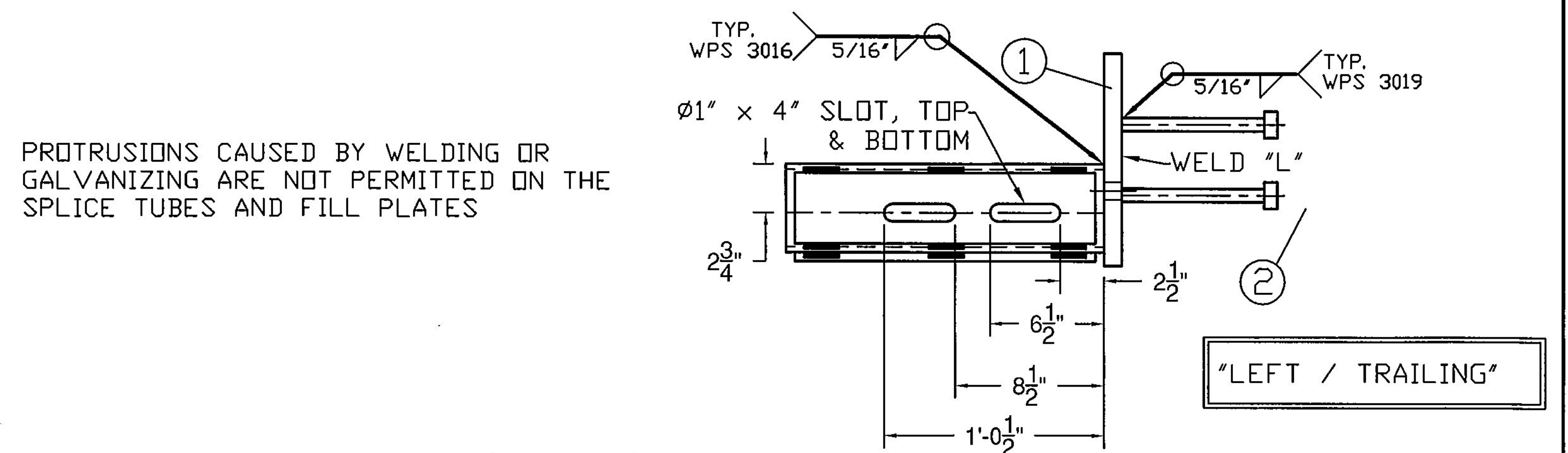
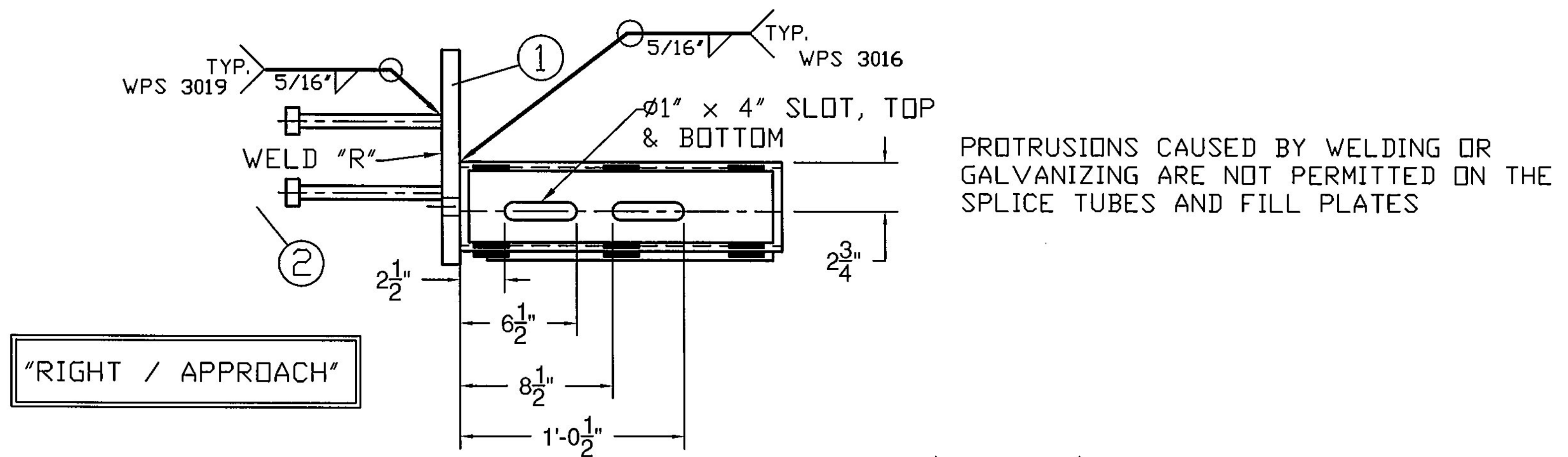


BILL OF MATERIALS			
ITEM #	QTY	DESCRIPTION	ASTM #
1	1	DBL TUBE WALL PLATE - 1' X 12' x 25'	ASTM A572 Gr. 50
2	12	Ø3/4" X 8" STUD	TO BE PURCHASED
3	2	5' X 5' X 5/16" TUBE W/ SLOTS @ 18"	ASTM A500 Gr. B
4	2	SHIM PL 1/2" X 4" X 17" W/ SLOTS	ASTM A36(ASTM A709 Gr. 36)CVN
5	2	SHIM PL 1/2" X 4" X 17" (W/O SLOTS)	ASTM A36(ASTM A709 Gr. 36)CVN

BILL OF MATERIALS			
ITEM #	QTY	DESCRIPTION	ASTM #
1	1	DBL TUBE WALL PLATE - 1' X 12' x 25'	ASTM A572 Gr. 50
2	12	Ø3/4" X 8" STUD	TO BE PURCHASED
3	2	5' X 5' X 5/16" TUBE W/ SLOTS @ 18"	ASTM A500 Gr. B
4	2	SHIM PL 1/2" X 4" X 17" W/ SLOTS	ASTM A36(ASTM A709 Gr. 36)CVN
5	2	SHIM PL 1/2" X 4" X 17" (W/O SLOTS)	ASTM A36(ASTM A709 Gr. 36)CVN



(ITEM # 18)

(ITEM # 19)

APPROVED: Approval of drawings and/or procedures indicates concurrence with the information presented and does not relieve the Contractor or Fabricator of compliance with all specifications and code requirements	X
APPROVED AS NOTED	
REVISE AND RESUBMIT	
NOT REVIEWED	
Date: 2/13/15	
By: George Bogue	
<p>This review by Stantec Consulting Services Inc. is for the sole purpose of ascertaining conformance with the general design concept. This review shall not mean that Stantec Consulting Services Inc approves the detail design inherent in the shop drawings, responsibility for which shall remain with the Contractor. Submitting same, and such review shall not relieve the Contractor of his responsibility for errors or omissions in the shop drawing or of his responsibility for meeting all requirements of the Contract Documents. The contractor is responsible for dimensions to be confirmed and correlated at the job site, for information that pertains solely to the fabrication processes or to techniques of construction and installation and for coordination of the work of all subtrades.</p>	



ITEM #: 525.45

STRUCTURAL STEEL TO COMPLY W/ ASTM A6

BRIDGE RAIL DETAILS SHEET
CHICKEN FARM ROAD (T.H. 16) CLASS 3 LOCAL ROAD, BRIDGE # 36
TOWN OF CORINTH, ORANGE COUNTY

R NO.	DATE	DESCRIPTION	BY	R NO.	DATE	DESCRIPTION	BY

TOLERANCE UNLESS OTHERWISE NOTED:
FRACTIONS = ± 1/16"
ANGLES = ± 1/2"
DIAMETERS = ± 1/32"

ELDERLEE, INC.
OAKS CORNERS, NEW YORK 14518
E-Mail: dlong@elderlee.com / epeek@elderlee.com
Tel: 315-789-6670 Fax: 315-789-6615

DRAWN	E.P.	11/24/14
CHECKED	D.L.	
APPROVED		
SCALE	SCHEMATIC	
DRAWING NO. FR L - CORINTH		

SHEET 3 OF 3