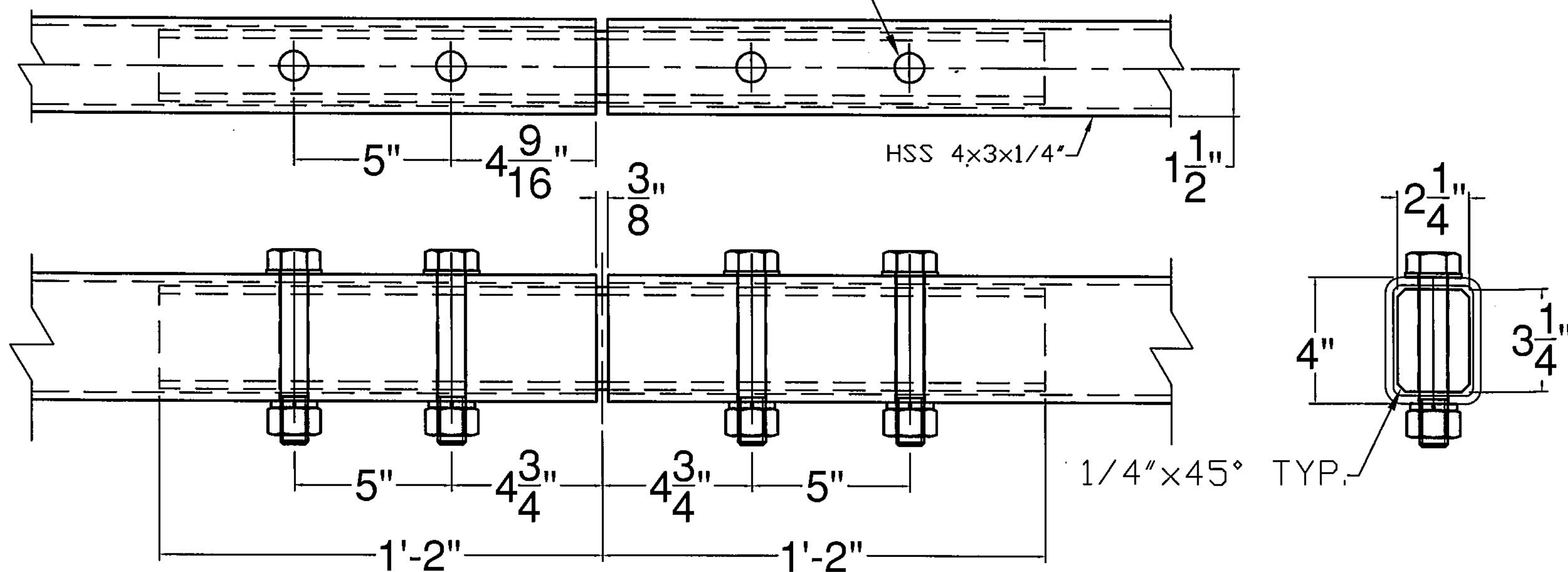


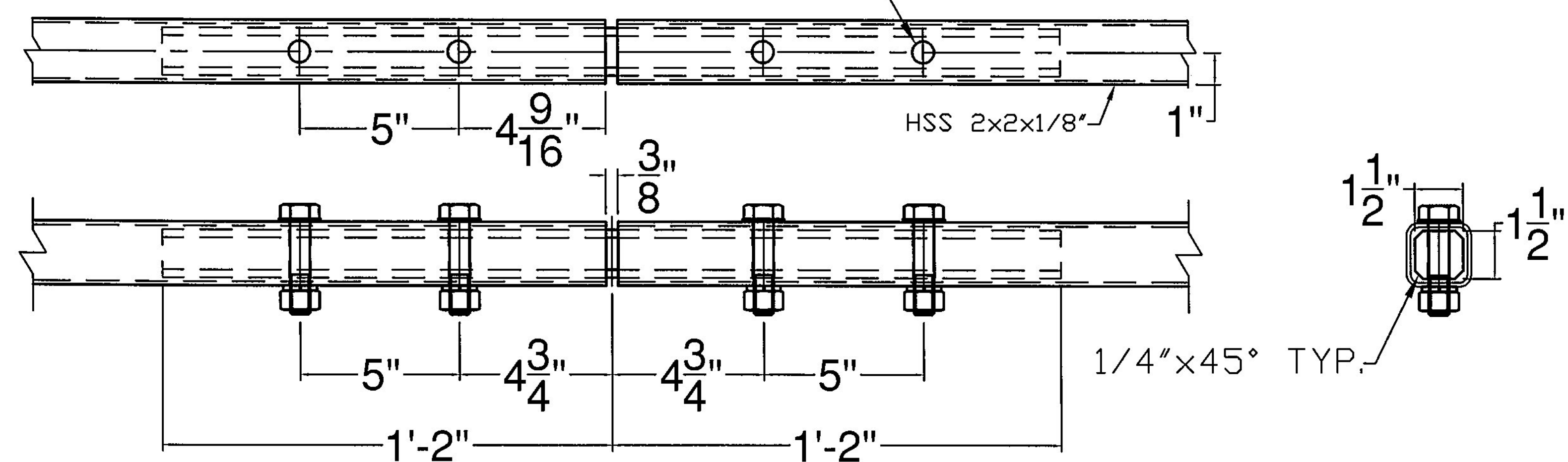
Ø15/16" THRU TUBE & SPLICE BAR,
 Ø7/8" X 5 1/2" HEX BOLT & NUT,
 W/ (1) PLAIN HARDENED WASHER &
 (1) LOCK WASHER (4 PLACES)


TOP RAIL FIXED SPLICE DETAIL



Ø11/16" THRU TUBE & SPLICE BAR,
 Ø5/8" X 3" HEX BOLT & NUT,
 W/ (1) PLAIN HARDENED WASHER &
 (1) LOCK WASHER (4 PLACES)

BOTTOM RAIL FIXED SPLICE DETAIL



APPROVED: Approval of drawings and/or procedures indicates concurrence with the information presented and does not relieve the Contractor or Fabricator of compliance with all specifications and code requirements	X	
APPROVED AS NOTED		
REVISE AND RESUBMIT		
NOT REVIEWED		
Date: 2/13/15		
By: George Bogue		
<p>This review by Stantec Consulting Services Inc. is for the sole purpose of ascertaining conformance with the general design concept. This review shall not mean that Stantec Consulting Services Inc approves the detail design inherent in the shop drawings, responsibility for which shall remain with the Contractor. Submitting same, and such review shall not relieve the Contractor of his responsibility for errors or omissions in the shop drawing or of his responsibility for meeting all requirements of the Contract Documents. The contractor is responsible for dimensions to be confirmed and correlated at the job site, for information that pertains solely to the fabrication processes or to techniques of construction and installation and for coordination of the work of all subtrades.</p>		

ITEM #: 525.45

SHEET 2 OF 3

STRUCTURAL STEEL TO COMPLY W/ ASTM A6

BRIDGE RAIL DETAILS SHEET

CHICKEN FARM ROAD (T.H. 16) CLASS 3 LOCAL ROAD, BRIDGE # 36
 TOWN OF CORINTH, ORANGE COUNTY

TOLERANCE UNLESS OTHERWISE NOTED:
 FRACTIONS = ± 1/16"
 ANGLES = ± 1/2"
 DIAMETERS = ± 1/32"

R NO.	DATE	DESCRIPTION	BY	R NO.	DATE	DESCRIPTION	BY
E				E			
V				V			

DRAWN	E.P.	11/24/14
CHECKED	D.L.	
APPROVED		
SCALE	SCHEMATIC	
DRAWING NO. FR L - CORINTH		


ELDERLEE, INC.
 OAKS CORNERS, NEW YORK 14518
 E-Mail: dlong@elderlee.com / epeek@elderlee.com
 Tel: 315-789-6670 Fax: 315-789-6615