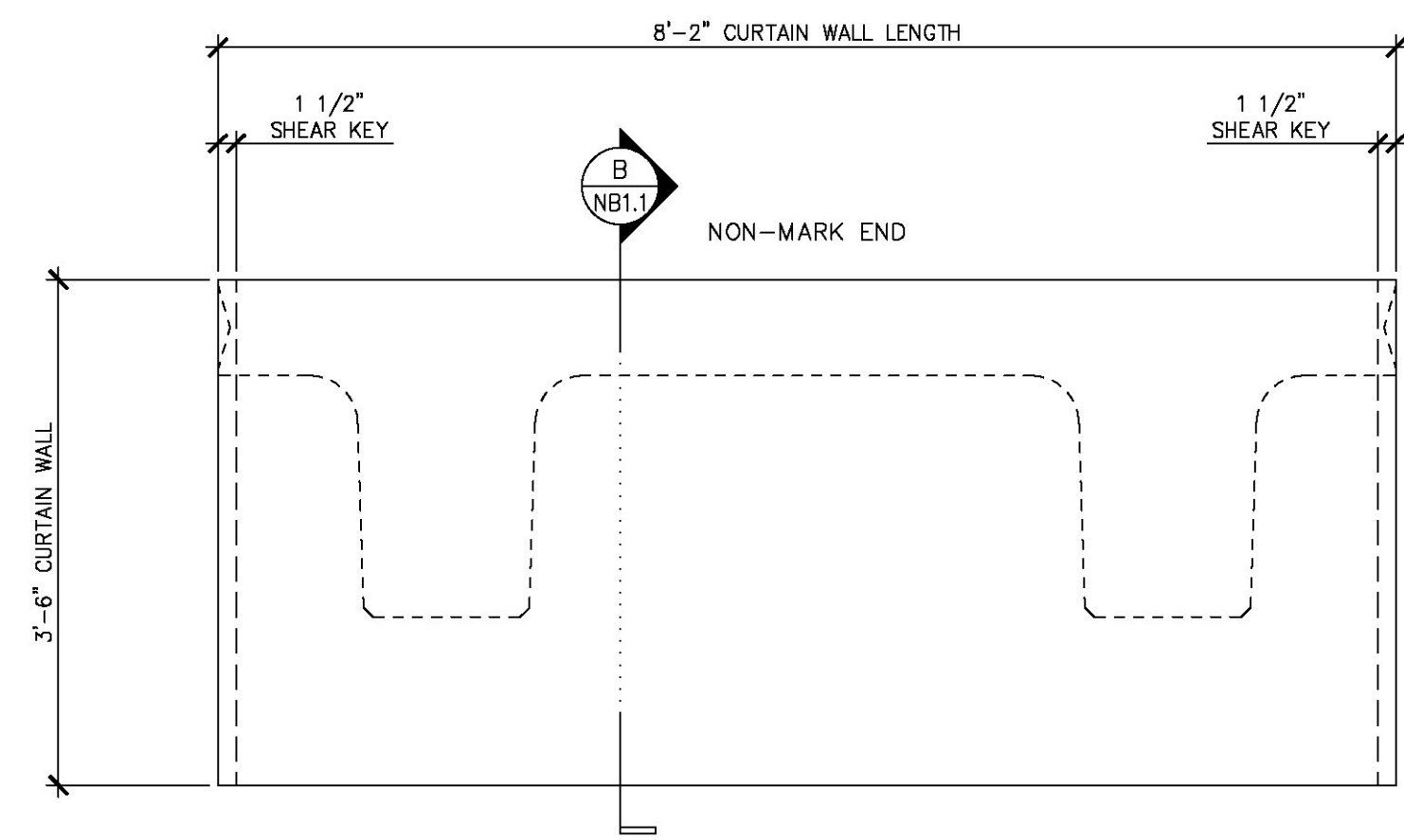
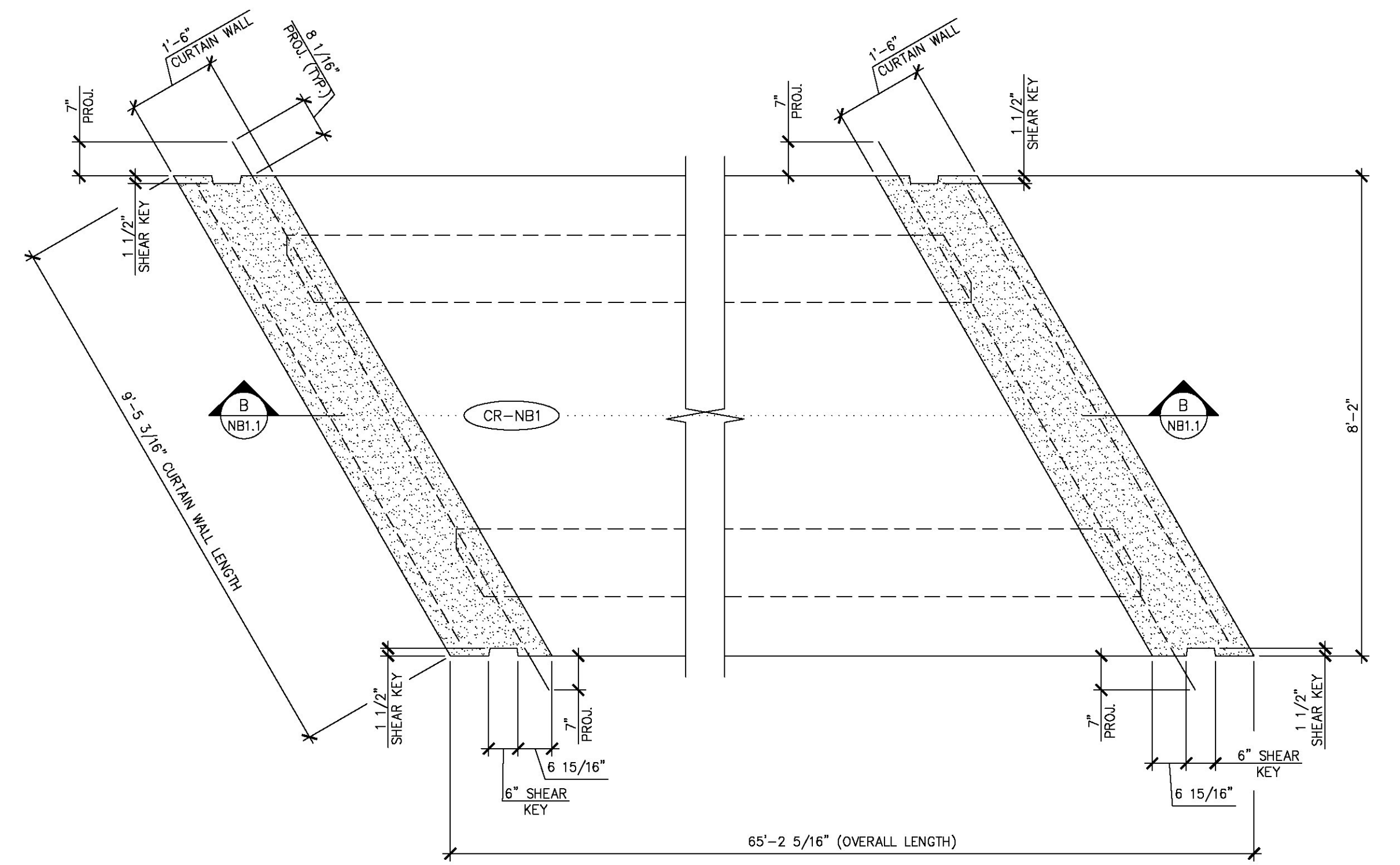


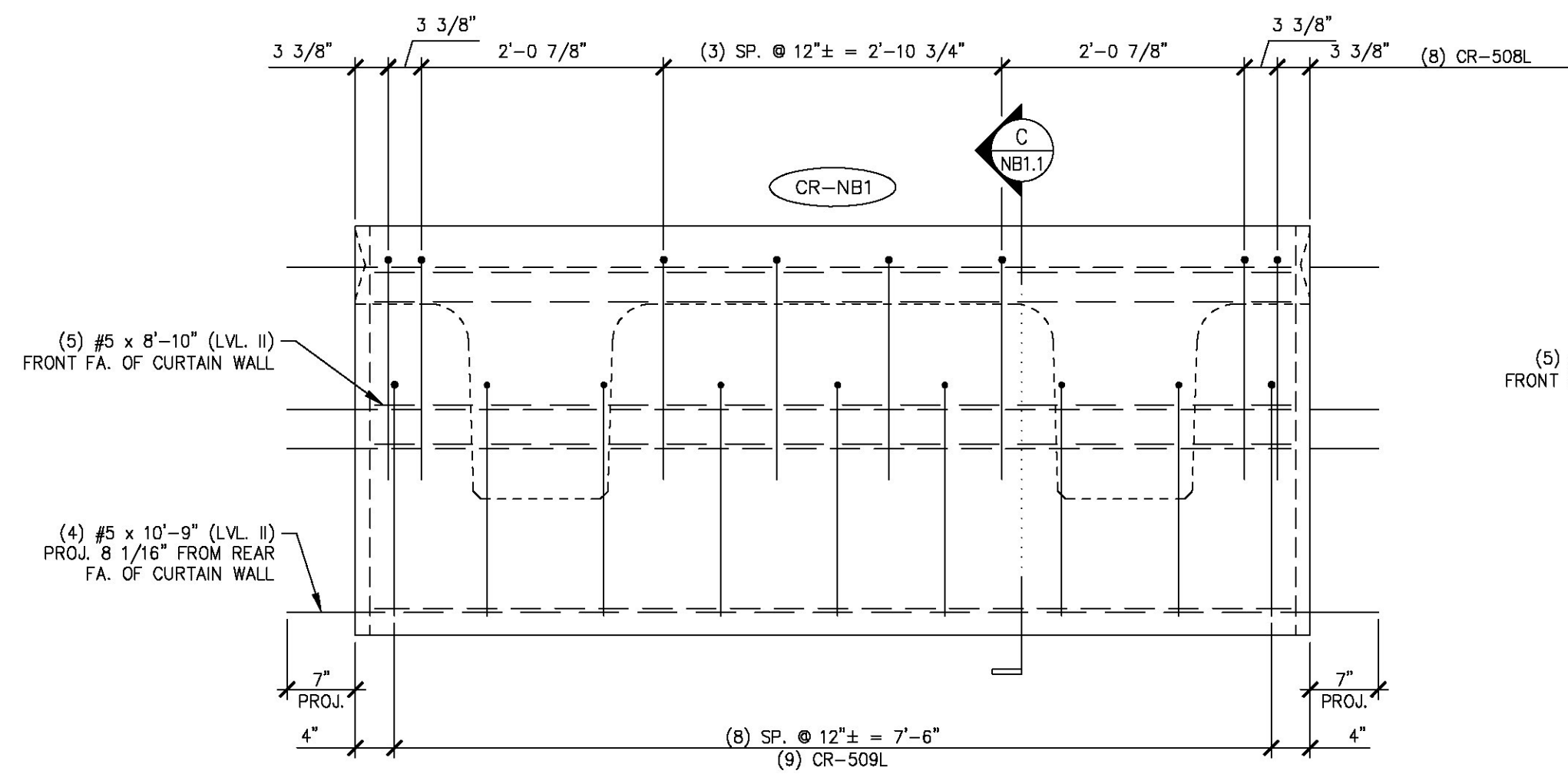
1 CURTAIN WALL DIMENSIONAL ELEVATION
NB2.2 VOL.: 1.53 cy WT.: 3.10 T 3/4" = 1'-0"



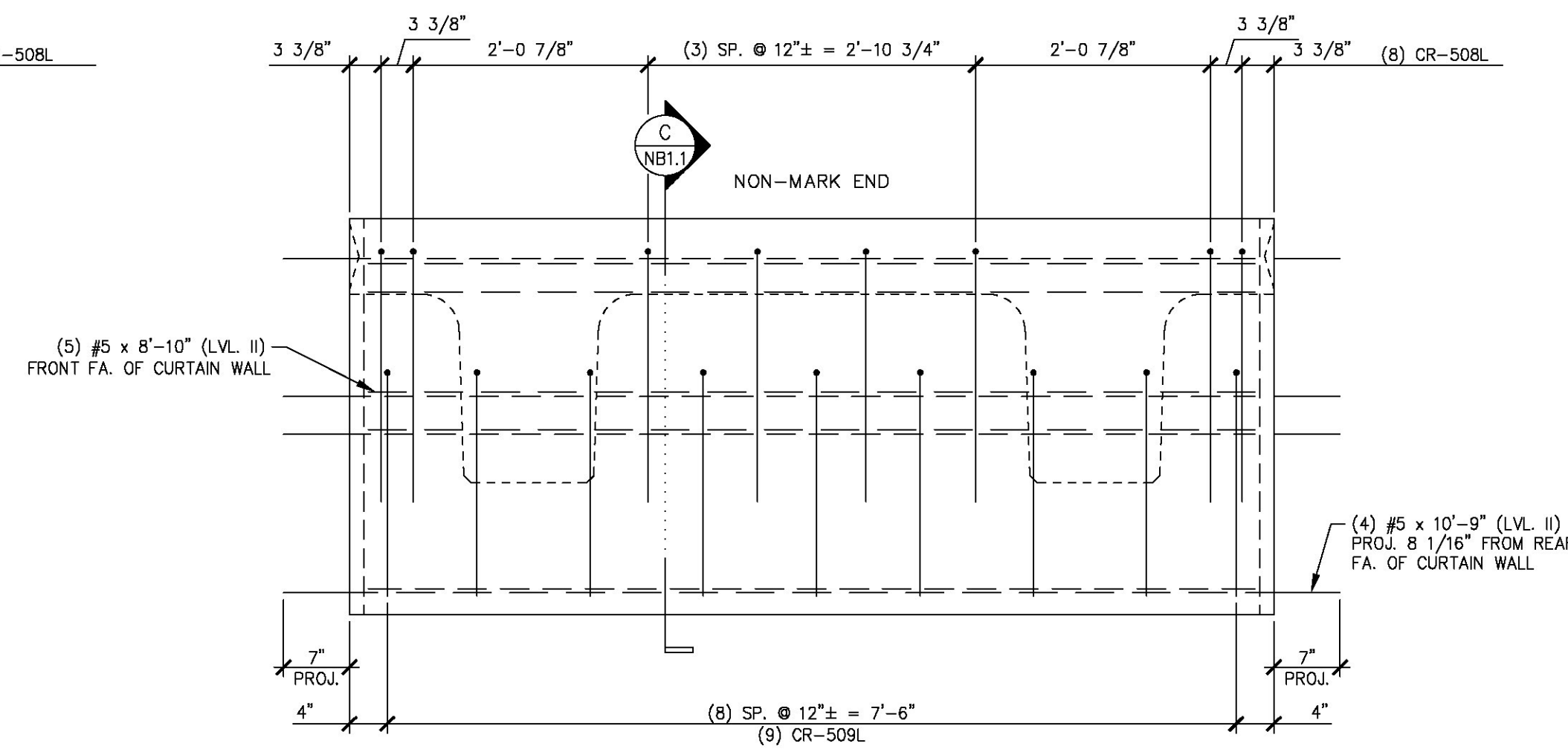
3 CURTAIN WALL DIMENSIONAL ELEVATION
NB2.2 VOL.: 1.53 cy WT.: 3.10 T 3/4" = 1'-0"



5 CURTAIN WALL DIMENSIONAL PLAN
NB2.2 1/2" = 1'-0"



2 CURTAIN WALL REINFORCING ELEVATION
NB2.2 3/4" = 1'-0"



4 CURTAIN WALL REINFORCING ELEVATION
NB2.2 3/4" = 1'-0"

44.20 T = NEXT BEAM
3.10 T = CURTAIN WALL (MARK END)
3.10 T = CURTAIN WALL (NON-MARK END)
50.40 T = TOTAL BEAM WT.

MARK:	CR-NB1	QTY.:	1	
MATERIAL LIST / CURTAIN WALL				
ITEM	MARK	DESCRIPTION	QTY./CURTAIN WALL	
			MARK END	NON-MARK END
1	CR-508L	#5 BENT BAR (LEVEL II, DUAL COATED)	8	8
2	CR-509L	#5 BENT BAR (LEVEL II, DUAL COATED)	9	9
3				
4		#5 x 10'-9" (LVL. II, DUAL COATED)	4	4
5		#5 x 8'-10" (LVL. II, DUAL COATED)	5	5
6				
7				
8				
9				
10				

APPROVED: Approval of drawings and/or procedures indicates concurrence with the information presented and does not relieve the Contractor or Fabricator of compliance with all specifications and code requirements.

APPROVED AS NOTED

REVISE AND RESUBMIT

NOT REVIEWED

Date: 3/27/2015

By: Michael J. Chenette

This review by Stantec Consulting Services Inc. is for the sole purpose of ascertaining conformance with the general design concept. This review shall not mean that Stantec Consulting Services Inc. approves the detail design inherent in the shop drawings, responsibility for which shall remain with the Contractor. Submitting same, and such review shall not relieve the Contractor of his responsibility for errors or omissions in the shop drawing or of his responsibility for meeting all requirements of the Contract Documents. The contractor is responsible for dimensions to be confirmed and correlated at the job site, for information that pertains solely to the fabrications processes or to techniques of construction and installation and for coordination of the work of all subtrades.

Stantec

APPROVAL STAMP:

J.P. CARRARA & SONS INC. AUSTIN CONSTRUCTION, INC.
Precast & Prestress Manufacturer CONTRACTOR
2464 OISE STR., MIDDLEBURY, VERMONT 05753 Phone:(802)388-6361 Fax:(802)388-9010 CONCORD, VERMONT

STATE OF VERMONT AGENCY OF TRANSPORTATION COUNTY OF ORANGE DATE: MAR. 13, 2015
SCALE: NOTED

TOWN OF CORINTH CHICKEN FARM ROAD T.H.16 CLASS 3 LOCAL ROAD CHKD: RM DFTM: PSS
BRIDGE NO.: 36 PROJECT NO.: BRO 1447 (29) JOB NO: 23448-014

PRECAST CURTAIN WALL DETAILS DWG. NO: NB2.2