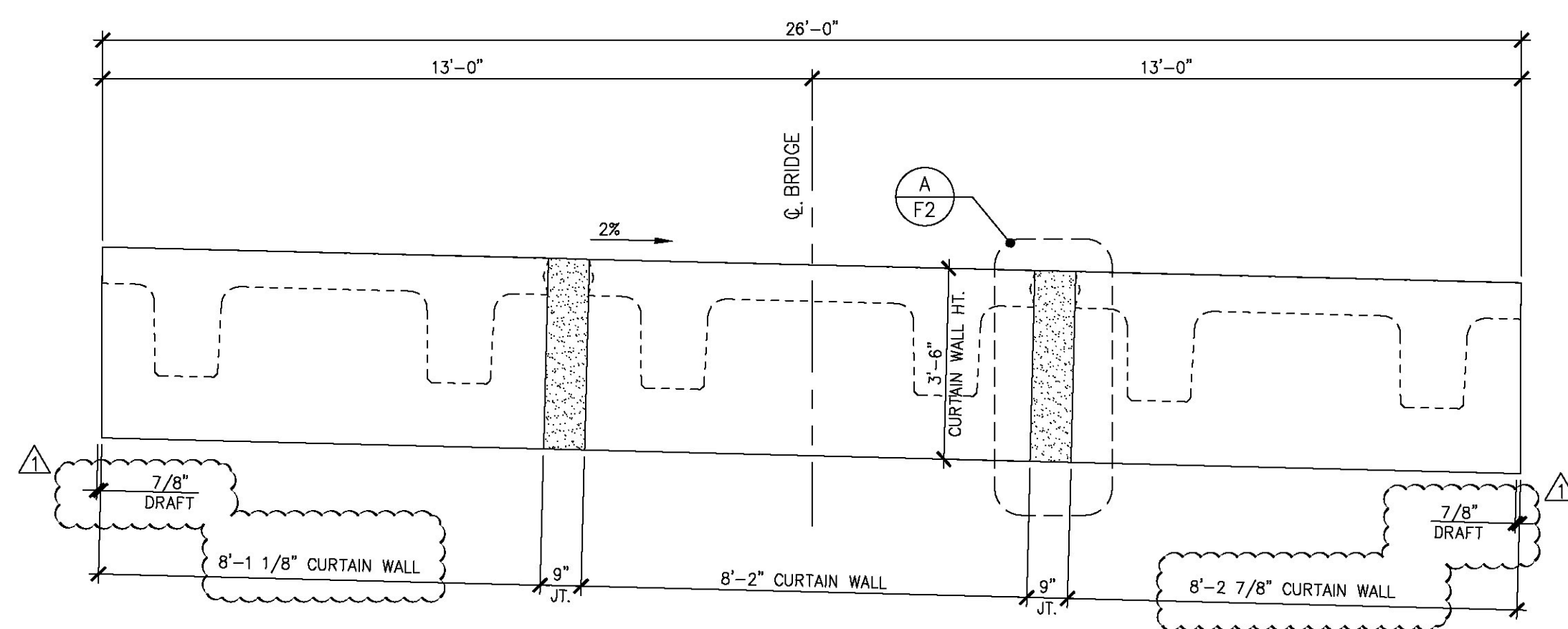
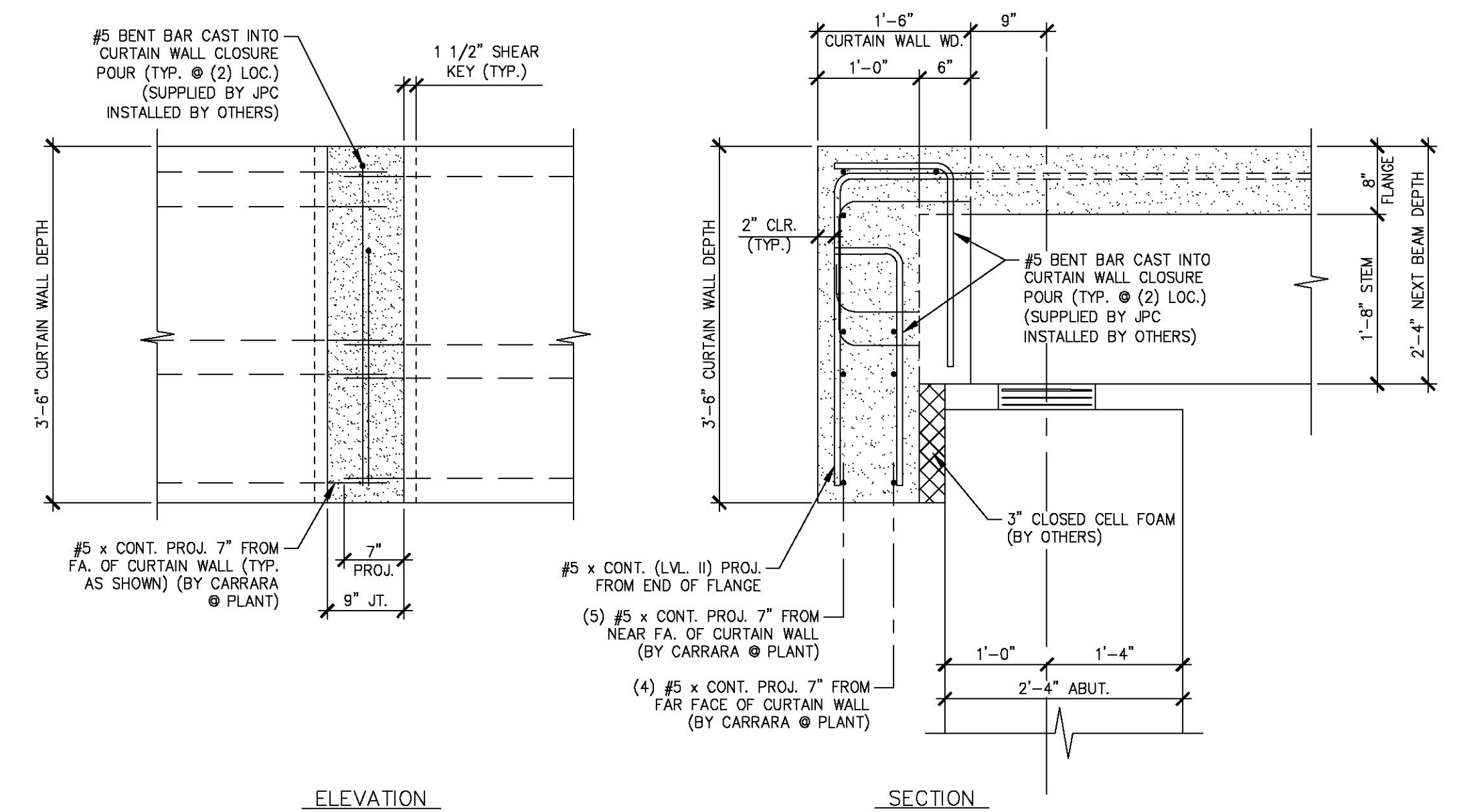
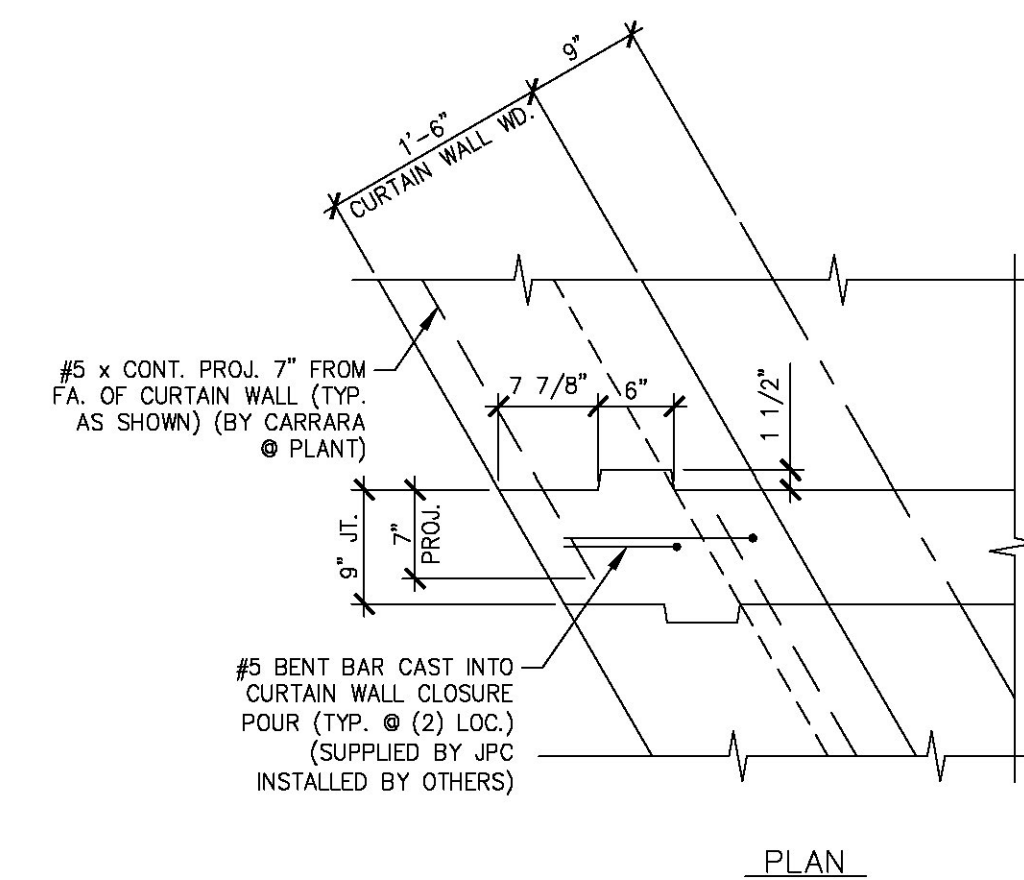


1 CURTAIN WALL ELEVATION - ABUTMENT #1
 F2 (MARK END) 3/8" = 1'-0"



2 CURTAIN WALL ELEVATION - ABUTMENT #2
 F2 (NON-MARK END) 3/8" = 1'-0"



A CURTAIN WALL CLOSURE POUR DETAILS
 F2 3/4" = 1'-0"

| | | |
|--|---|--|
| APPROVED: Approval of drawings and/or procedures indicates concurrence with the information presented and does not relieve the Contractor or Fabricator of compliance with all specifications and code requirements | X | |
| APPROVED AS NOTED | | |
| REVISE AND RESUBMIT | | |
| NOT REVIEWED | | |
| Date: 3/27/2015 | | |
| By: Michael J. Chenette | | |
| <small>This review by Stantec Consulting Services Inc. is for the sole purpose of ascertaining conformance with the general design concept. This review shall not mean that Stantec Consulting Services Inc. approves the detail design inherent in the shop drawings, responsibility for which shall remain with the Contractor. Submitting same, and such review shall not relieve the Contractor of his responsibility for errors or omissions in the shop drawing or of his responsibility for meeting all requirements of the Contract Documents. The contractor is responsible for dimensions to be confirmed and correlated at the job site, for information that pertains solely to the fabrication processes or to techniques of construction and installation and for coordination of the work of all subtrades.</small> | | |

03-13-15 REVISED PER EOR COMMENTS

| |
|-----------------|
| APPROVAL STAMP: |
|-----------------|

| | | | |
|---|--|---|-----------|
| J.P. CARRARA & SONS INC. Precast & Prestress Manufacturer <small>2464 OISE STR., WOODLURY, VERMONT 05753 Phone:(802)388-6361 Fax:(802)388-9010</small> | | AUSTIN CONSTRUCTION, INC. CONTRACTOR <small>CONCORD, VERMONT</small> | |
| STATE OF VERMONT AGENCY OF TRANSPORTATION COUNTY OF ORANGE | | DATE: MAR. 13, 2015 | |
| TOWN OF CORINTH CHICKEN FARM ROAD T.H.16 CLASS 3 LOCAL ROAD BRIDGE NO.: 36 PROJECT NO.: BRO 1447 (29) | | SCALE: NOTED | |
| CURTAIN WALL ELEVATIONS | | CHKD: RM | DFTM: PSS |
| | | JOB NO: 23448-014 | |
| | | DWG. NO: | F2 |