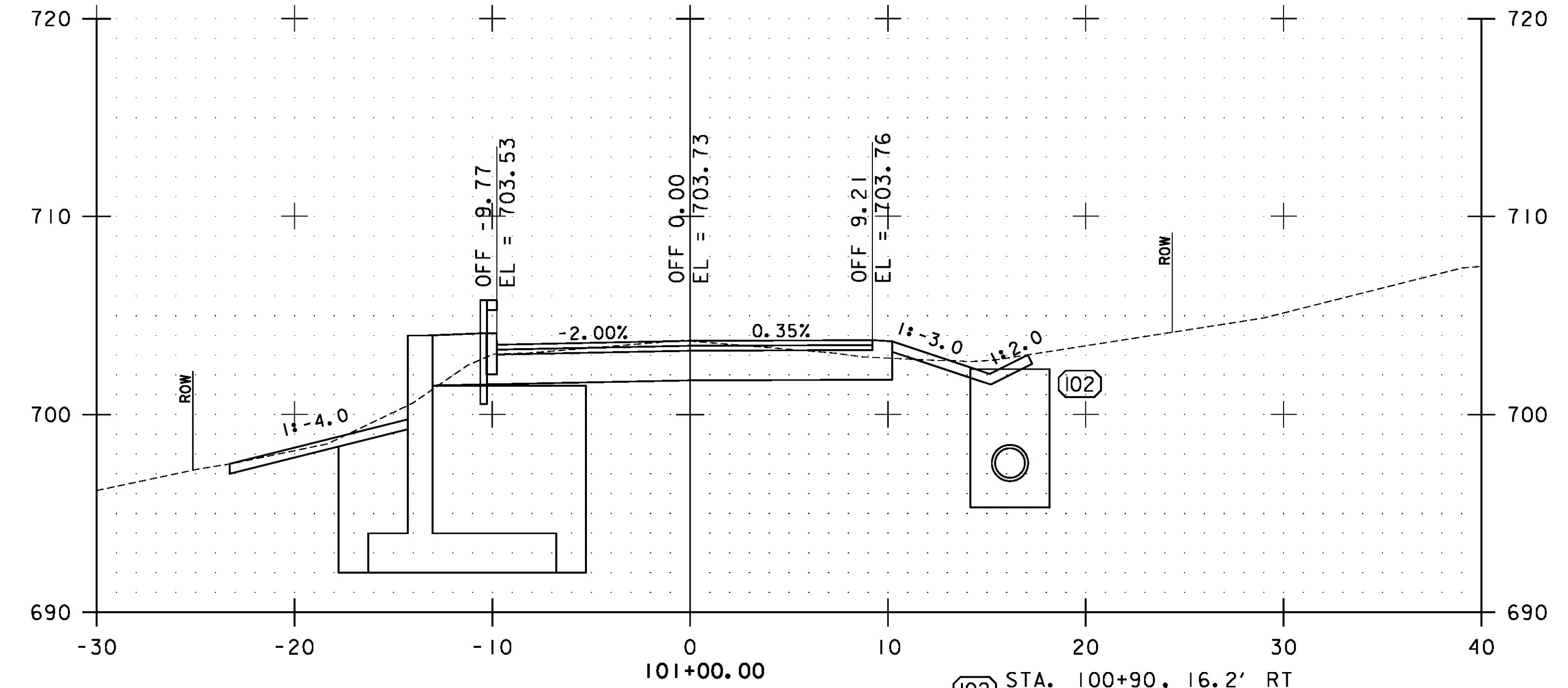
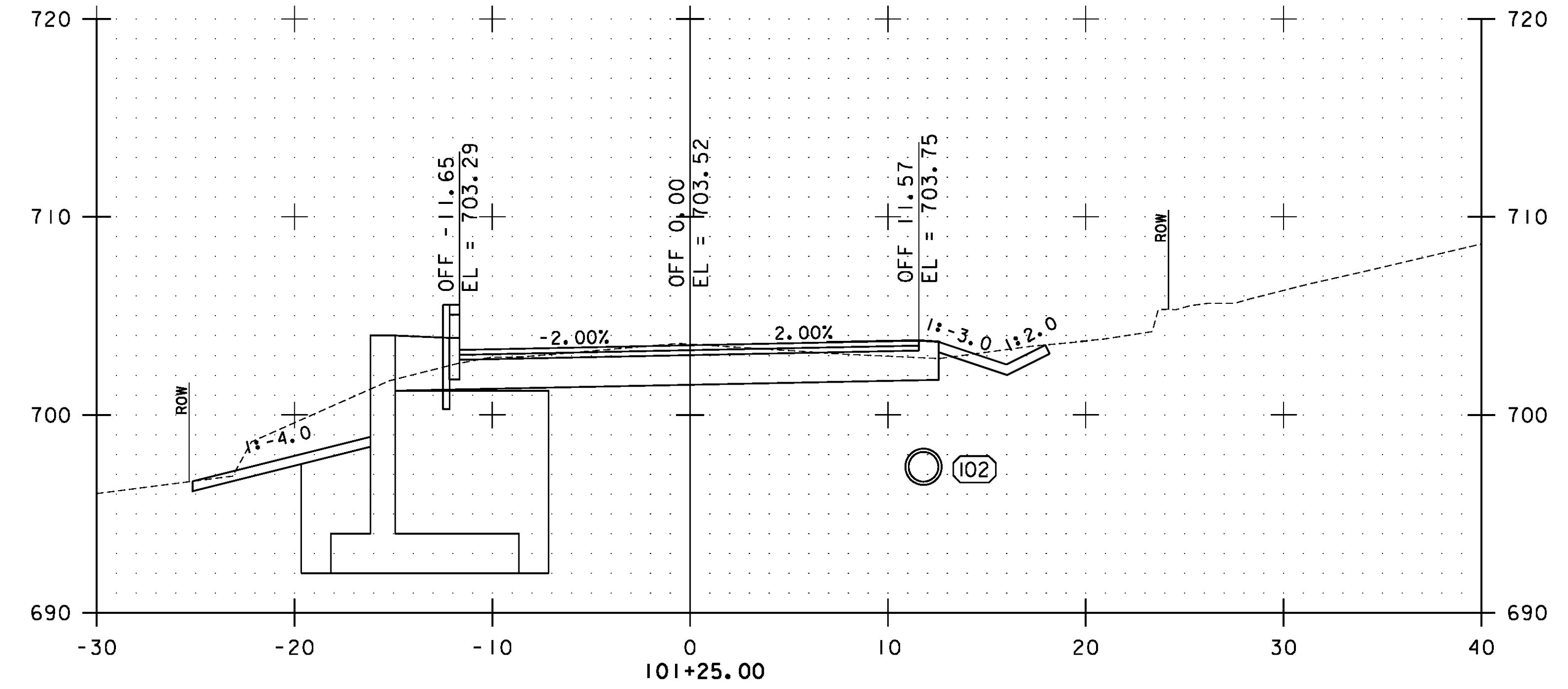
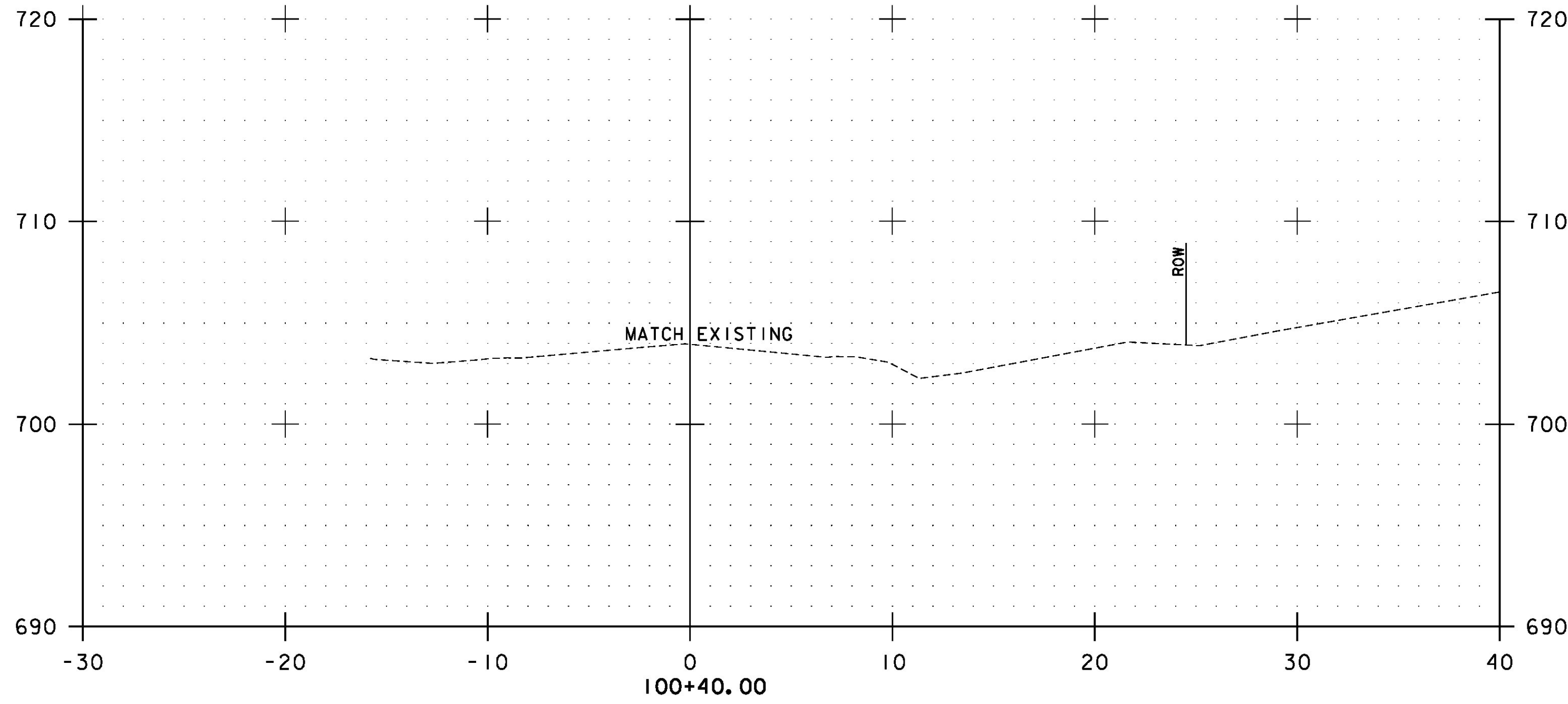
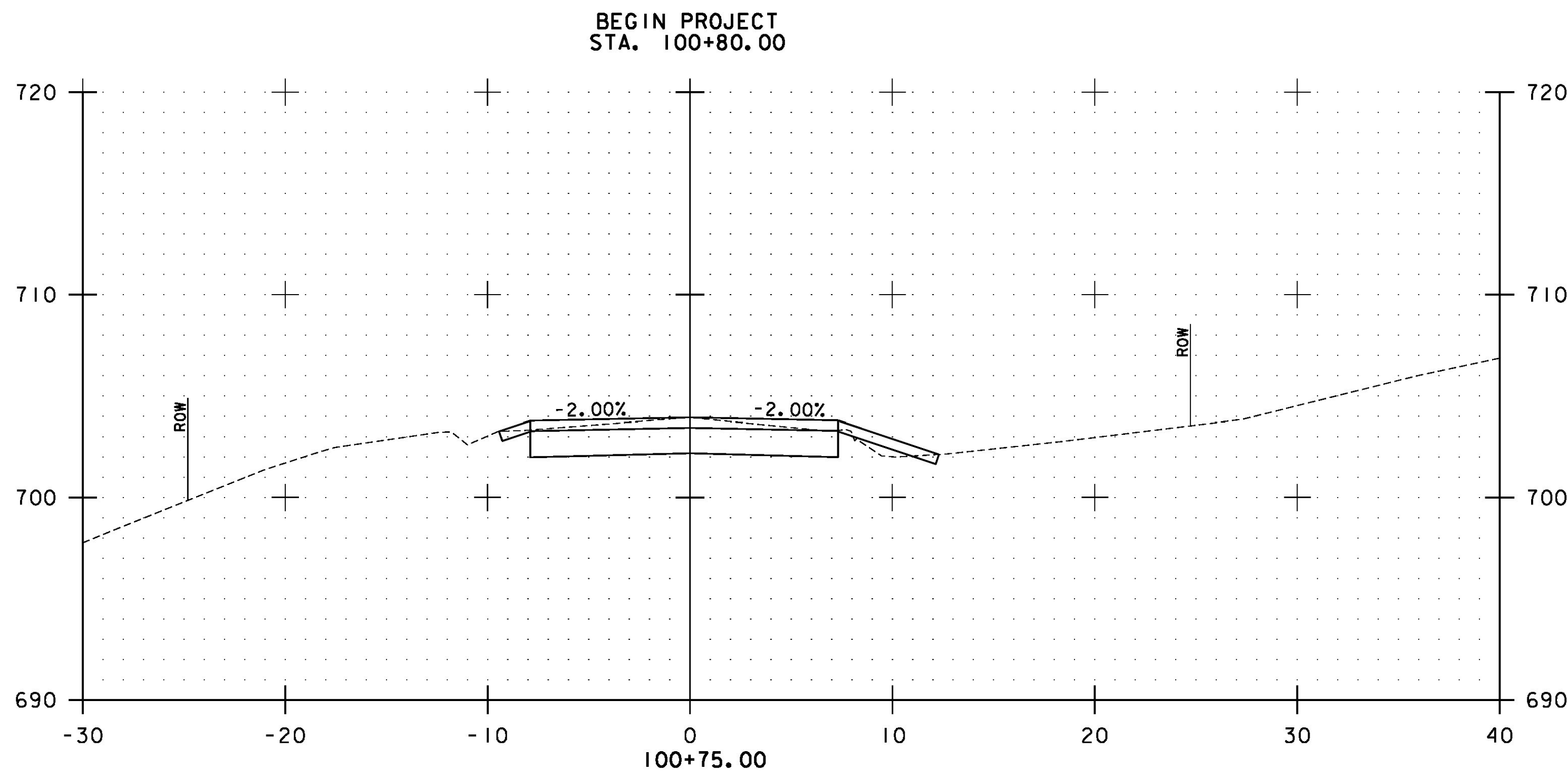
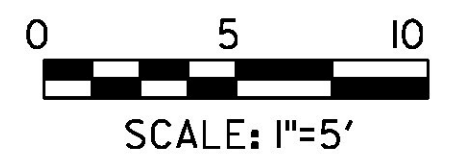


8/4/2014 12:44:40 PM V:\9533\active\95310795\transportation\drawing\201292.xsd.dgn



(102) STA. 100+90.16.2' RT
 18" PIPE OPTION
 INV EL. = ~~696.80~~ 697.00'
 DI INLET
 GRATE EL. = ~~702.30~~ 702.40'

STA. 100+40.00 TO STA. 101+25.00



PROJECT NAME:	CORINTH
PROJECT NUMBER:	BRO 1447(29)
FILE NAME: ...drawing\201292.xsd.dgn	PLOT DATE: 8/4/2014
PROJECT LEADER: G. BOGUE	DRAWN BY: E. ALLING
DESIGNED BY: M. CHENETTE	CHECKED BY: G. BOGUE
ROADWAY CROSS SECTIONS - RXS 1	SHEET 43 OF 57