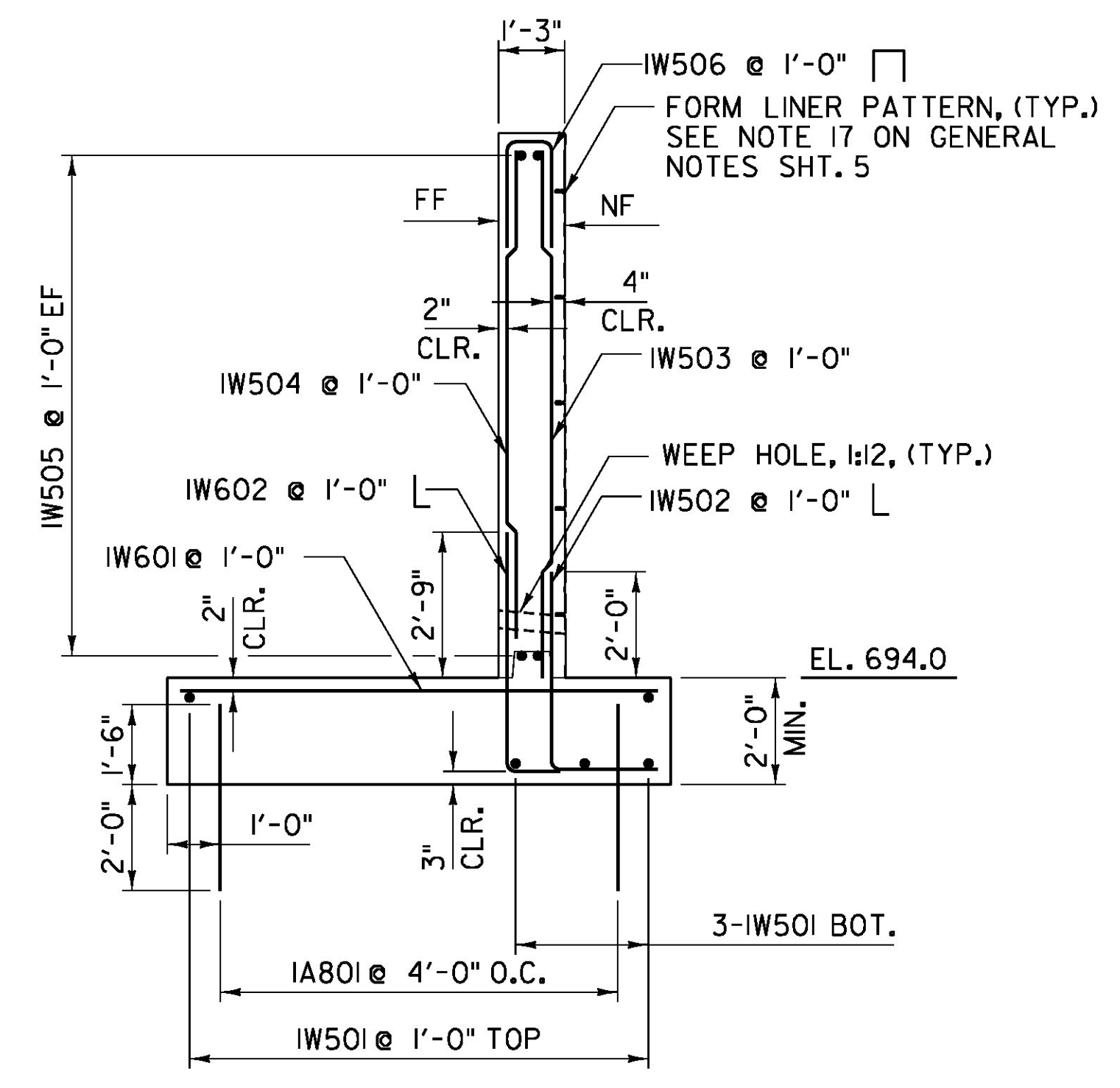
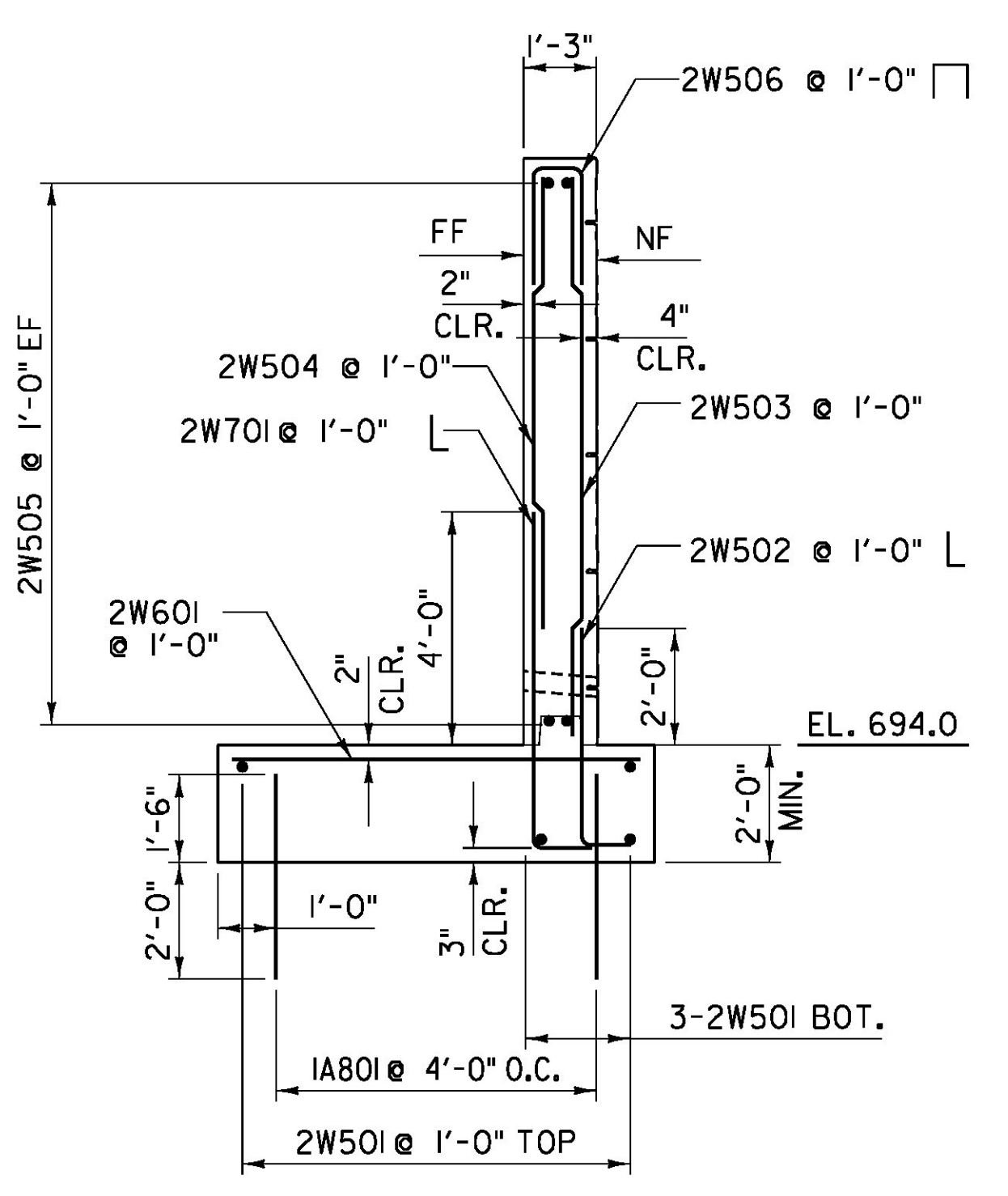


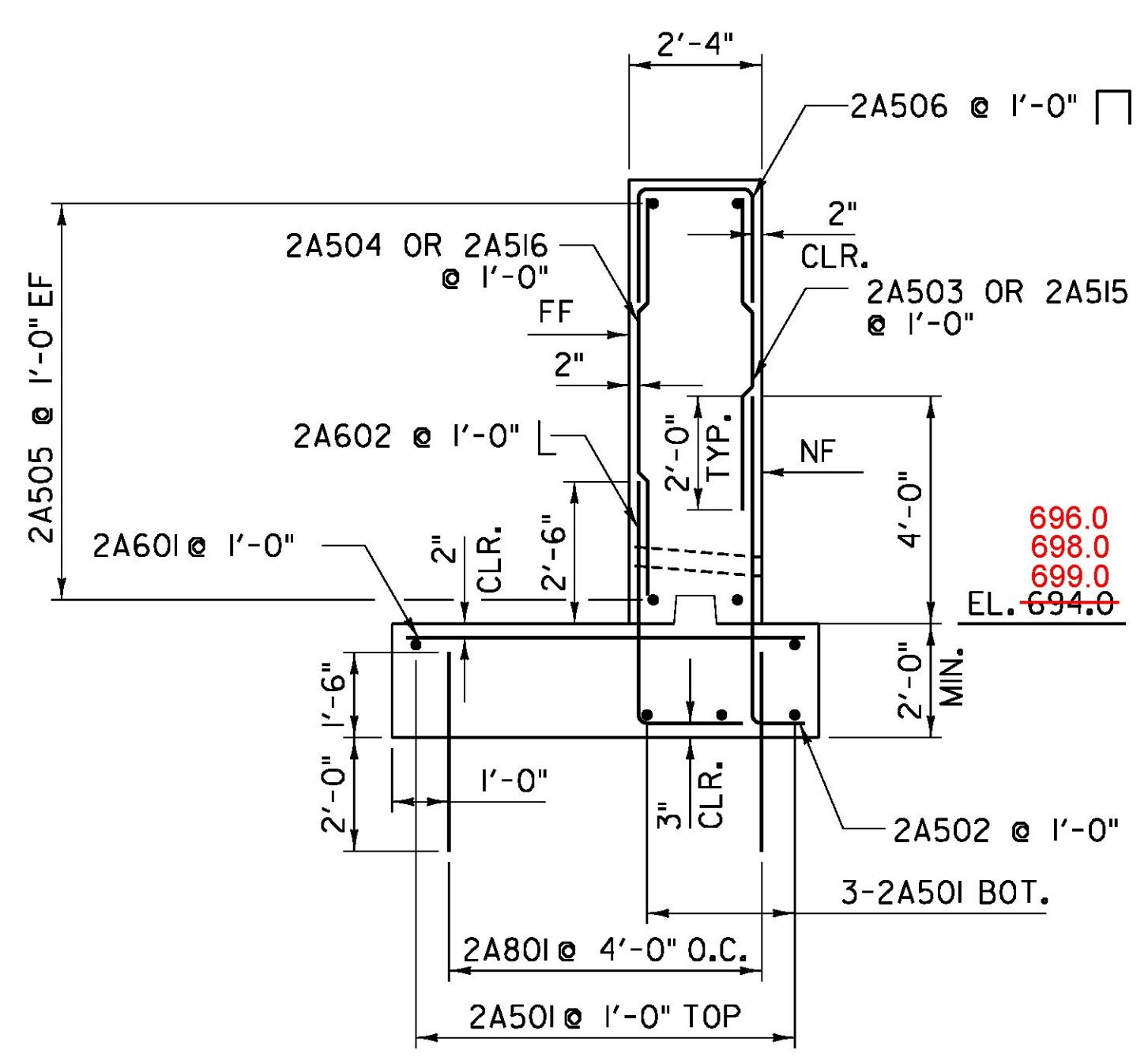
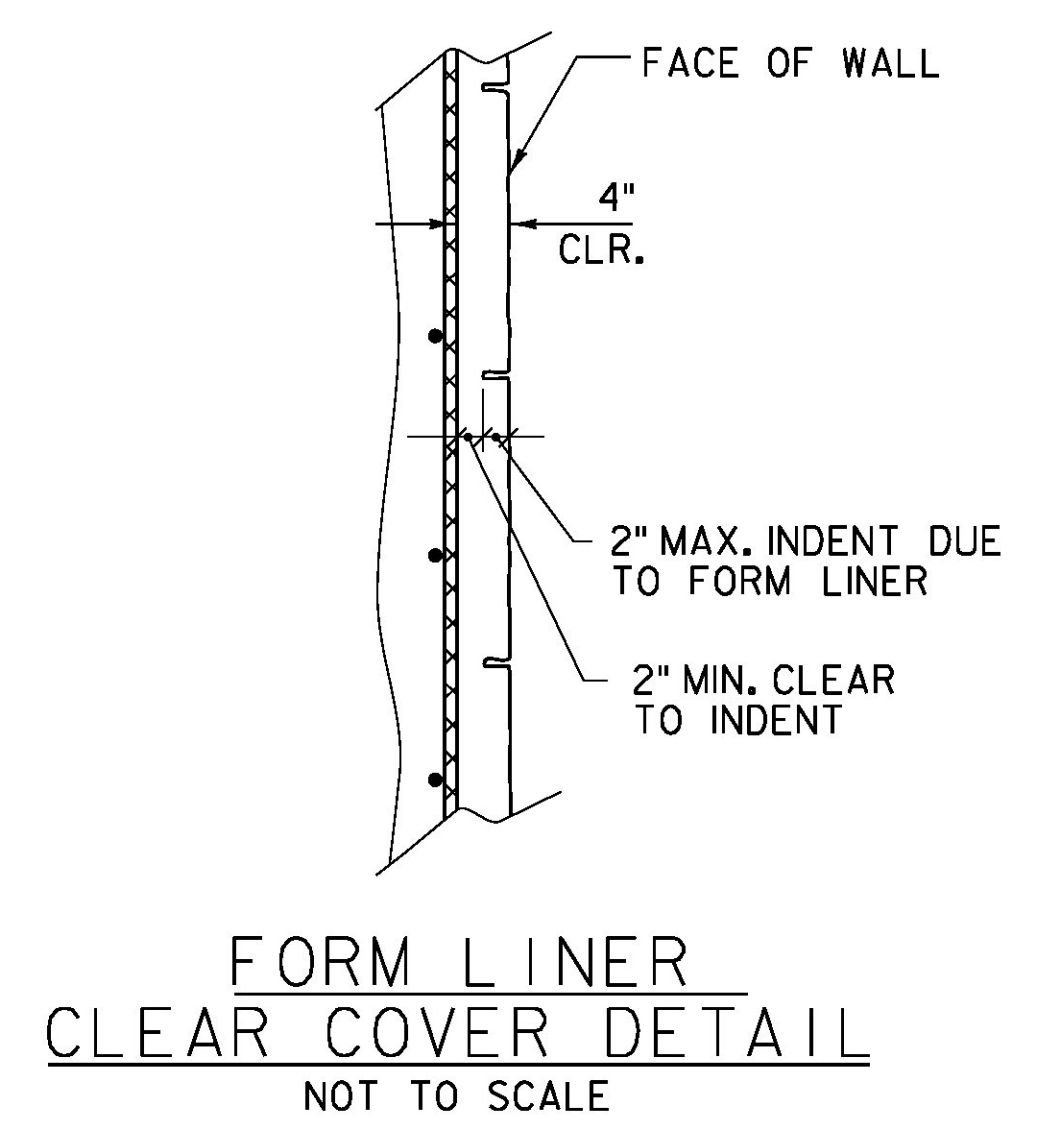
ABUTMENT No. 1 SECTION
SCALE: 3/8" = 1'-0"



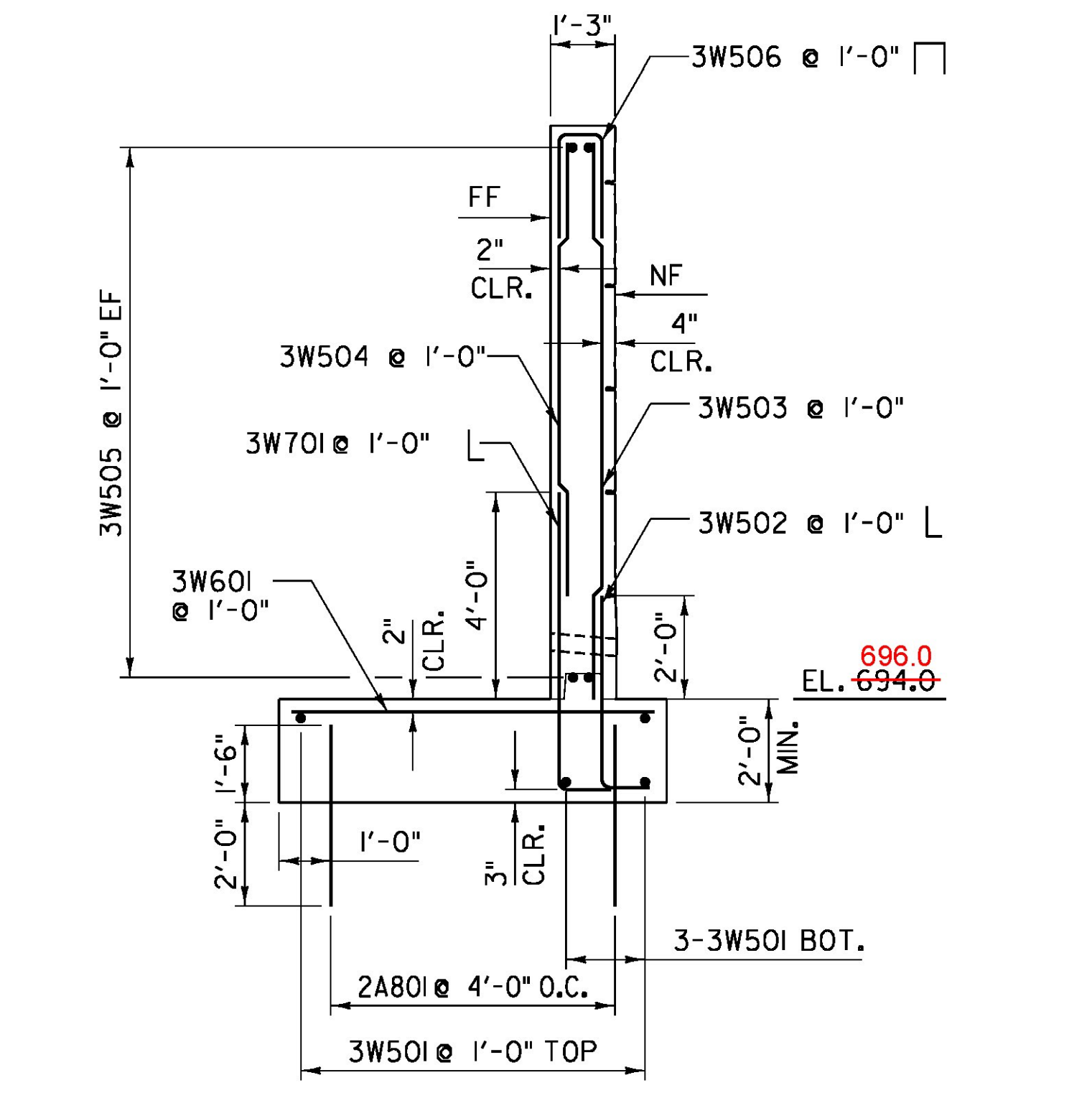
WINGWALL No. 1 SECTION
SCALE: 3/8" = 1'-0"



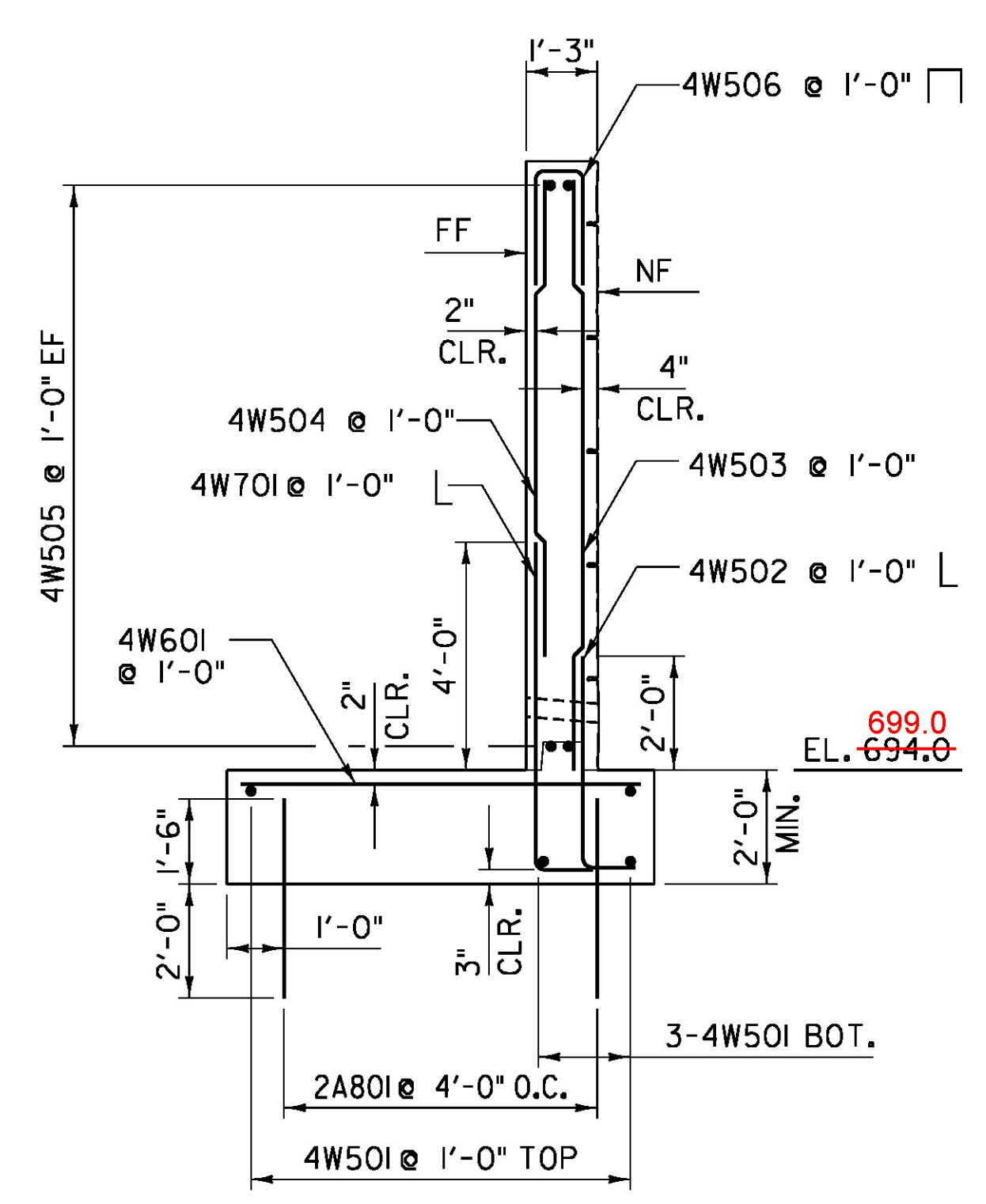
WINGWALL No. 2 SECTION
SCALE: 3/8" = 1'-0"



ABUTMENT No. 2 SECTION
SCALE: 3/8" = 1'-0"



WINGWALL No. 3 SECTION
SCALE: 3/8" = 1'-0"



WINGWALL No. 4 SECTION
SCALE: 3/8" = 1'-0"

NF = NEAR FACE
FF = FAR FACE
EF = EACH FACE
▲ = CUT TO FIT IN FIELD
3" CLEAR UNLESS OTHERWISE SPECIFIED ON PLANS.
ALL LAPS ARE 2'-0" UNLESS OTHERWISE SPECIFIED ON THE PLANS.

PROJECT NAME:	CORINTH
PROJECT NUMBER:	BRO 1447(29)
FILE NAME:	...drawing\201292.abuts.dgn
PROJECT LEADER:	G. BOGUE
DESIGNED BY:	J. HUNGERFORD
ABUTMENT & WINGWALL SECTIONS	
PLOT DATE:	8/4/2014
DRAWN BY:	L. BUXTON
CHECKED BY:	G. BOGUE
SHEET	39 OF 57



8/4/2014 12:44:44 PM V:\9533\active\95330795\transportation\drawing\201292.abuts.dgn