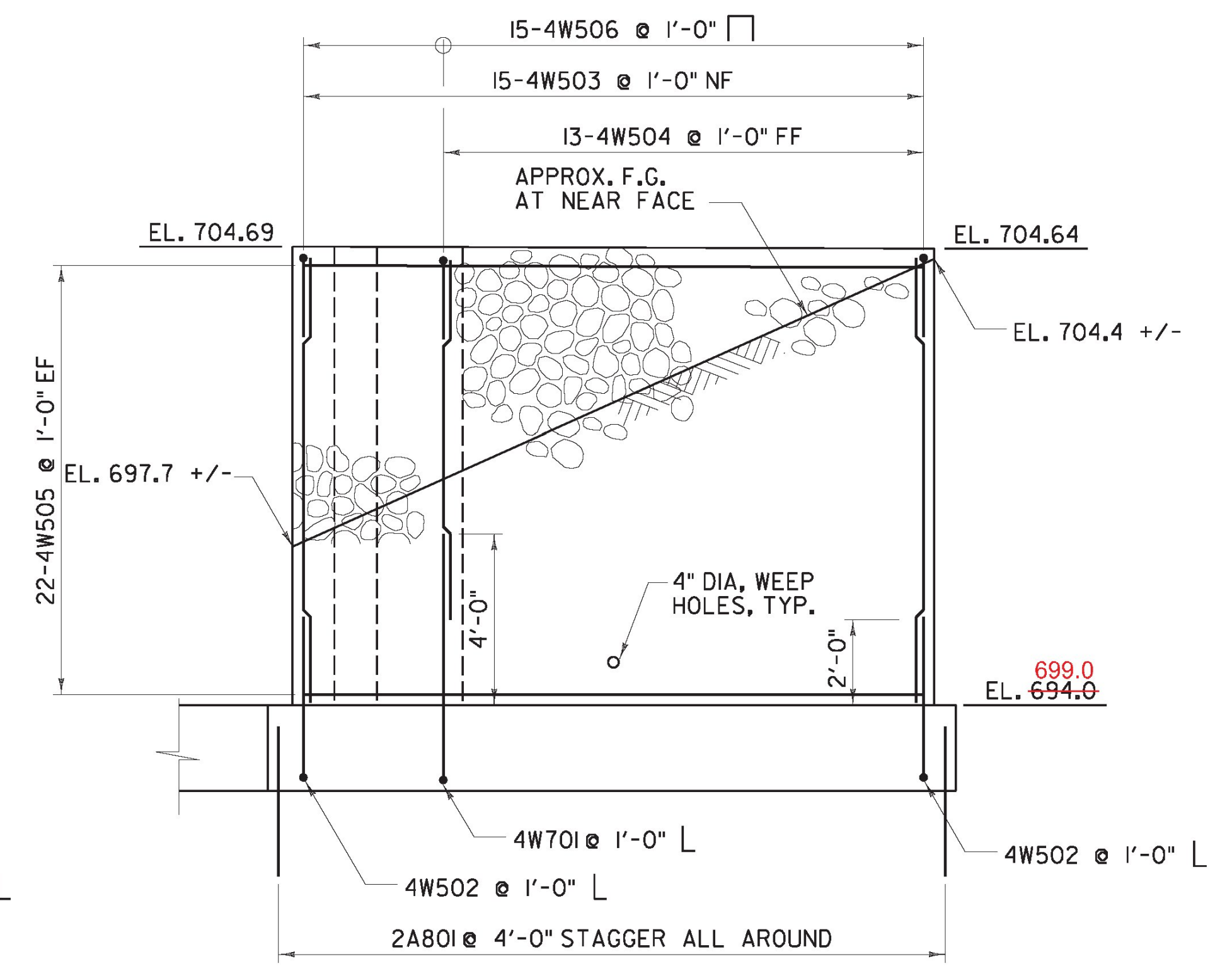
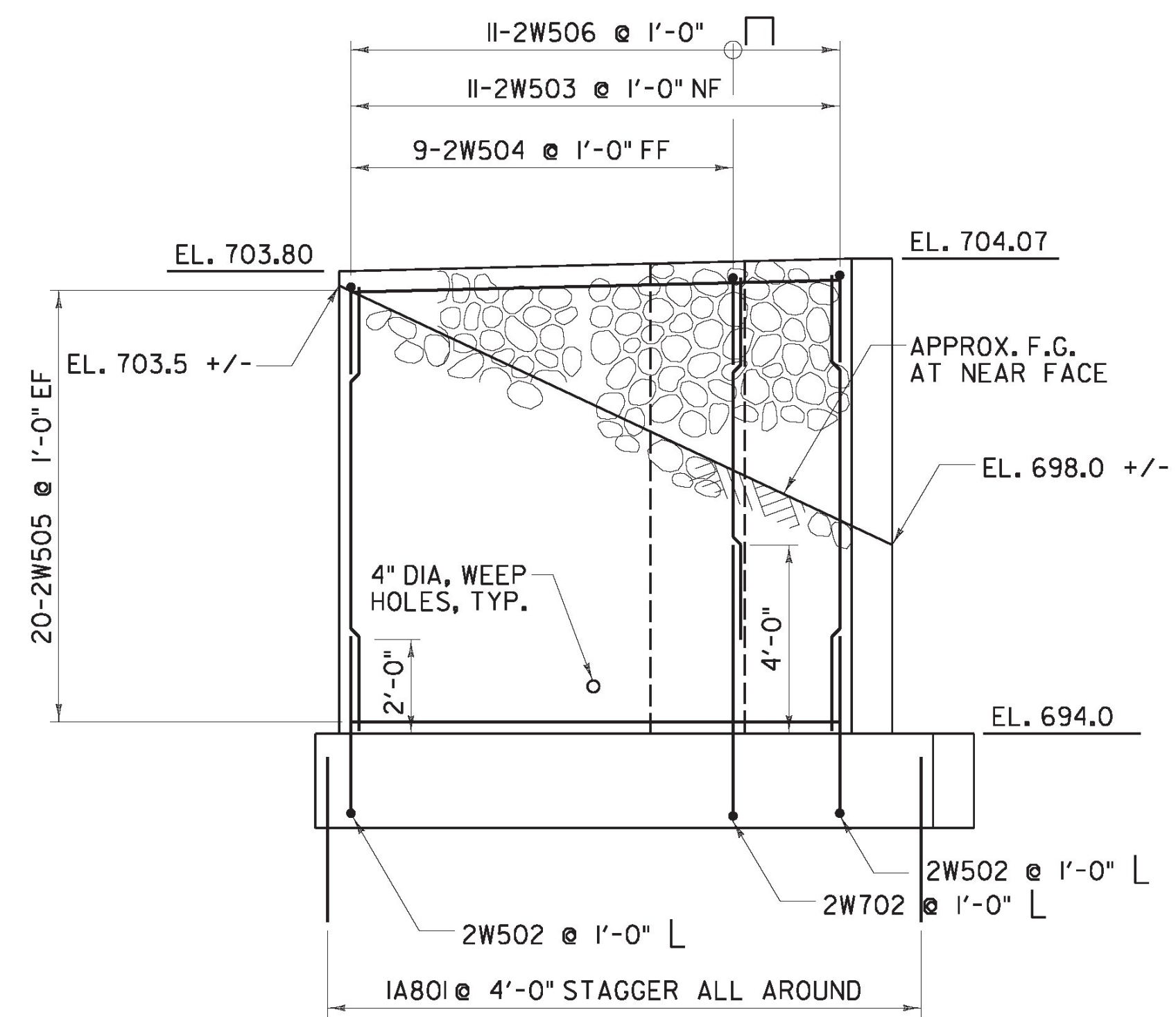


WINGWALL 3 ELEVATION
SCALE 3/8" = 1'-0"



WINGWALL 4 ELEVATION
SCALE 3/8" = 1'-0"



WINGWALL 2 ELEVATION
SCALE 3/8" = 1'-0"

PROJECT NAME: CORINTH	PROJECT NUMBER: BRO 1447(29)
FILE NAME: ...drawing\z01292-abuts.dgn	PLOT DATE: 8/4/2014
PROJECT LEADER: G. BOGUE	DRAWN BY: L. BUXTON
DESIGNED BY: J. HUNGERFORD	CHECKED BY: G. BOGUE
WINGWALL 2, 3 & 4 REINFORCEMENT	SHEET 38 OF 57



8/4/2014 12:44:12 PM V:\1953\active\195310795\1\anspor\1\10n\drawing\z01292-abuts.dgn