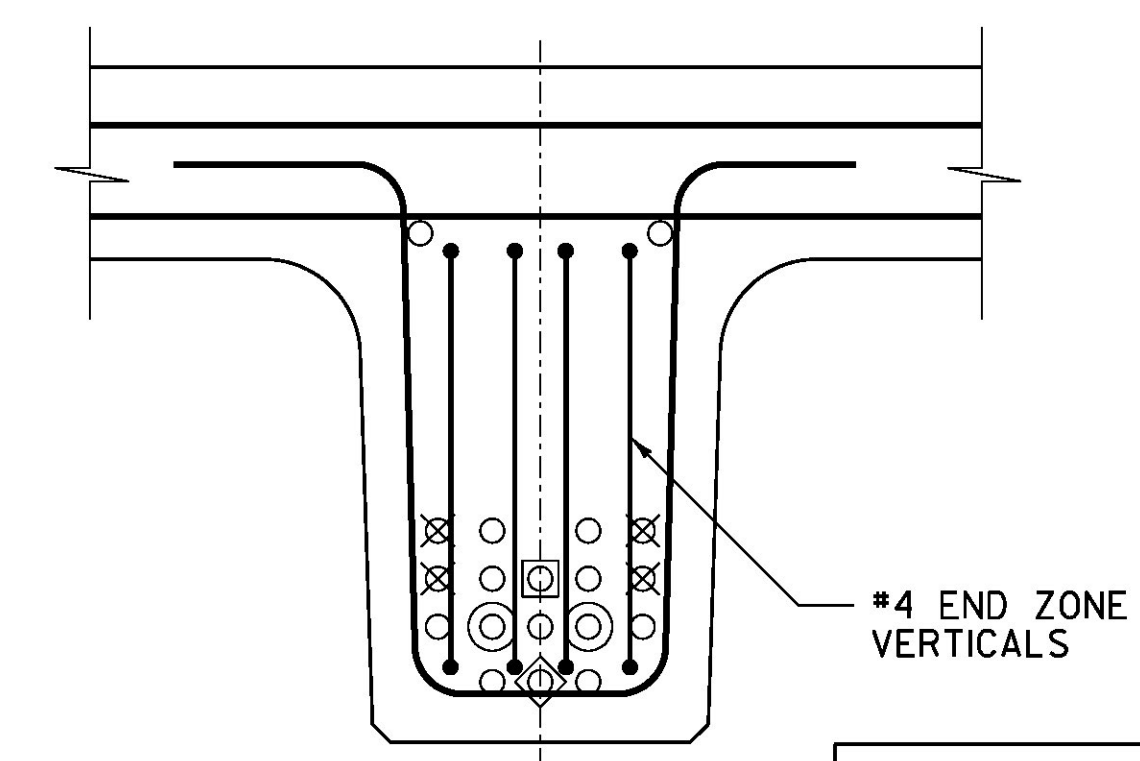
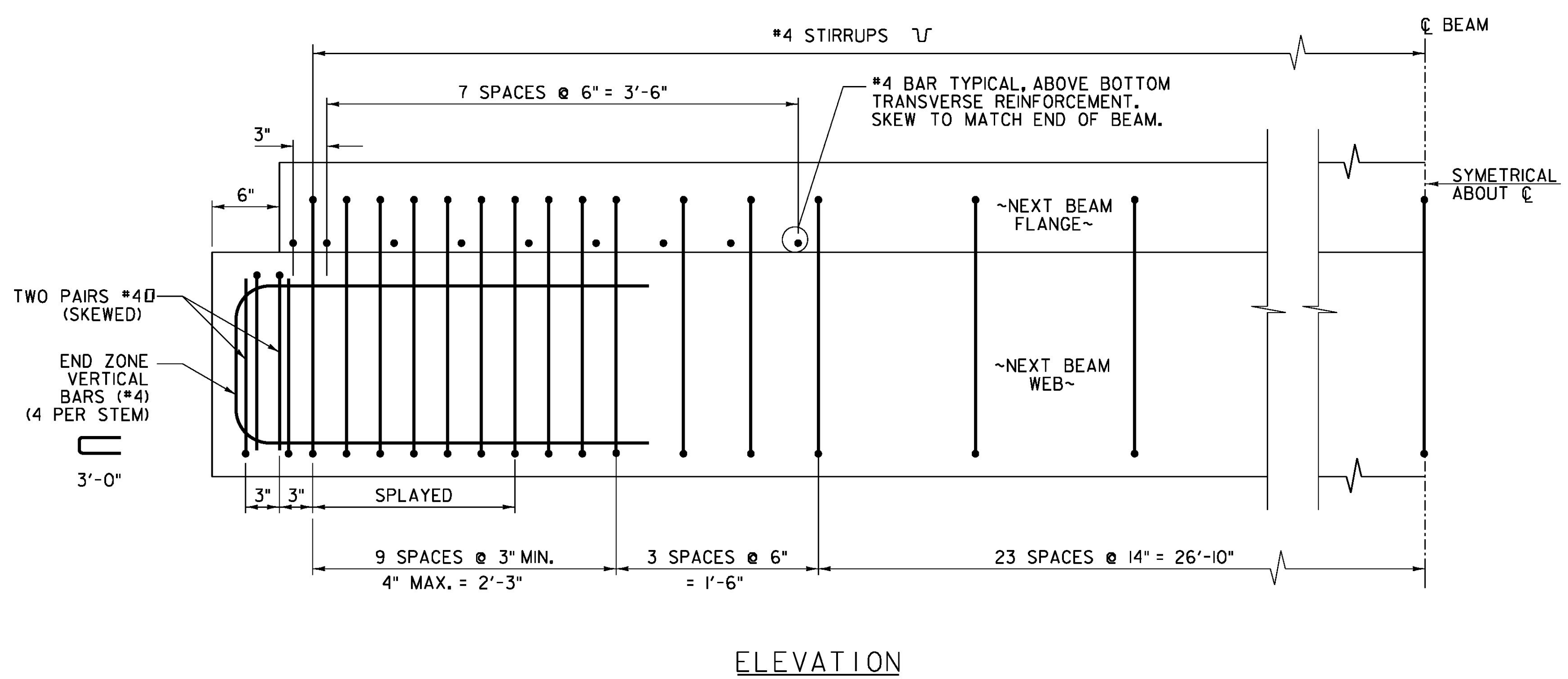


NOTE:
LONGITUDINAL REINFORCEMENT
NOT SHOWN FOR CLARITY.



END SECTION
SCALE 1/2" = 1'-0"

- ⊗ DEBONDED 0'-6" OPTIONAL
- ⊠ DEBONDED 4'
- ⊙ DEBONDED 8'
- ◇ DEBONDED 12'



ADDITIONAL END BEAM REINFORCEMENT
SCALE 1/2" = 1'-0"

NOTE:
TYPICAL DECK REINFORCING AND NEXT BEAM
PRESTRESSING TENDONS NOT SHOWN FOR CLARITY

8/4/2014 12:13:50 PM V:\95310795\Transportation\Drawings\201292_next_beam.dets.dgn



PROJECT NAME:	CORINTH
PROJECT NUMBER:	BRO 1447(29)
FILE NAME: ...z01j292_next_beam.dets.dgn	PLOT DATE: 8/4/2014
PROJECT LEADER: G. BOGUE	DRAWN BY: L. BUXTON
DESIGNED BY: G. BOGUE	CHECKED BY: T. KNIGHT
NEXT BEAM DETAILS 1	SHEET 25 OF 57