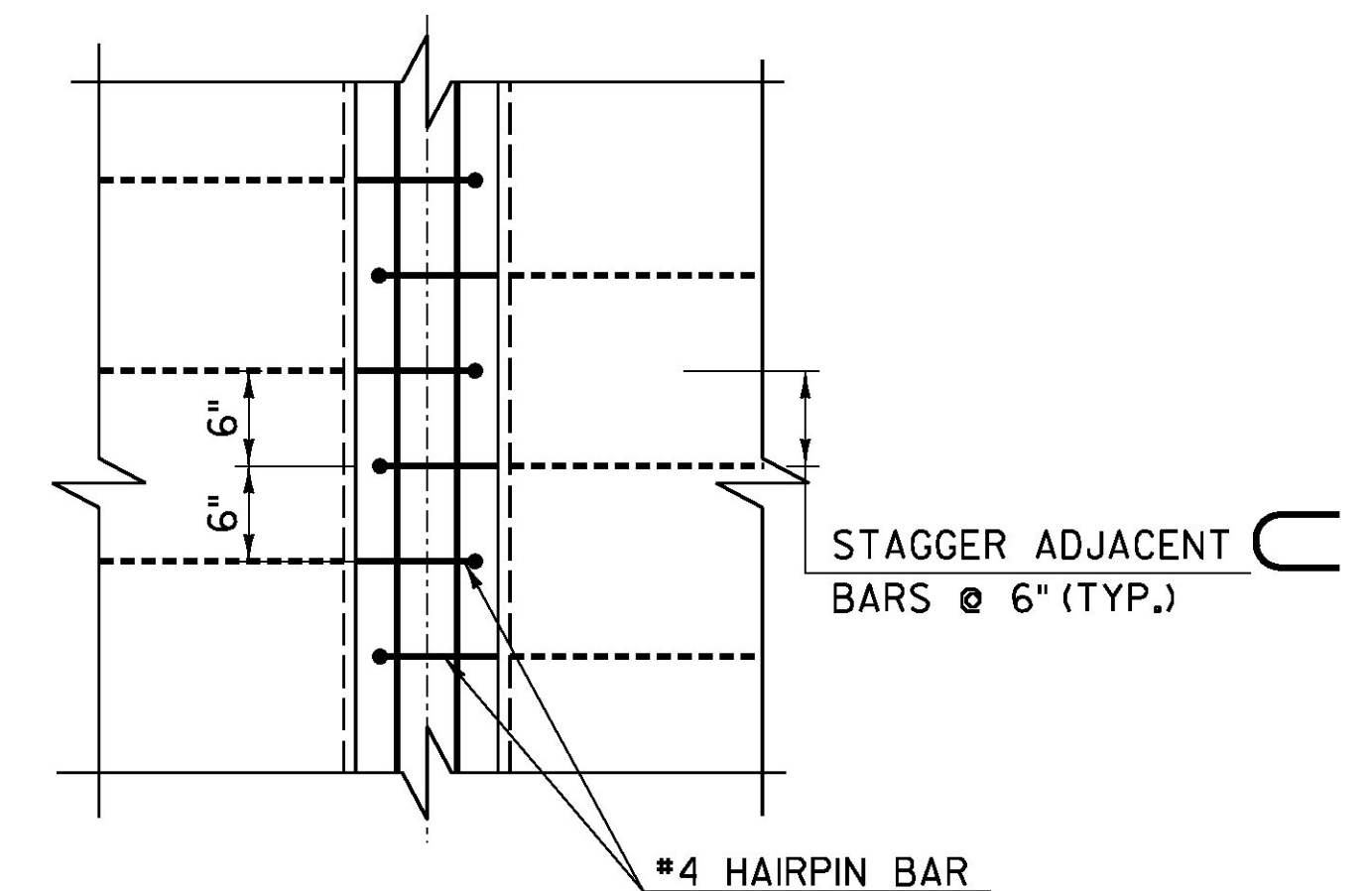
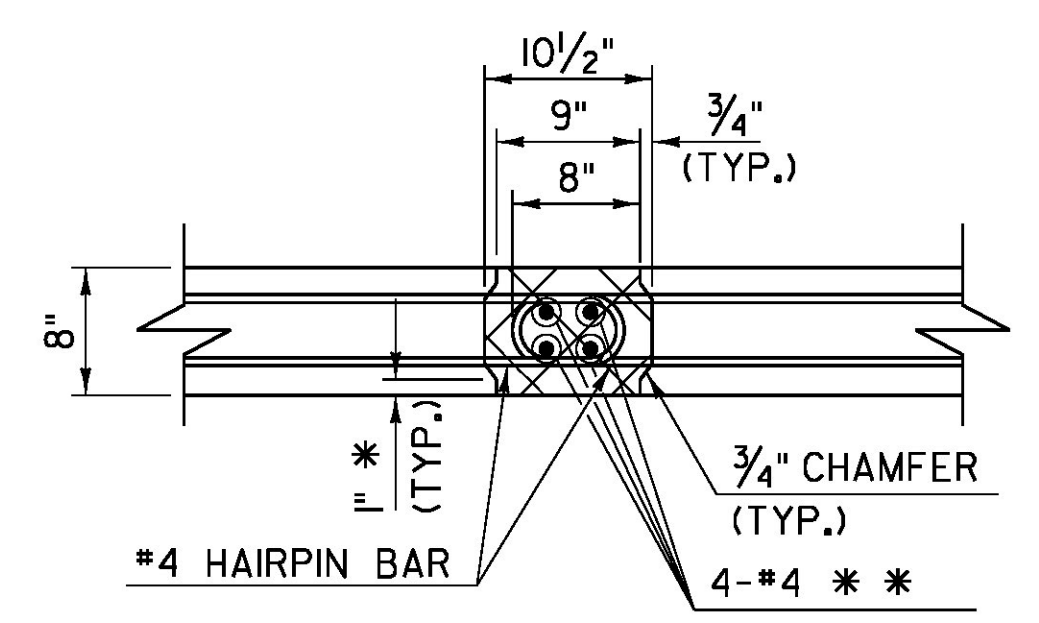


PLAN
SCALE: 1/4" = 1'-0"



PLAN

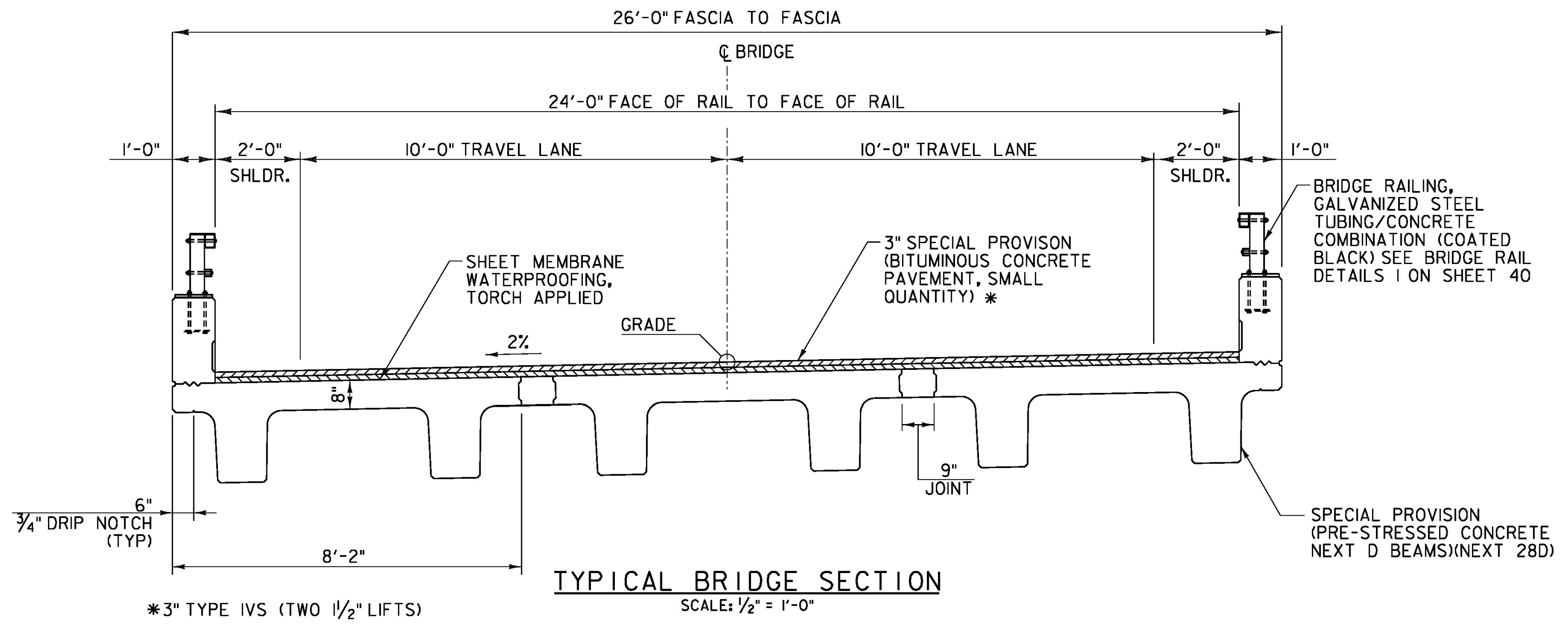


SECTION

FLANGE CONNECTION DETAILS
SCALE: 1" = 1'-0"

SPECIAL PROVISION (HIGH PERFORMANCE CONCRETE, RAPID SET)(FPQ).

- * DIMENSIONS ARE TO KEY IN JOINT.
- ** FOUR #4 BARS SHALL BE PLACED AS SHOWN ALONG ENTIRE LENGTH OF JOINT. PAYMENT SHALL BE INCIDENTAL TO SPECIAL PROVISION (PRE-STRESSED CONCRETE NEXT D BEAMS)(NEXT 28D).



TYPICAL BRIDGE SECTION
SCALE: 1/2" = 1'-0"

PROJECT NAME:	CORINTH
PROJECT NUMBER:	BRO 1447(29)
FILE NAME:	...drawing\z01j292.framing.dgn
DESIGNED BY:	G. BOGUE
CHECKED BY:	T. KNIGHT
FRAMING PLAN	
PLOT DATE:	8/4/2014
DRAWN BY:	L. BUXTON
SHEET	24 OF 57



8/4/2014 12:33:49 PM V:\9533\active\95310795\transportation\drawing\z01j292.framing.dgn