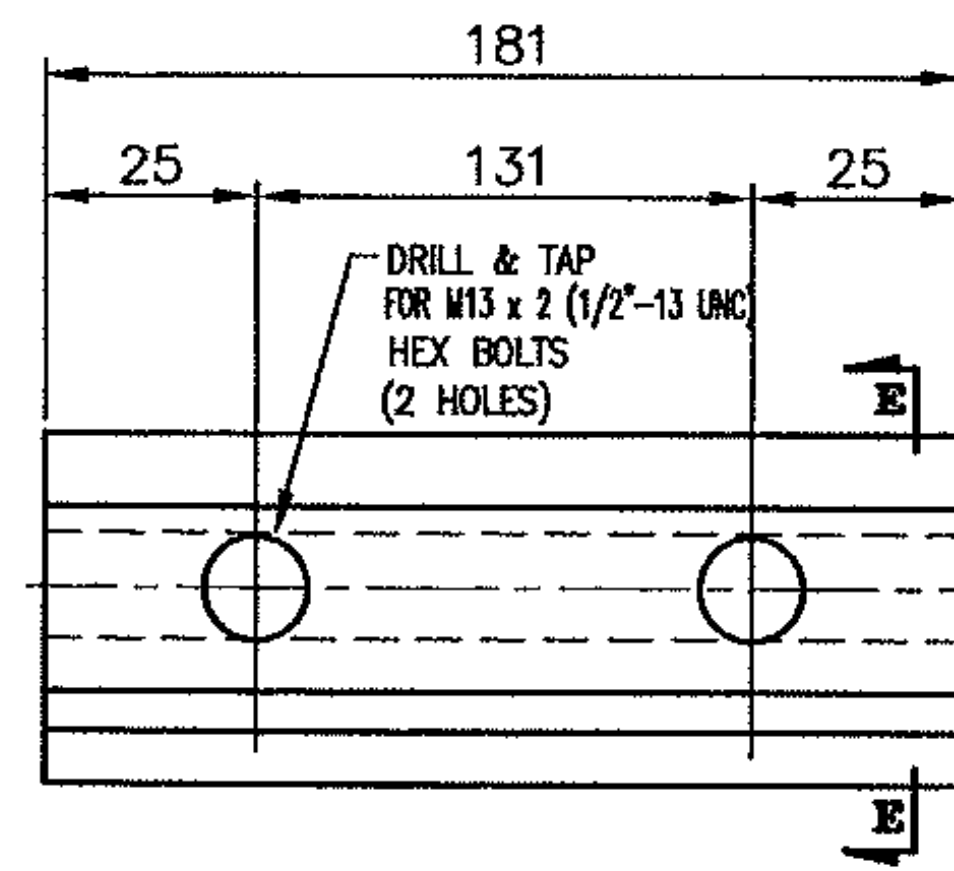


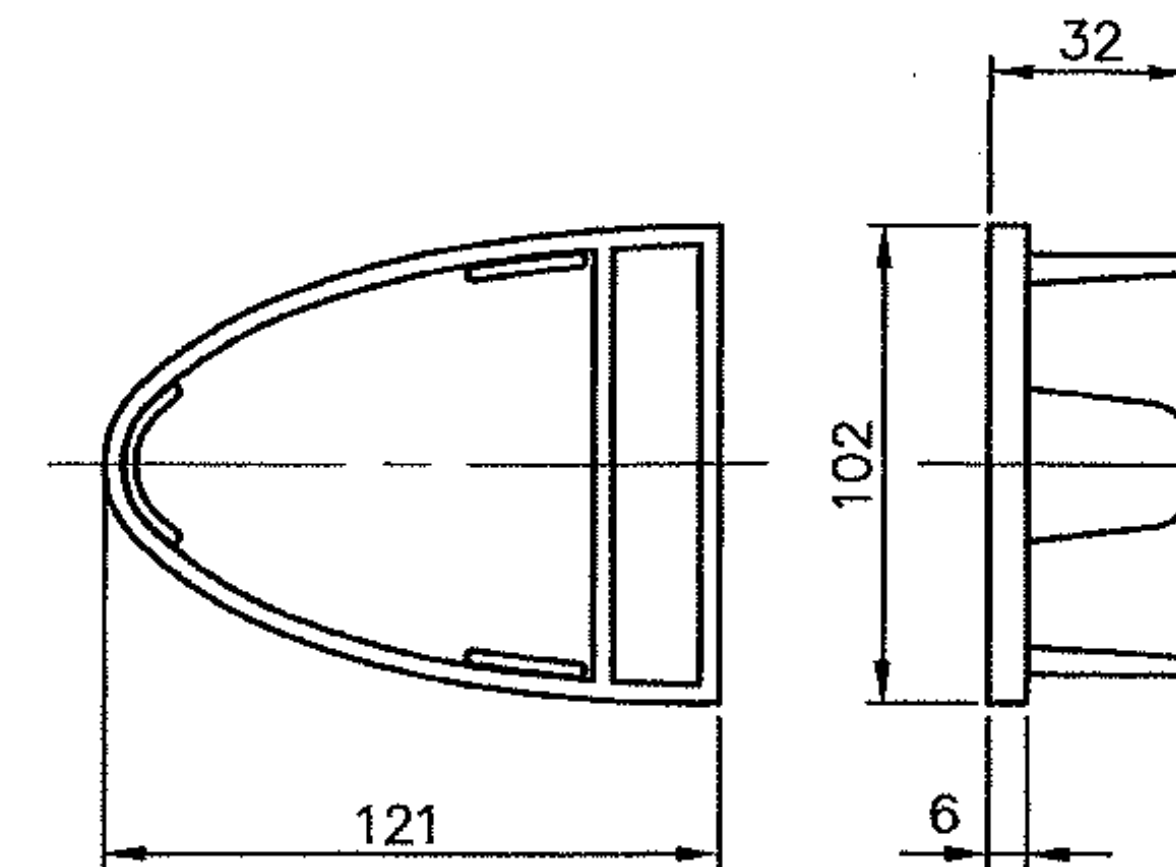
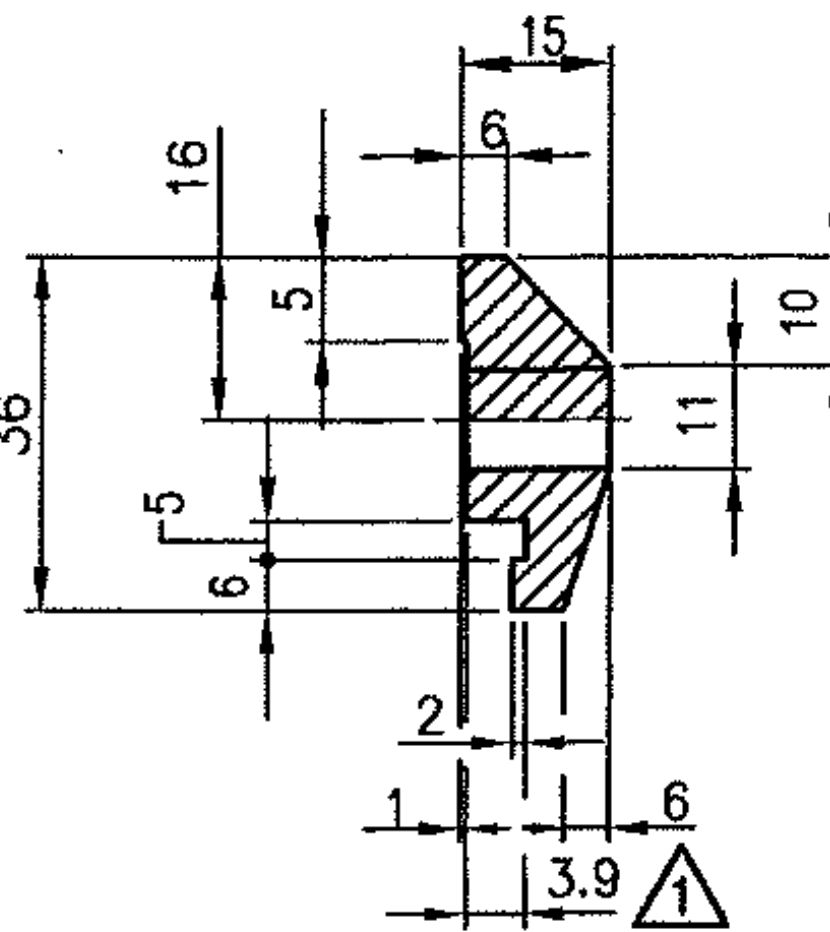
SECTION 'E'-'E'

172 ~ REQ'D CLAMP
 BAR CB-03-A #19447
 (BARRIER RAIL)

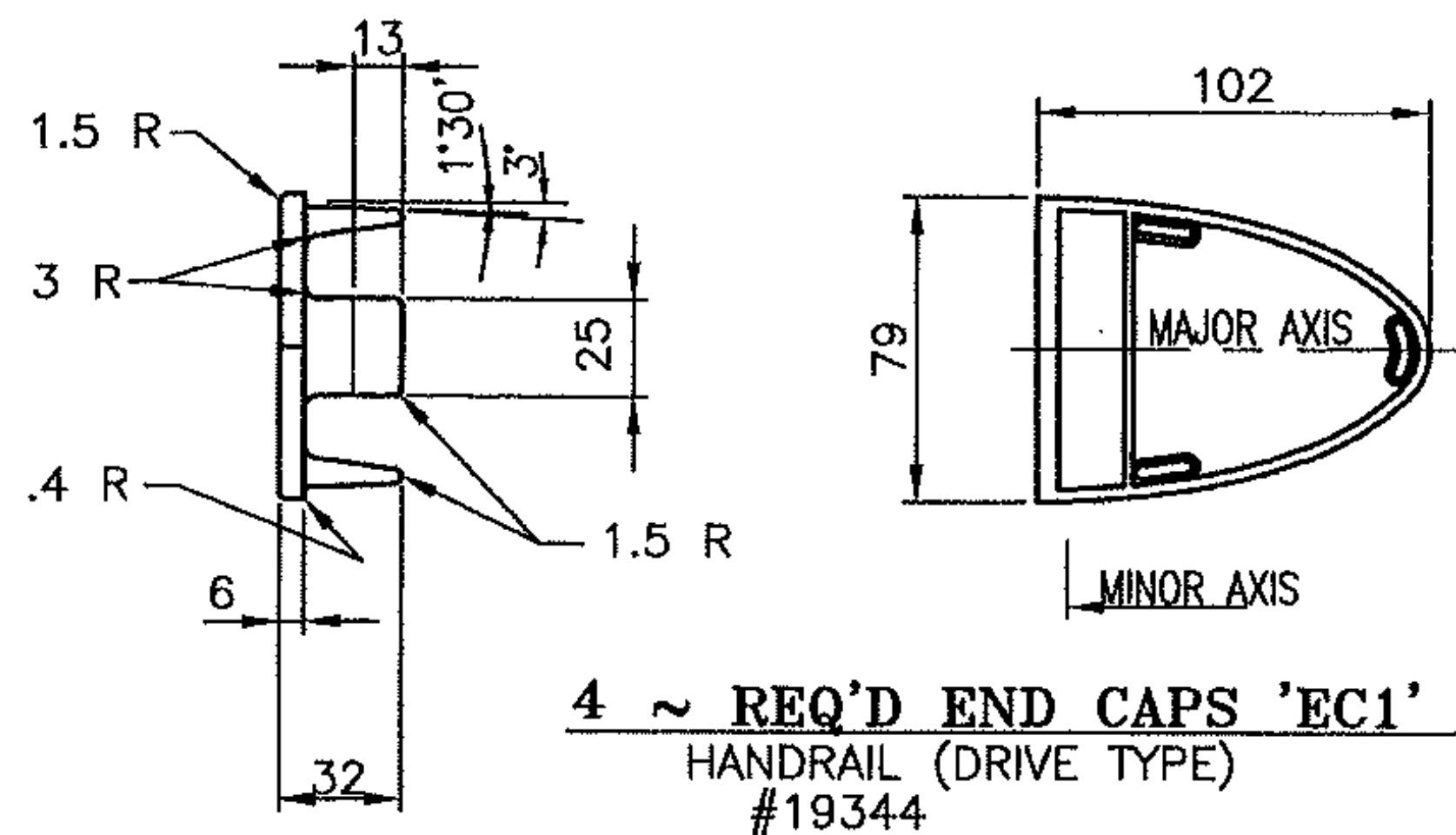


SECTION 'E'-'E'

32 ~ REQ'D CLAMP
 BAR CB-01-H #28596
 (HANDRAIL)



8 ~ REQ'D. ALUM
 END CAPS EC2 #19345
 BARRIER RAIL (DRIVE TYPE)



4 ~ REQ'D END CAPS 'EC1'
 HANDRAIL (DRIVE TYPE)
 #19344

Vermont Agency of Transportation

RECEIVED

CK'D BY WOL OK'D BY GS

7:54 am, Jul 13, 2011

RESUBMIT APPROVED X
 BY CWC, Proj. Mgr. DATE 07/13/11

ANODIZED
 (SEE NOTES ON LB1)

REV.	DESCRIPTION	BY	DATE
1	GEN. REVISION PER APPROVAL MARKUP	CMS	01 22 10

PROJECT No. STP 0199 (2) ITEM No: 621.745

APPROVED: _____ REC'D APPROVAL _____
 DRAWING _____

L.B. FOSTER COMPANY
 1016 GREENTREE ROAD
 PITTSBURGH, PENNSYLVANIA 15220

FOR: F. R. LAFAYETTE, INCORPORATED
 VERMONT AGENCY OF TRANSPORTATION
 TOWN OF HINESBURG, COUNTY OF CHITTENDEN, VT
 APPROACH RAILING FOR BRIDGE #10, TOWN HIGHWAY 4 (MAJ. COLLECTOR) CLASS 2
 3L ALUMINUM APPROACH RAIL ~ MISC DETAILS

MADE CMS DATE 06/19/11 JOB No. ARO689 CUST. No.
 CHECK Dd DATE 06/28/11 DRAWING LB17 (LAST) REV. No. ONE