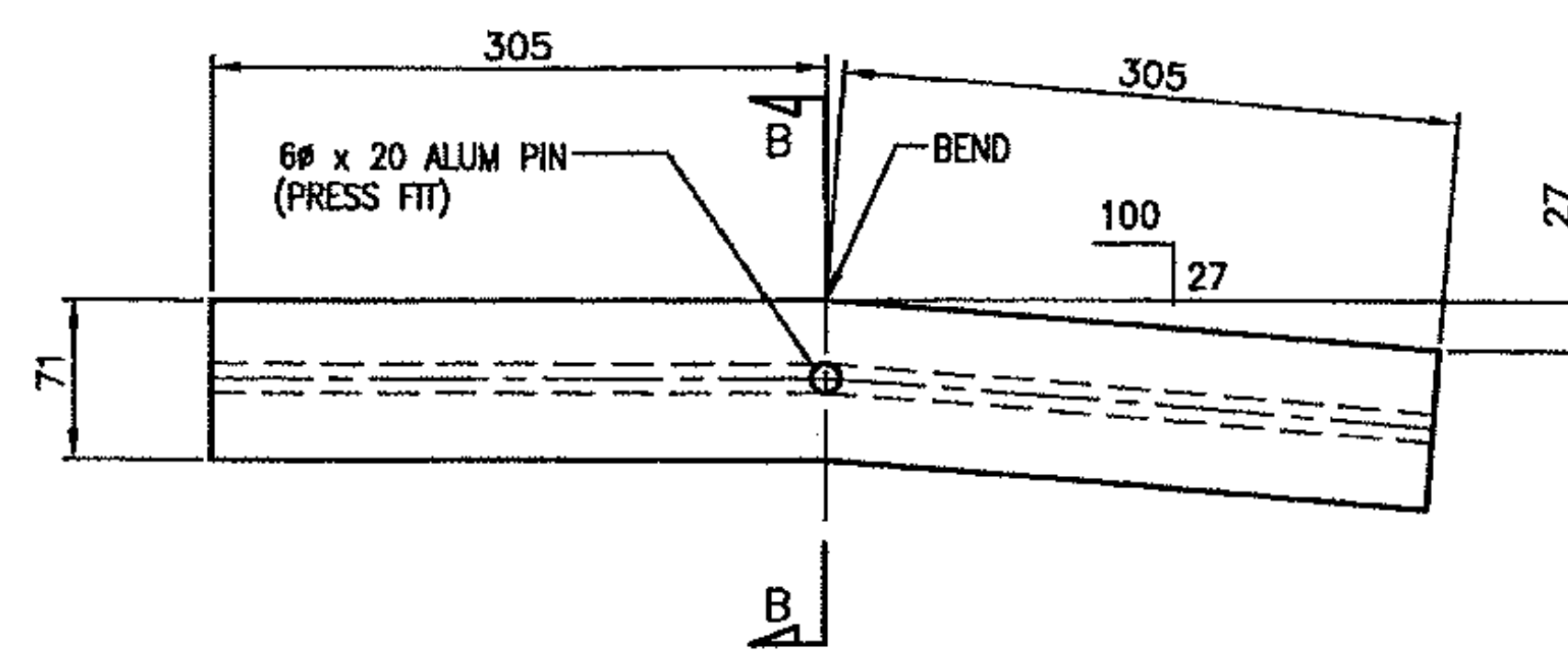
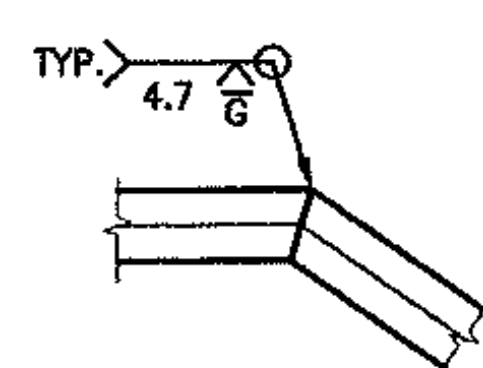


BRIDGE RAILING

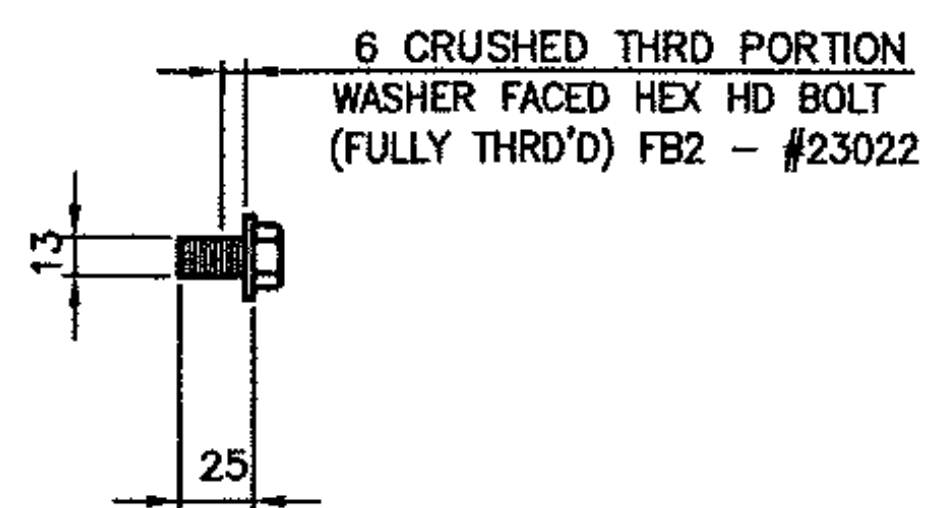


REAR ELEVATION VIEW

4 ~ REQ'D HANDRAIL SPLICE SLEEVES SS-23-A
#20204

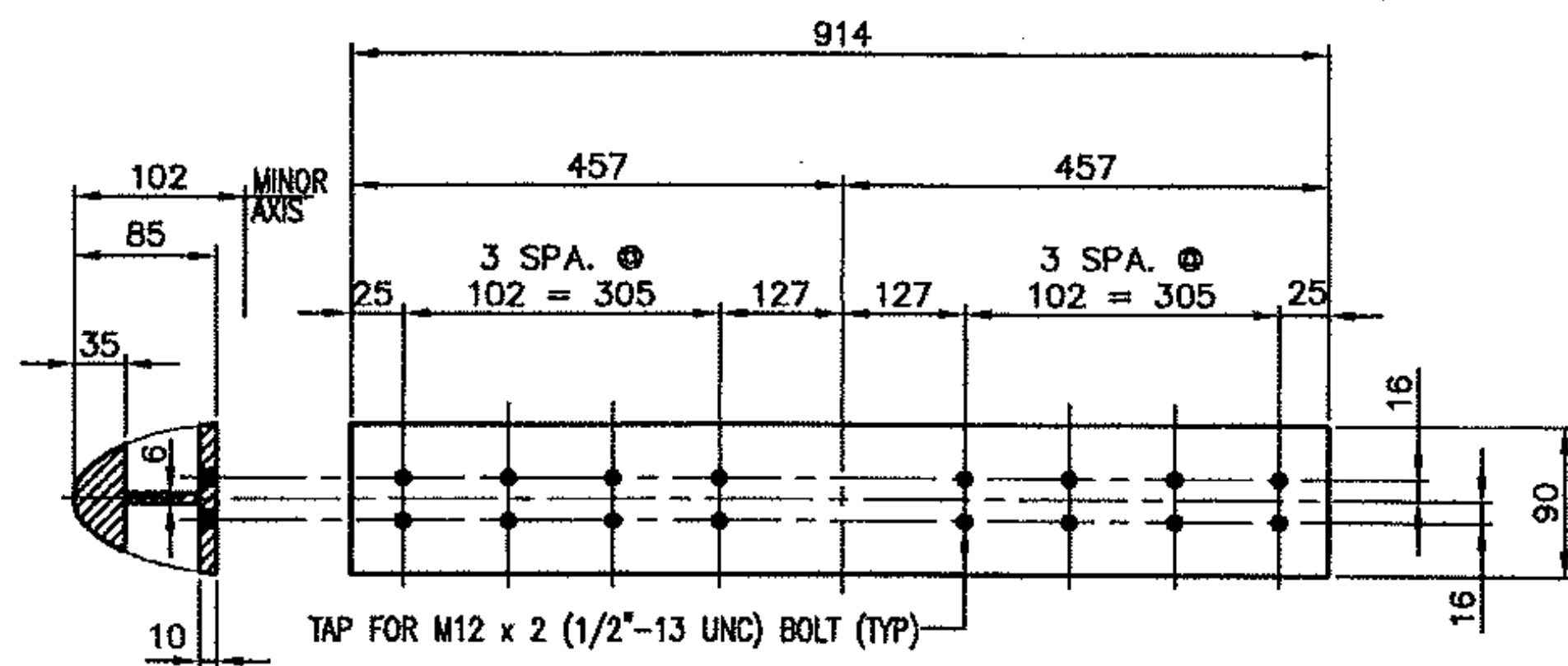


TYPICAL WELD DETAIL
MITERED SPLICES (OPTIONAL IF REQ'D.)

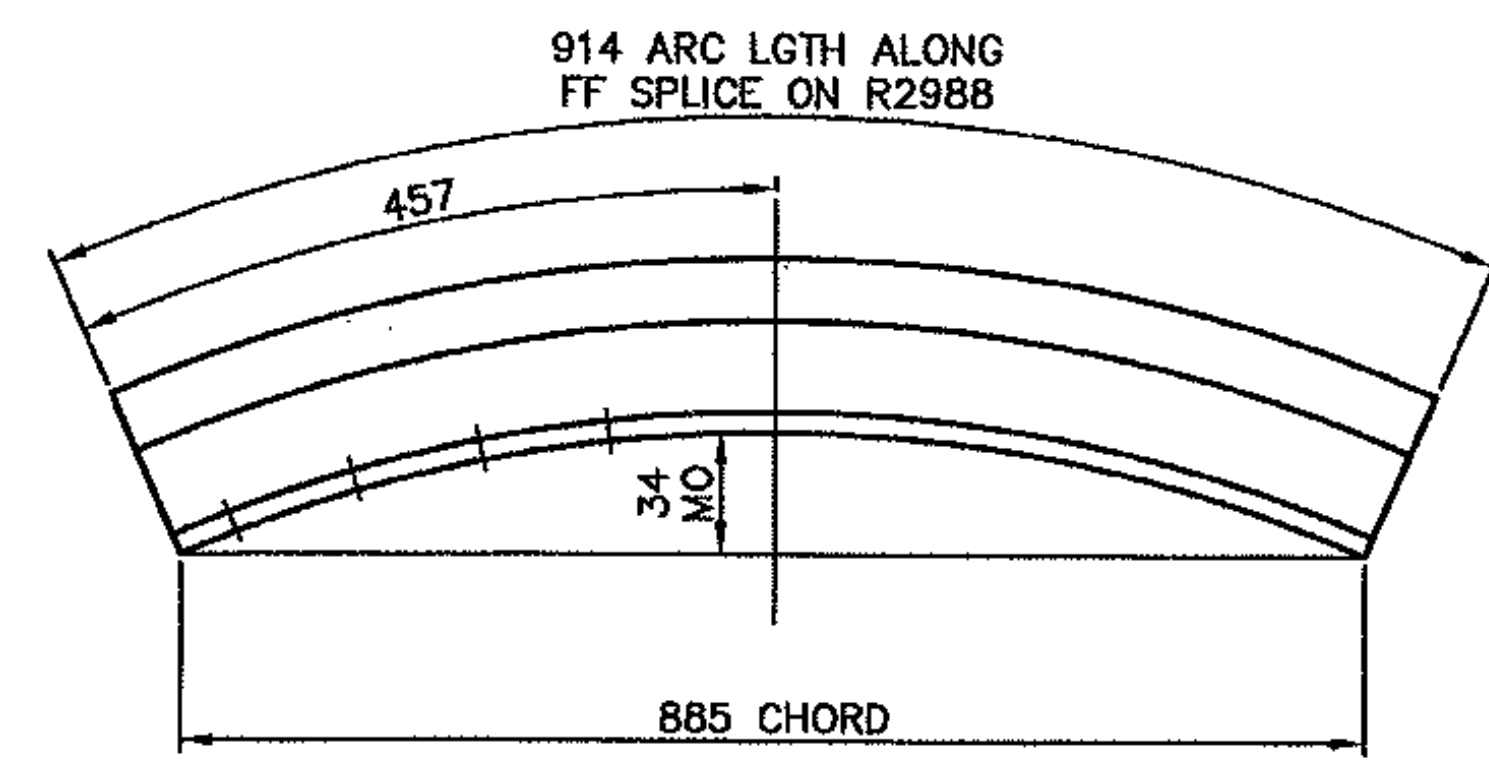


SPLICE BOLT DETAILS

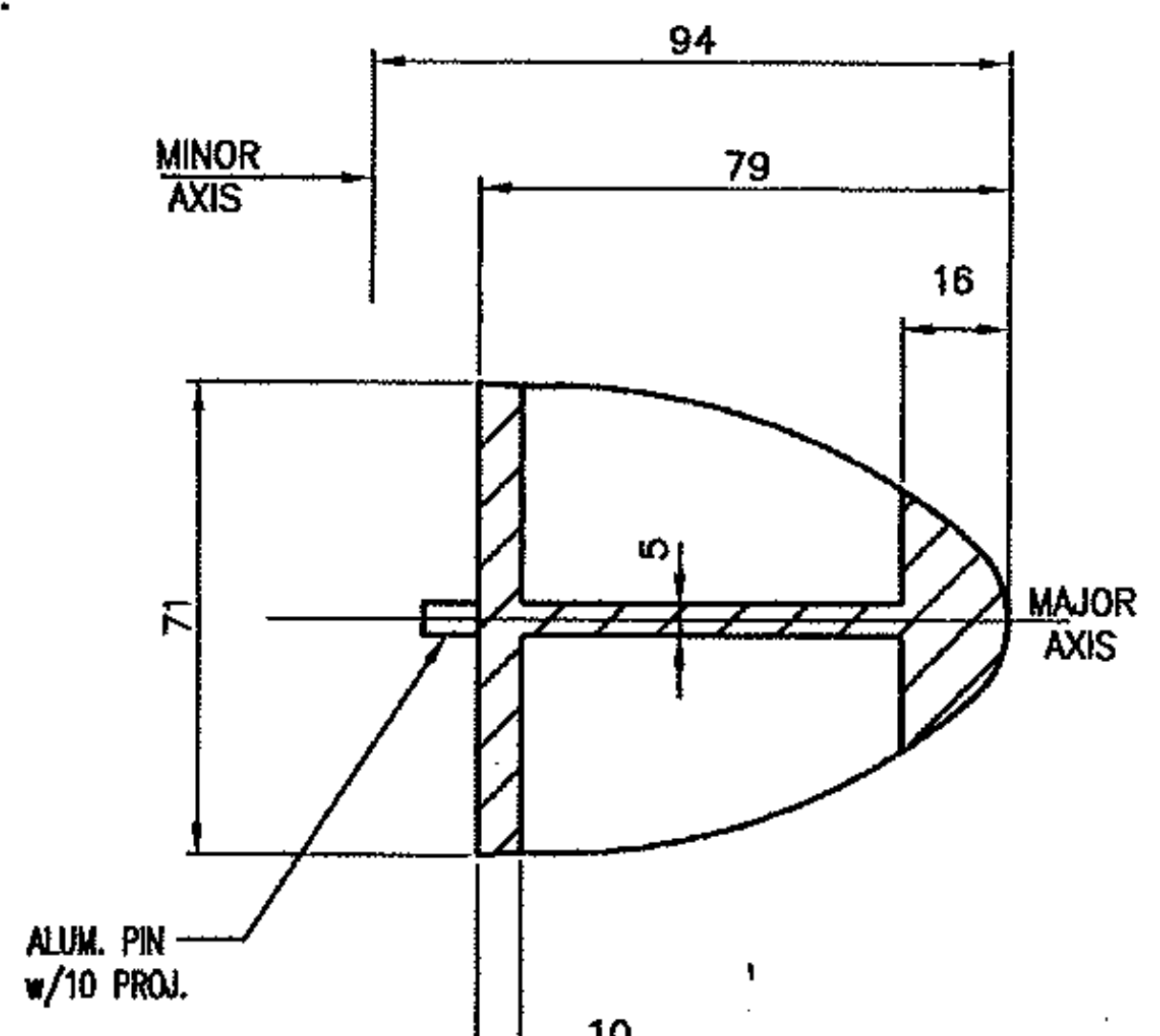
FASTENERS & HOLES WILL BE SUPPLIED IN STANDARD US EQUIVALENT UNITS FOR THE METRIC DESIGNATIONS.



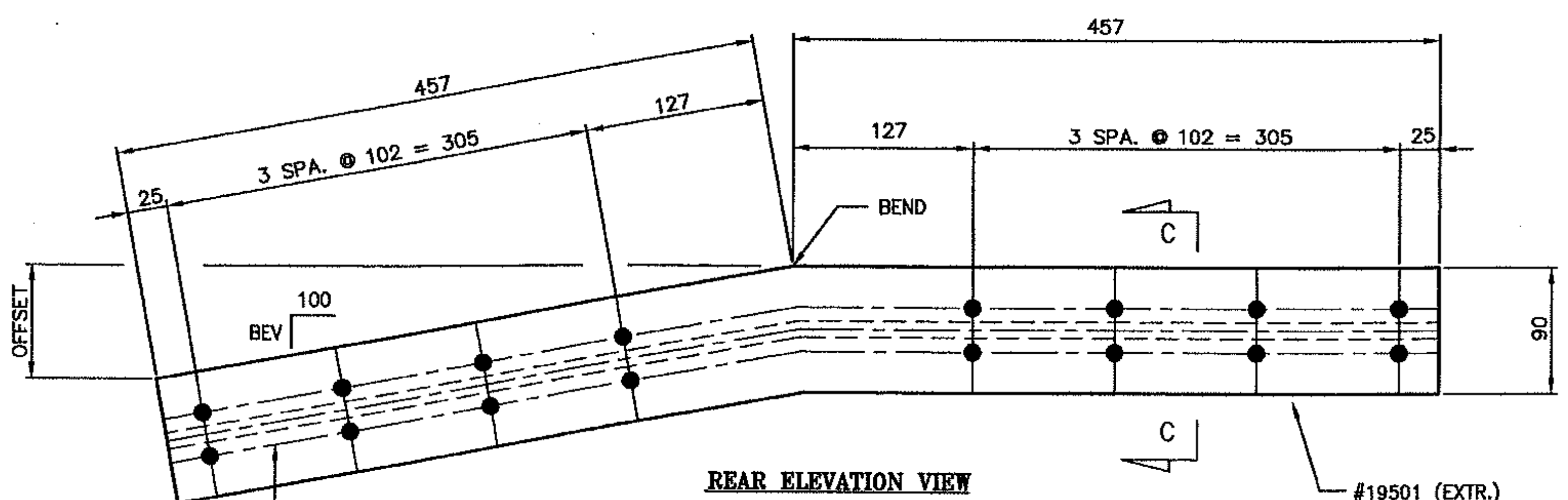
12 ~ REQ'D BENT SPLICE SLEEVES SS-03-G
(BARRIER RAIL - BACK ELEV VIEW) #19501 (EXTR.)



PLAN VIEW



SECTION B-B



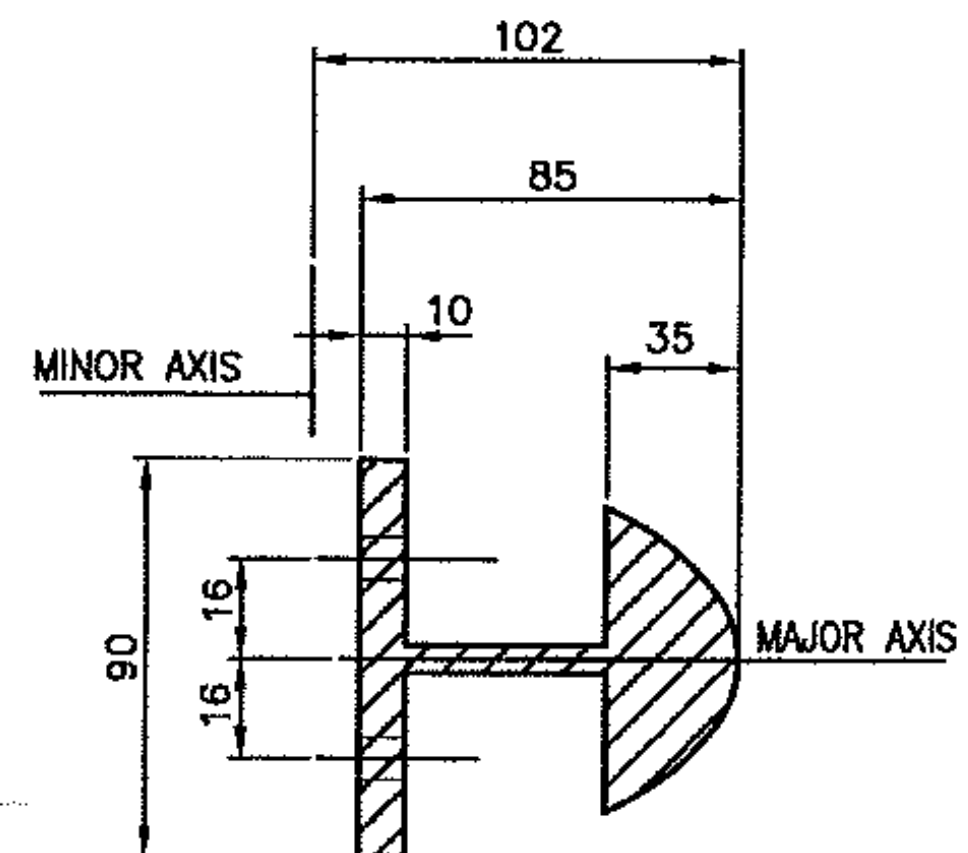
REAR ELEVATION VIEW

#19501 (EXTR.)

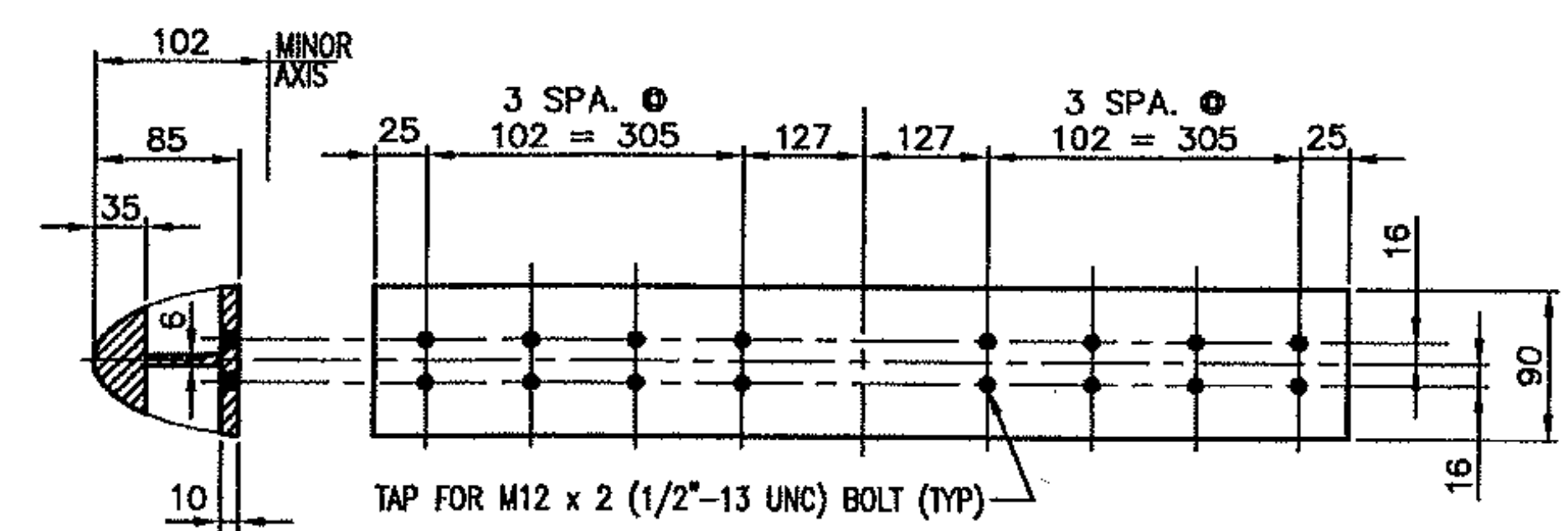
DRILL AND TAP FOR M12 x 2 BOLT (16 REQ'D) 'FB2'

BARRIER RAIL SPLICES			
MK.	QTY.	OFFSET	BEV
SS-03-G1	4	19	13
SS-03-G2	4	11	7

Vermont Agency of Transportation
RECEIVED
CK'D BY WDL OK'D BY GS
7:54 am, Jul 13, 2011
RESUBMIT APPROVED X
BY CWC, Proj. Mgr. DATE 07/13/11



SECTION C-C



2 ~ REQ'D BENT SPLICE SLEEVES SS-03-G3
(BARRIER RAIL - BACK ELEV VIEW) #19501 (EXTR.)

ANODIZED
(SEE NOTES ON LB1)

REV.	DESCRIPTION	BY	DATE

PROJECT No. STP 0199 (2) ITEM No: 621.745

APPROVED: _____ REC'D APPROVAL _____
DRAWING _____

L.B. FOSTER COMPANY
1016 GREENTREE ROAD
PITTSBURGH, PENNSYLVANIA 15280

FOR: F. R. LAFAYETTE, INCORPORATED
VERMONT AGENCY OF TRANSPORTATION
TOWN OF HINESBURG, COUNTY OF CHITTENDEN, VT
APPROACH RAILING FOR BRIDGE #10, TOWN HIGHWAY 4 (MAJ. COLLECTOR) CLASS 2
3L ALUMINUM APPROACH RAIL ~ MISC DETAILS

MADE CMS DATE 06/19/11 JOB No. ARO889 CUST. No. _____
CHECK_Dd DATE 06/28/11 DRAWING LB16 REV. No. _____