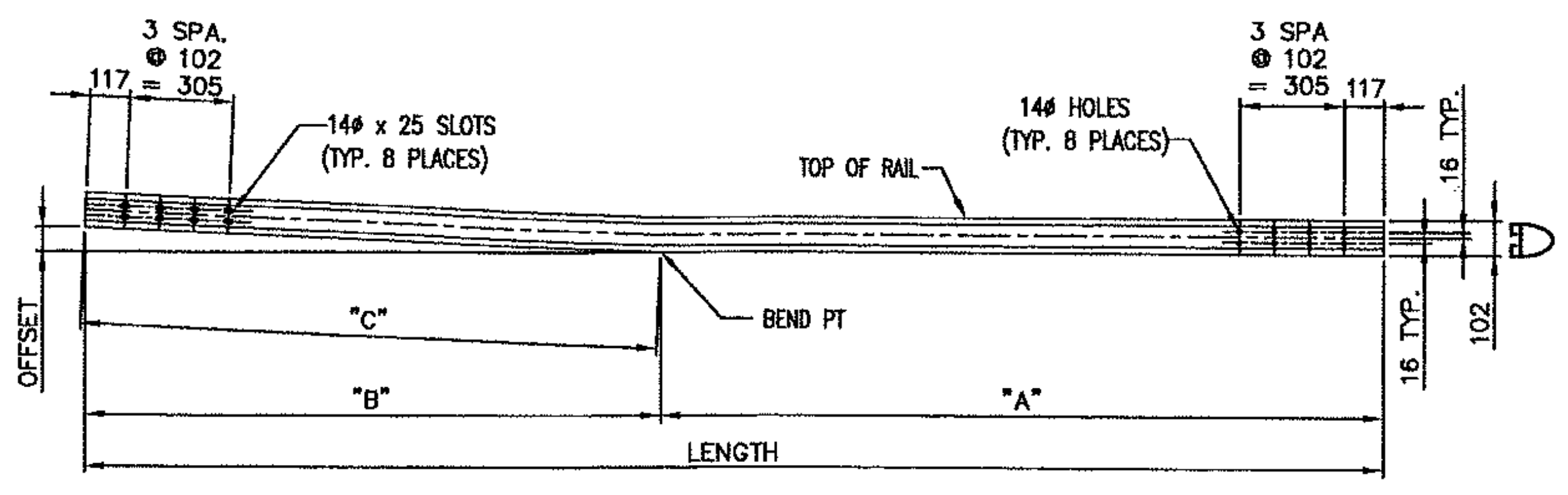
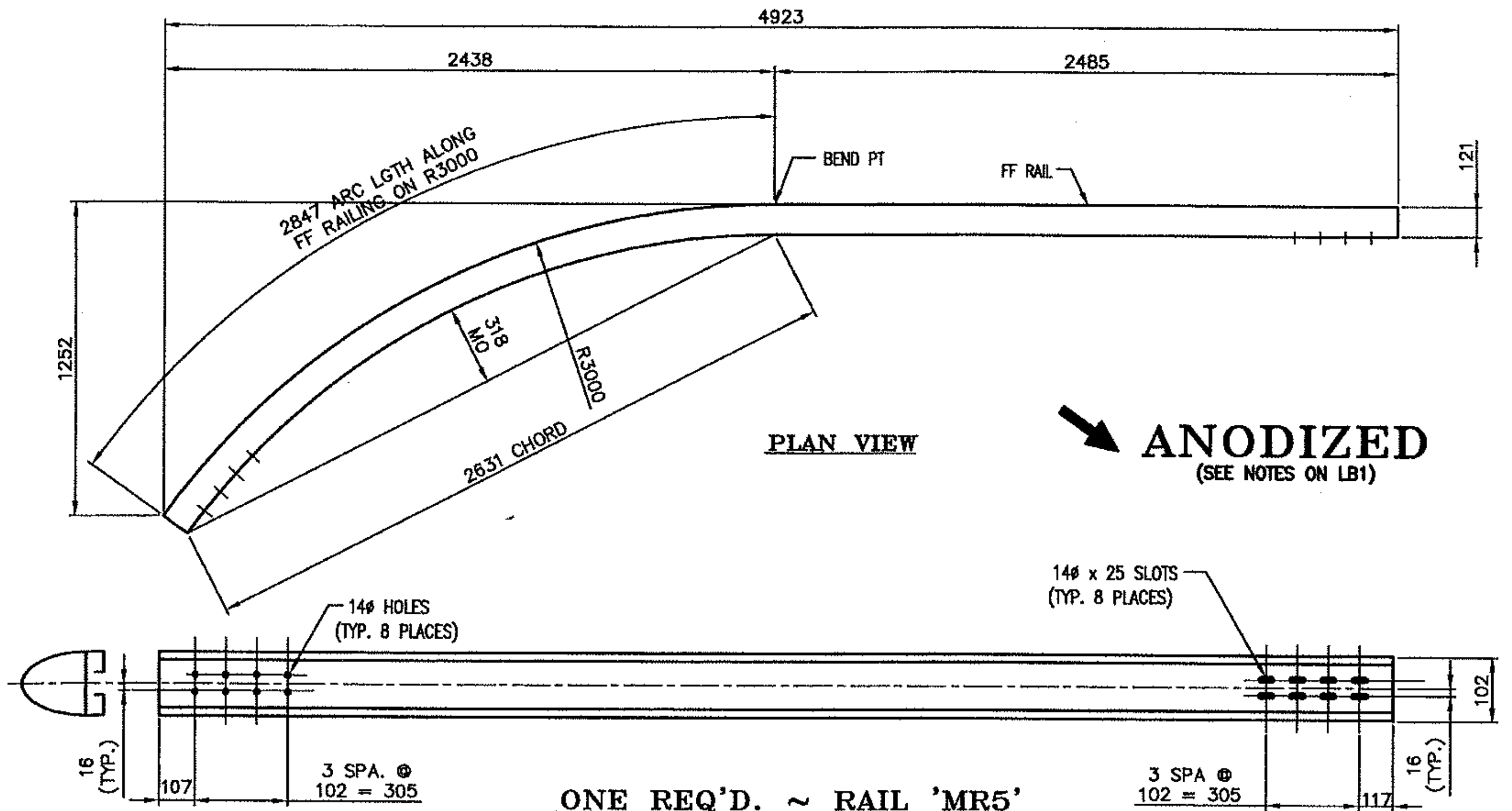


BRIDGE RAILING



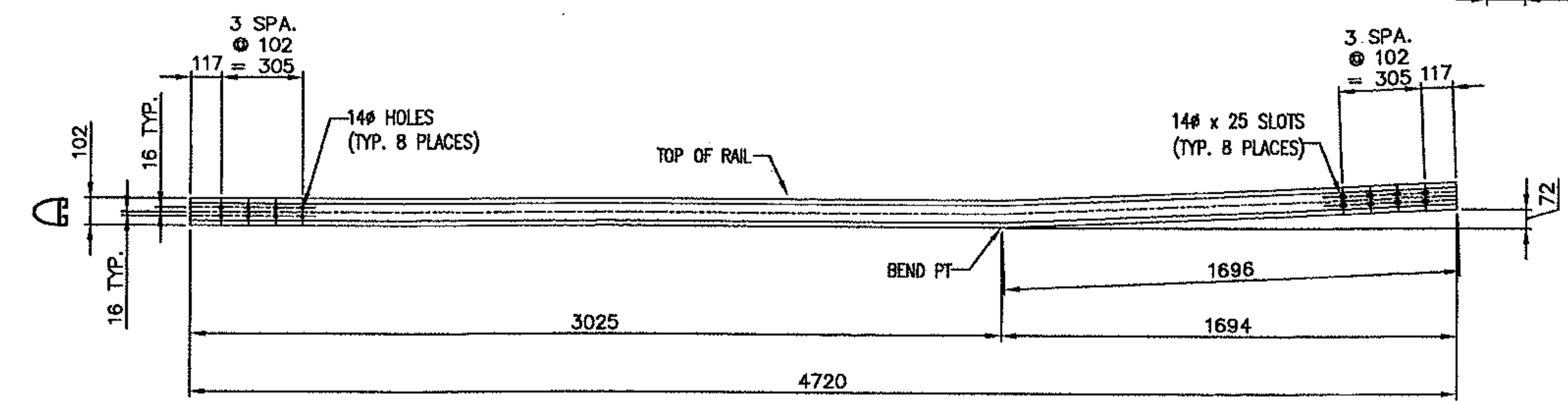
REAR ELEVATION VIEW

BENT RAILS							
MK.	QTY	OAL (ALONG BOTTOM)	LENGTH	OFFSET	"A"	"B"	"C"
MR6	1	4721	4720	72	3025	1694	1696
BR6	1	4716	4716	40	3025	1691	1691
MR8	1	4491	4490	72	2781	1709	1710
BR8	1	4488	4487	39	2798	1689	1690



PLAN VIEW

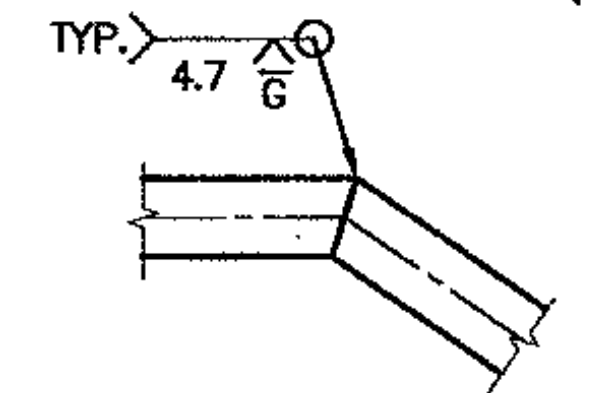
ANODIZED
(SEE NOTES ON LB1)



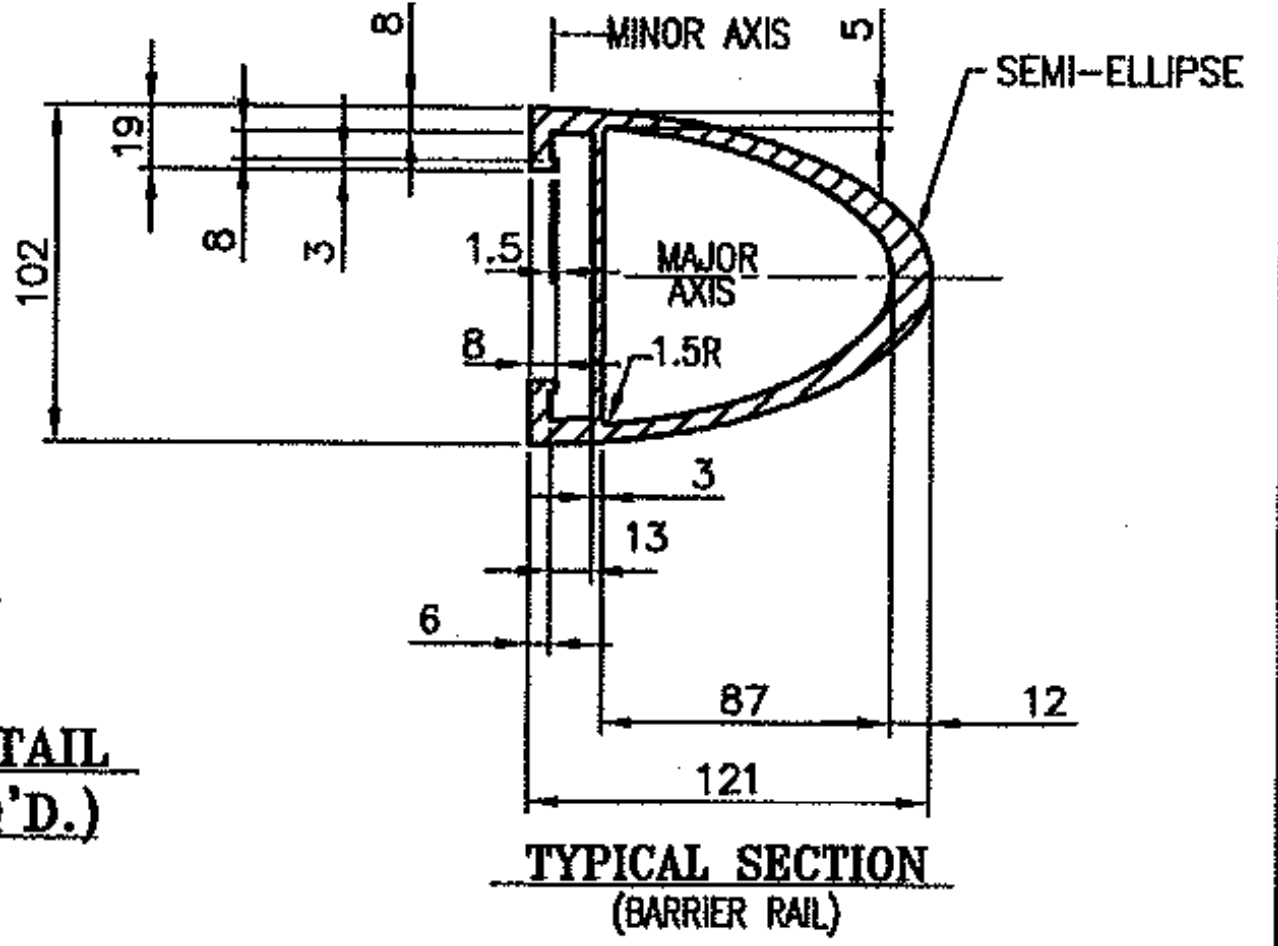
ONE REQ'D. ~ RAIL 'MR5'
(BACK ELEVATION VIEW)

ONE REQ'D. ~ RAIL 'BR5'
(BACK ELEVATION VIEW)

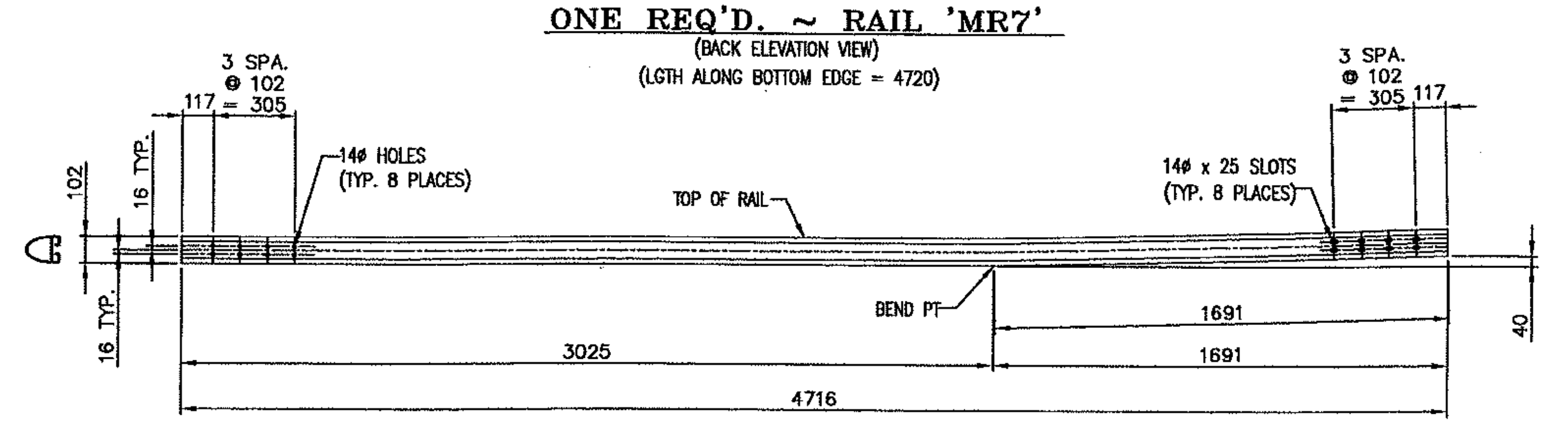
Vermont Agency of Transportation
RECEIVED
CK'D BY WDL OK'D BY GS
7:54 am, Jul 13, 2011
RESUBMIT APPROVED X
BY CWC, Proj. Mgr. DATE 07/13/11



TYPICAL WELD DETAIL
(OPTIONAL IF REQ'D.)



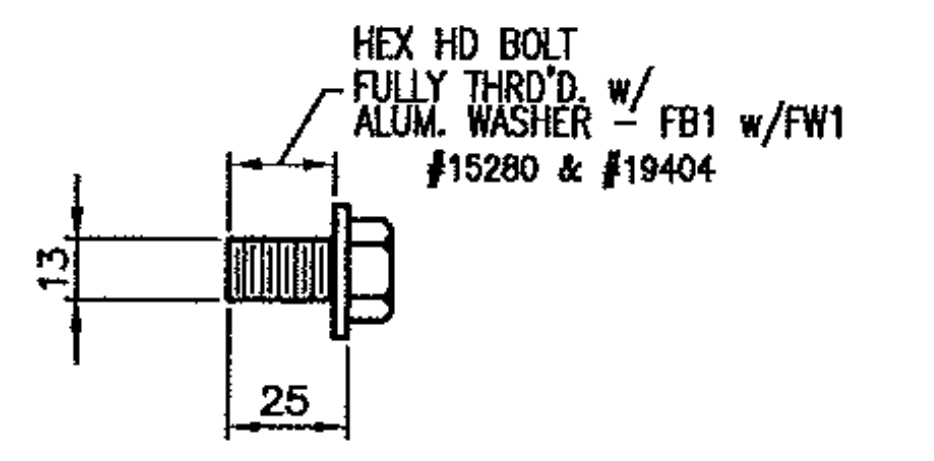
TYPICAL SECTION
(BARRIER RAIL)



ONE REQ'D. ~ RAIL 'MR7'
(BACK ELEVATION VIEW)
(LGTH ALONG BOTTOM EDGE = 4720)



ONE REQ'D. ~ RAIL 'BR7'
(BACK ELEVATION VIEW)
(LGTH ALONG BOTTOM EDGE = 4716)



SPlice Bolt Details

REV.	DESCRIPTION	BY	DATE

PROJECT No. STP 0199 (2) ITEM No: 621.745

APPROVED: _____ REC'D APPROVAL _____
DRAWING

L.B. FOSTER COMPANY
1016 GREENTREE ROAD
PITTSBURGH, PENNSYLVANIA 15220

FOR: F. R. LAFAYETTE, INCORPORATED
VERMONT AGENCY OF TRANSPORTATION
TOWN OF HINESBURG, COUNTY OF CHITTENDEN, VT
APPROACH RAILING FOR BRIDGE #10, TOWN HIGHWAY 4 (MAJ. COLLECTOR) CLASS 2
3L ALUMINUM APPROACH RAIL - RAIL DETAILS

MADE CMS DATE 06/19/11 JOB No. AR0689 CUST. No. _____
CHECK_Dd DATE 06/28/11 DRAWING LB14 REV. No. _____