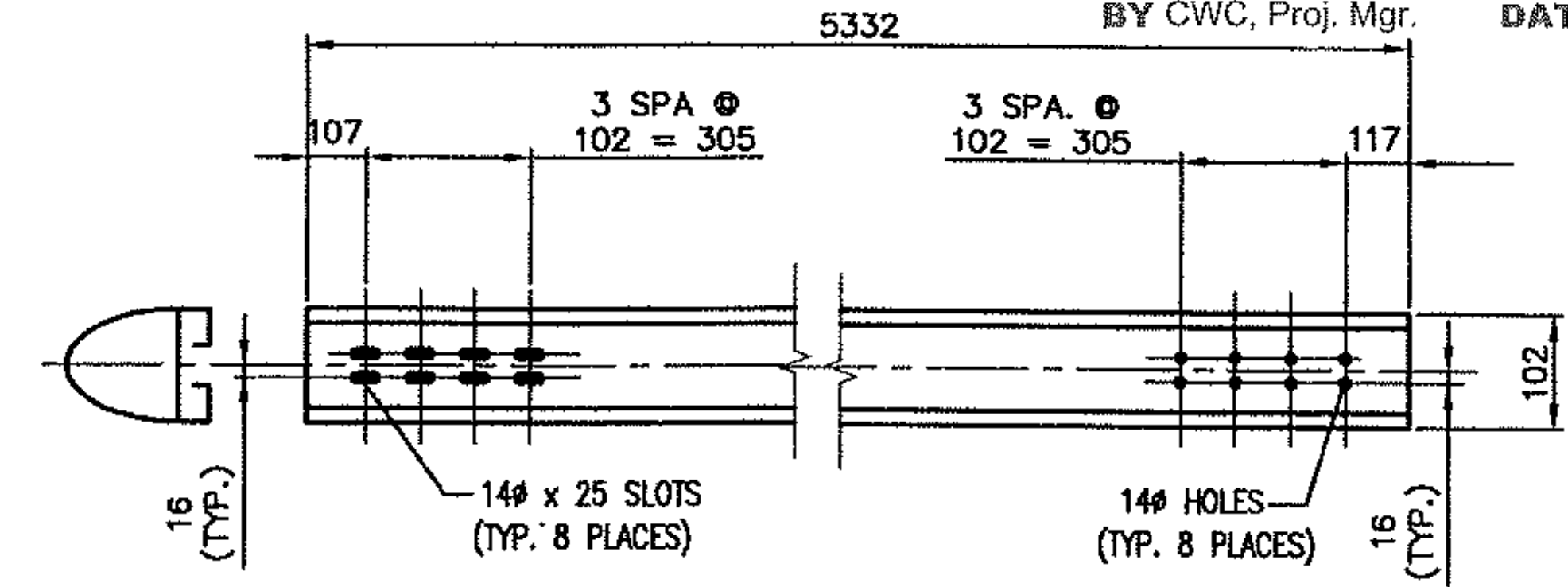
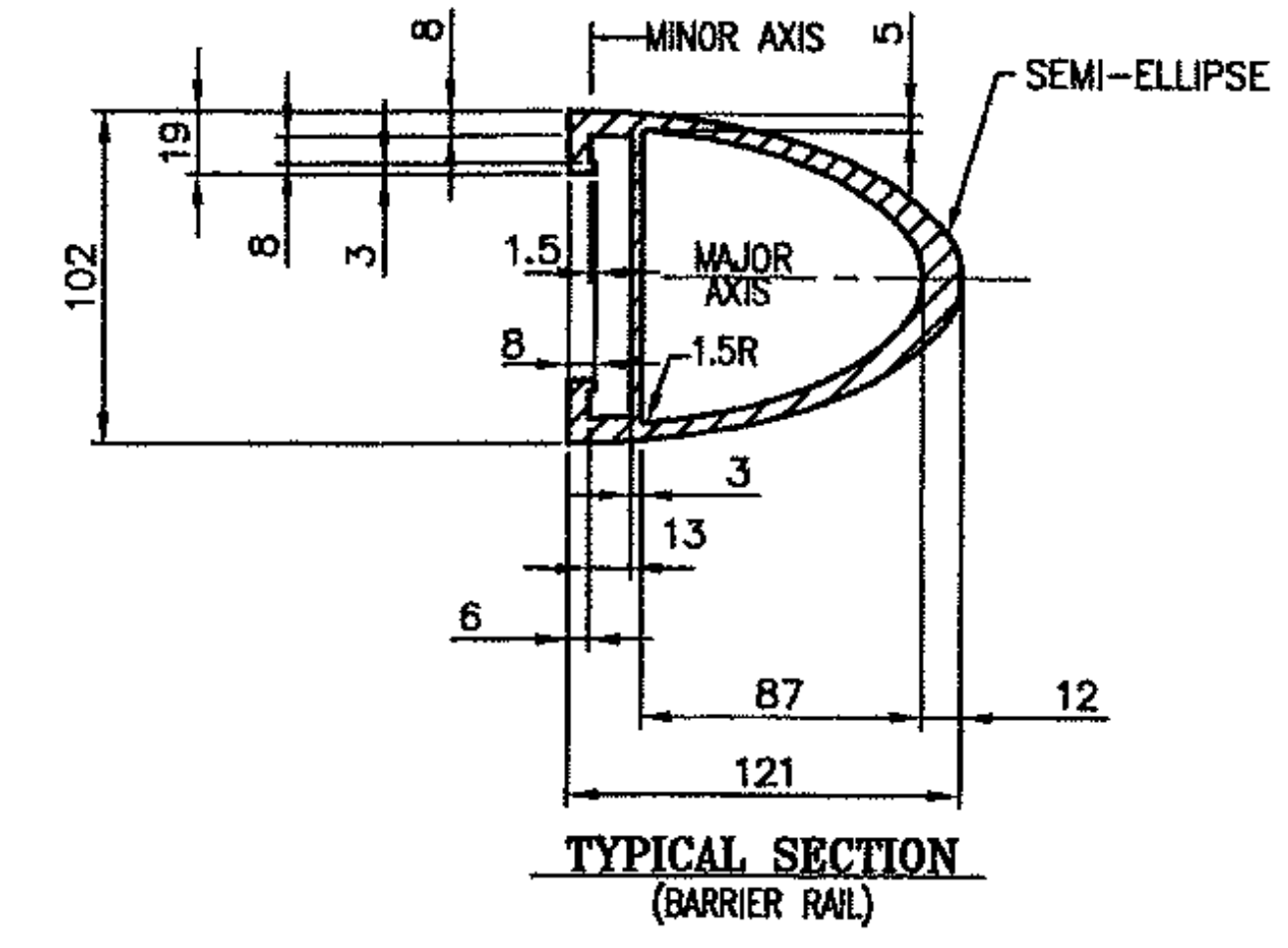
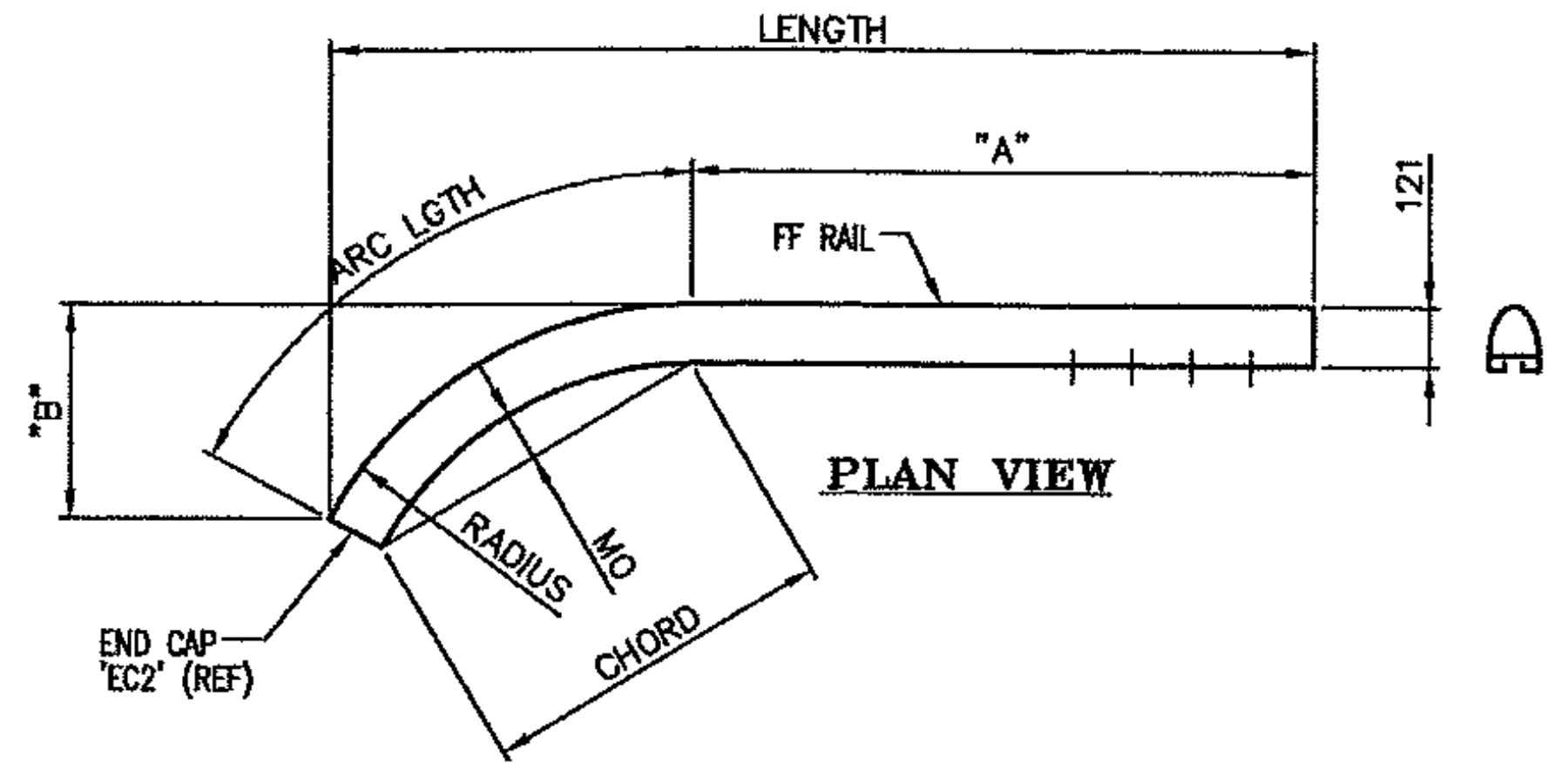


Vermont Agency of Transportation  
**RECEIVED**

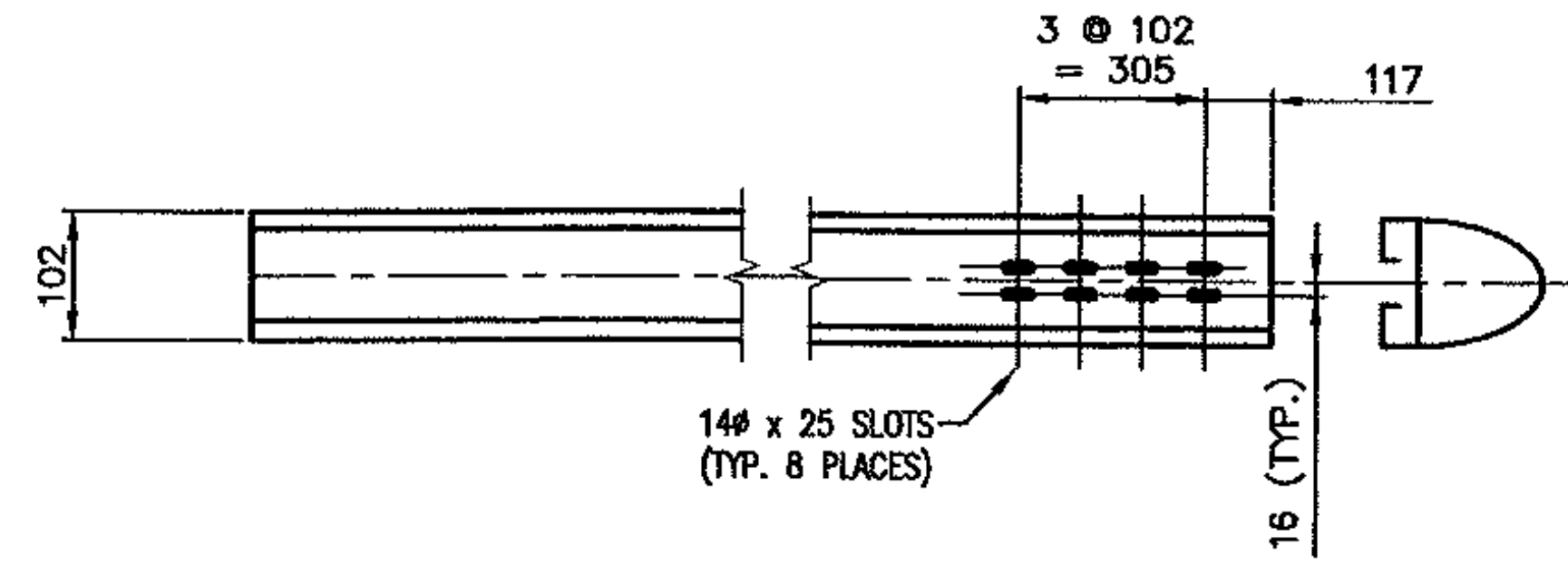
CK'D BY WDL OK'D BY GS

7:54 am, Jul 13, 2011

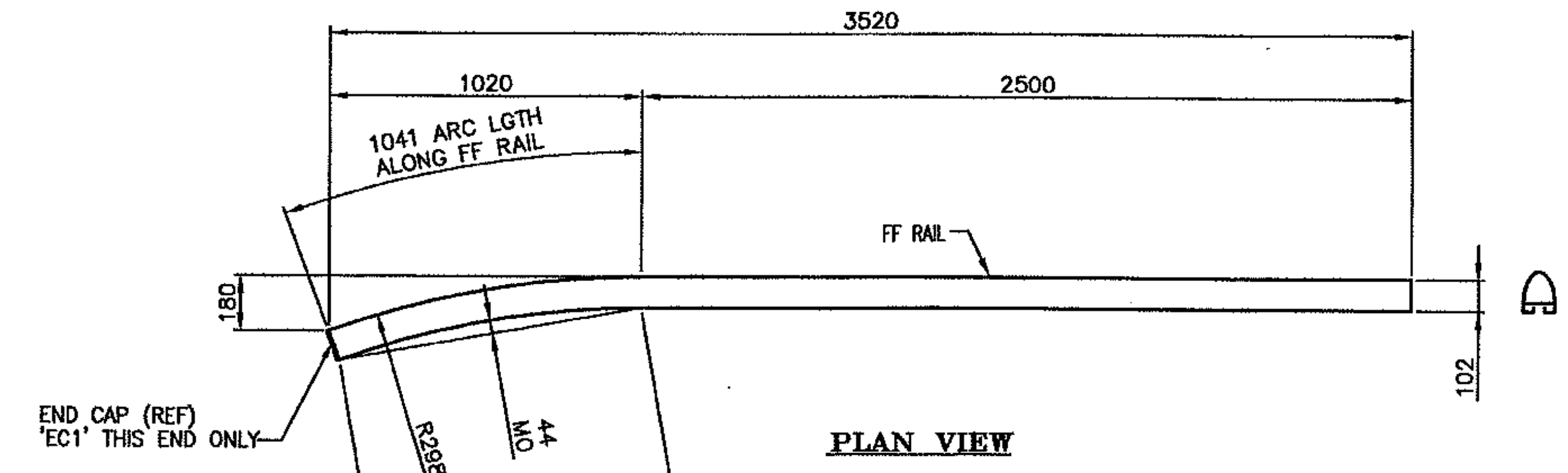
RESUBMIT APPROVED X  
BY CWC, Proj. Mgr. DATE 07/13/11



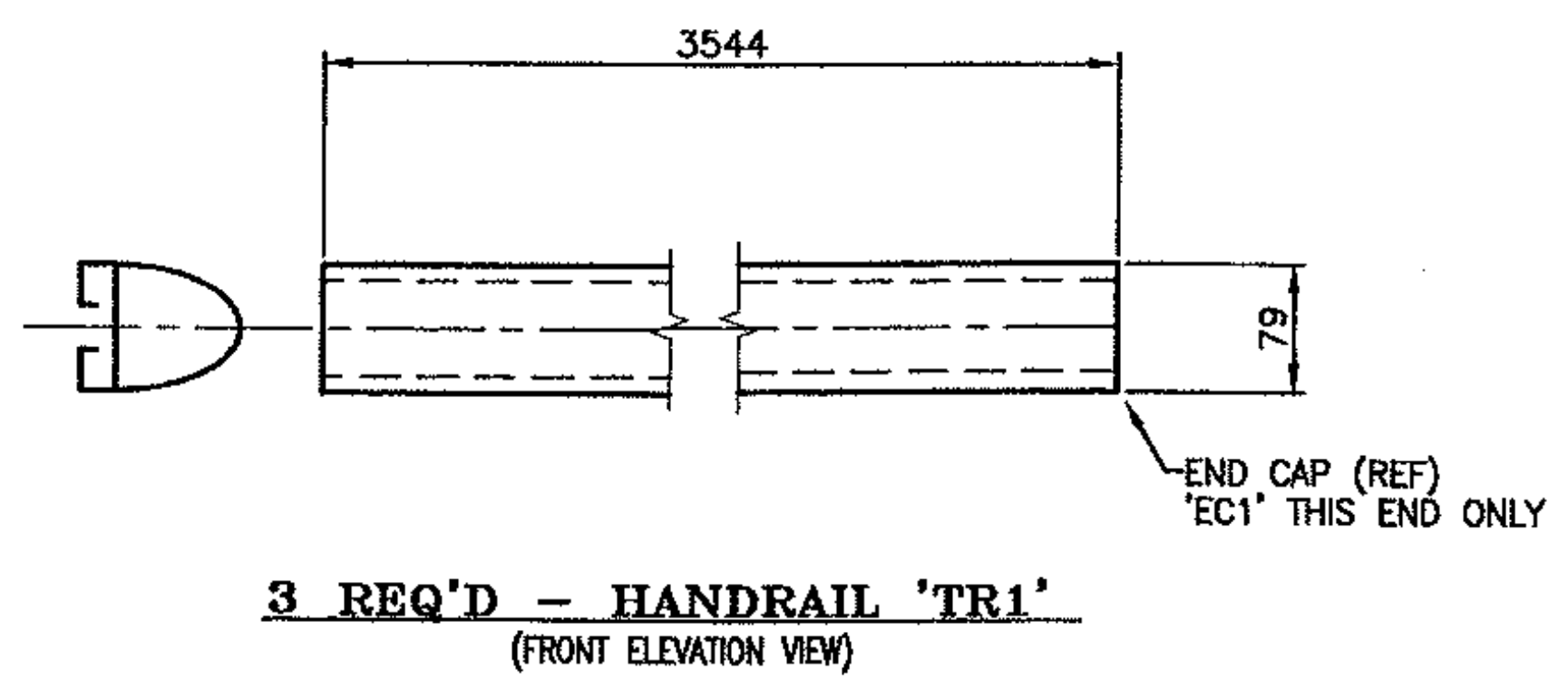
**3 REQ'D. ~ RAIL 'MR4'**  
(BACK ELEVATION VIEW)  
**3 REQ'D. ~ RAIL 'BR4'**  
(BACK ELEVATION VIEW)



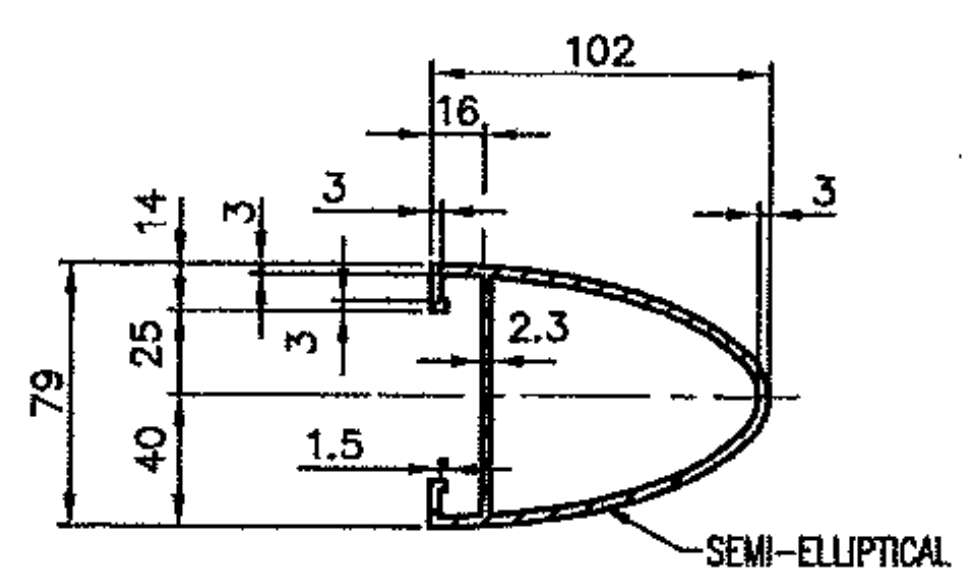
BENT RAILS										MATL FOR BENDING
MK.	QTY	OAL (ALONG FF RAIL)	LENGTH	ARC LGTH	"A"	"B"	MO	CHORD	RADIUS	
MR1	1	7010	6233	4966	2044	2270	589	4649	5000	+762
BR1	1	7010	6233	4966	2044	2270	589	4649	5000	+762
MR2	1	7010	6383	4661	2349	1992	513	4392	5082	+762
BR2	1	7010	6383	4661	2349	1992	513	4392	5082	+762
MR3	1	5332	4734	4539	793	1923	494	4279	5000	+762
BR3	1	5332	4734	4539	793	1923	494	4279	5000	+762



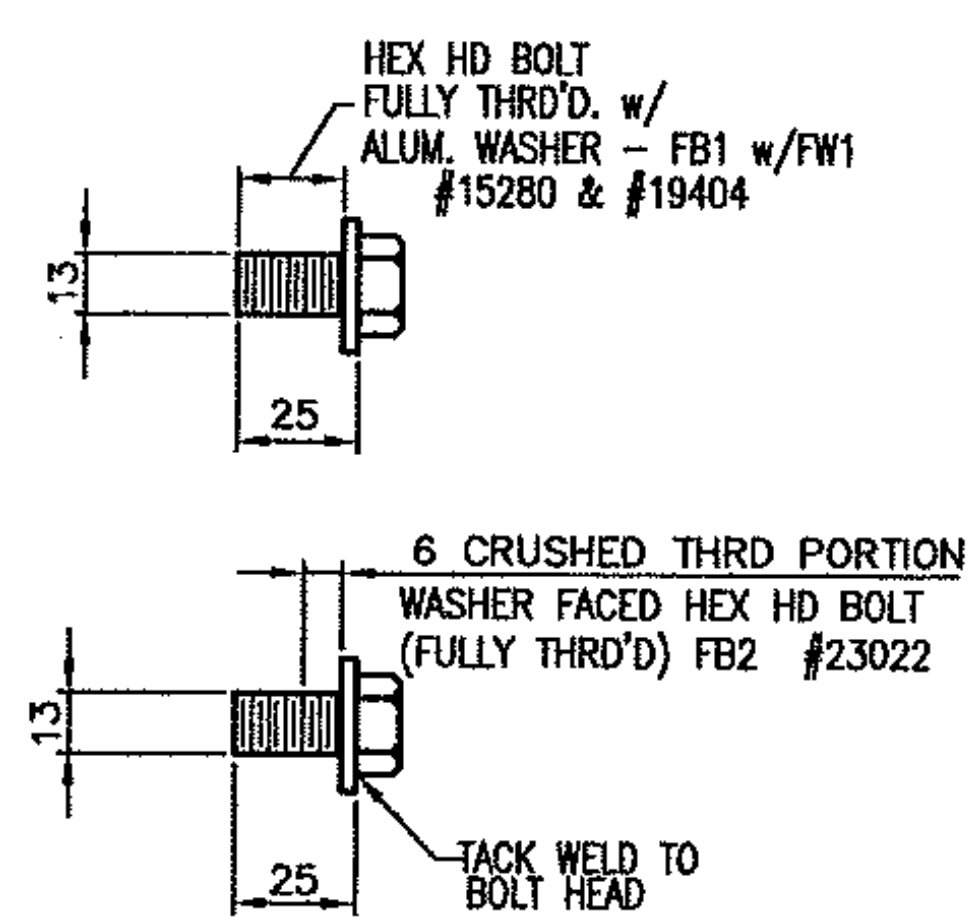
**ONE REQ'D. -- HANDRAIL 'TR2'**  
3541 LGTH ALONG FF RAIL (+762 FOR SHOP BENDING = 4303)



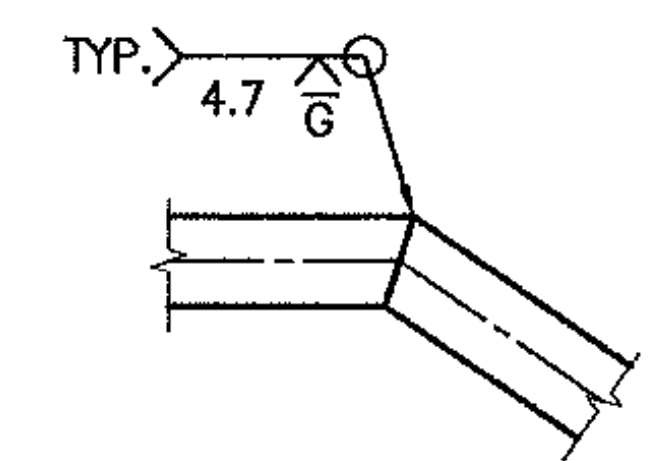
**3 REQ'D. -- HANDRAIL 'TR1'**  
(FRONT ELEVATION VIEW)



**TYPICAL SECTION (HANDRAIL)**



**SPLICE BOLT DETAILS**



**TYPICAL WELD DETAIL (OPTIONAL IF REQ'D.)**

**ANODIZED**  
(SEE NOTES ON LB1)

PROJECT No. STP 0199 (2) ITEM No: 621.745

APPROVED: \_\_\_\_\_ REC'D APPROVAL \_\_\_\_\_  
DRAWING

**L.B. FOSTER COMPANY**  
1016 GREENTREE ROAD  
PITTSBURGH, PENNSYLVANIA 15220

FOR: F. R. LAFAYETTE, INCORPORATED  
VERMONT AGENCY OF TRANSPORTATION  
TOWN OF HINESBURG, COUNTY OF CHITTENDEN, VT  
APPROACH RAILING FOR BRIDGE #10, TOWN HIGHWAY 4 (MAJ. COLLECTOR) CLASS 2  
3L ALUMINUM APPROACH RAIL - RAIL DETAILS

MADE CMS DATE 06/19/11 JOB No. AR0689 CUST. No.  
CHECK\_Dd DATE 06/28/11 DRAWING LB13 REV. No.

REV.	DESCRIPTION	BY	DATE