

**OFFSET BLOCK CHART FOR NE & SW APPROACHES
POSTS P5, P6, P7**

POST No.	OFFSET BLOCK	QTY.	OFFSET BLOCK ~ POST MTG. DIMENSIONS						BEV
			A	B	C	D	E	F (O.C.)	
P5	OB5	2	54	419	496	7	47	493	11
P6	OB6	2	54	395	473	7	47	470	11
P7	OB7	19	51	371	446	0	51	446	SQ

**OFFSET BLOCK CHART FOR NW & SE APPROACHES
POSTS P12, P13**

POST No.	OFFSET BLOCK	QTY.	OFFSET BLOCK ~ POST MTG. DIMENSIONS						BEV
			A	B	C	D	E	F (O.C.)	
P12	OB12	2	55	396	497	9	46	493	11
P13	OB13	2	55	420	474	9	46	470	11

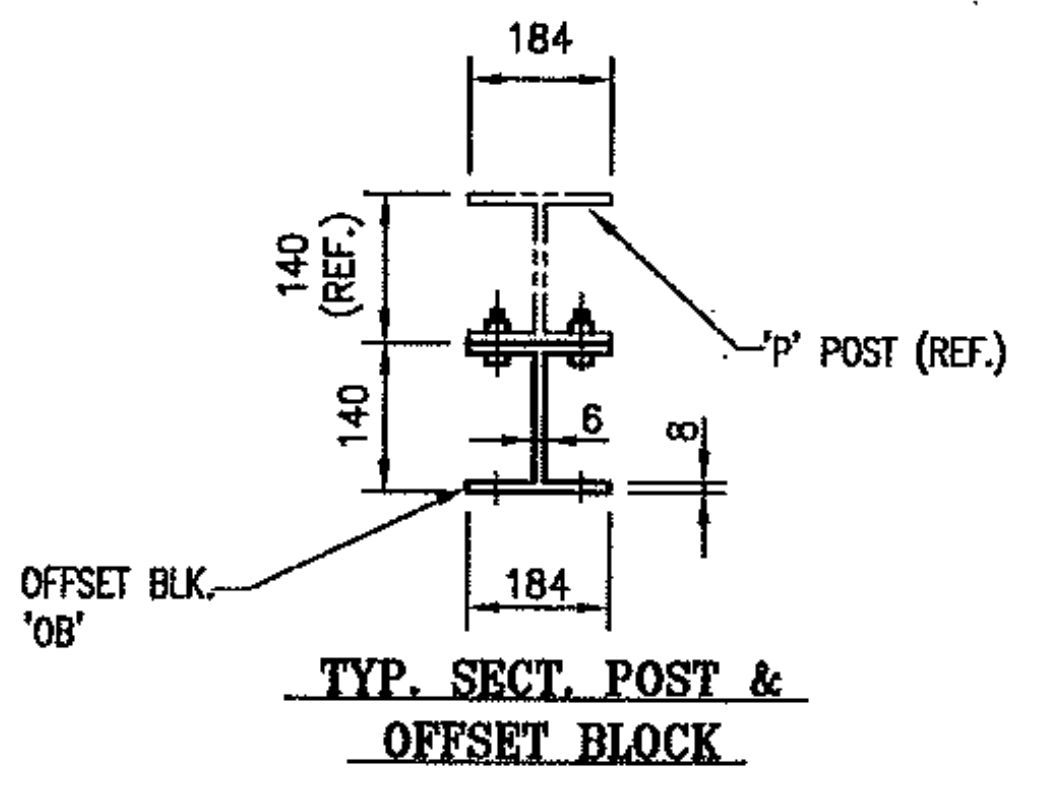
OFFSET BLOCK ~ RAIL MTG. DIMENSIONS

POST No.	OFFSET BLOCK	G	H	J	K
P5	OB5	30	397	28	392
P6	OB6	30	373	28	368
P7	OB7	30	350	30	350

OFFSET BLOCK ~ RAIL MTG. DIMENSIONS

POST No.	OFFSET BLOCK	G	H	J	K
P12	OB12	31	397	28	392
P13	OB13	31	372	28	367

*NOTE:
FOR POST TOPS THAT HAVE BEVELS
LESS THAN OR EQUAL TO 3
- THE POSTS WILL BE TREATED
SQUARE.



NOTE:
2 CLAMPING BARS CB-01-H
(#28596) PER POSTS P1-P4, P8-P11
4 CLAMPING BARS CB-03-A
(#19447) PER POSTS P1-P4,
P8-P11 w/ M13 x 25
S.S. BOLT 'FB1',
27 O.D. x 13 I.D. x 2 ALUM THK
WASHER 'FW1' (#15280 &
#19404) (16 PER POST)

ANODIZED
(SEE NOTES ON LB1)

Vermont Agency of Transportation
RECEIVED
CK'D BY WDL OK'D BY GS
7:54 am, Jul 13, 2011
RESUBMIT _____ APPROVED **X**
BY CWC, Proj. Mgr. DATE 07/13/11

PROJECT No. STP 0199 (2) ITEM No: 621.745

APPROVED: _____ REC'D APPROVAL _____
DRAWING _____

L.B. FOSTER COMPANY
1016 GREENTREE ROAD
PITTSBURGH, PENNSYLVANIA 15220

FOR: F. R. LAFAYETTE, INCORPORATED
VERMONT AGENCY OF TRANSPORTATION
TOWN OF HINESBURG, COUNTY OF CHITTENDEN, VT
APPROACH RAILING FOR BRIDGE #10, TOWN HIGHWAY 4 (MAJ. COLLECTOR) CLASS 2
OFFSET BLOCK DETAILS

MADE CMS DATE 06/19/11 JOB No. ARO689 CUST. No. _____
CHECK Dd DATE 06/28/11 DRAWING LB12 REV. No. _____

REV.	DESCRIPTION	BY	DATE