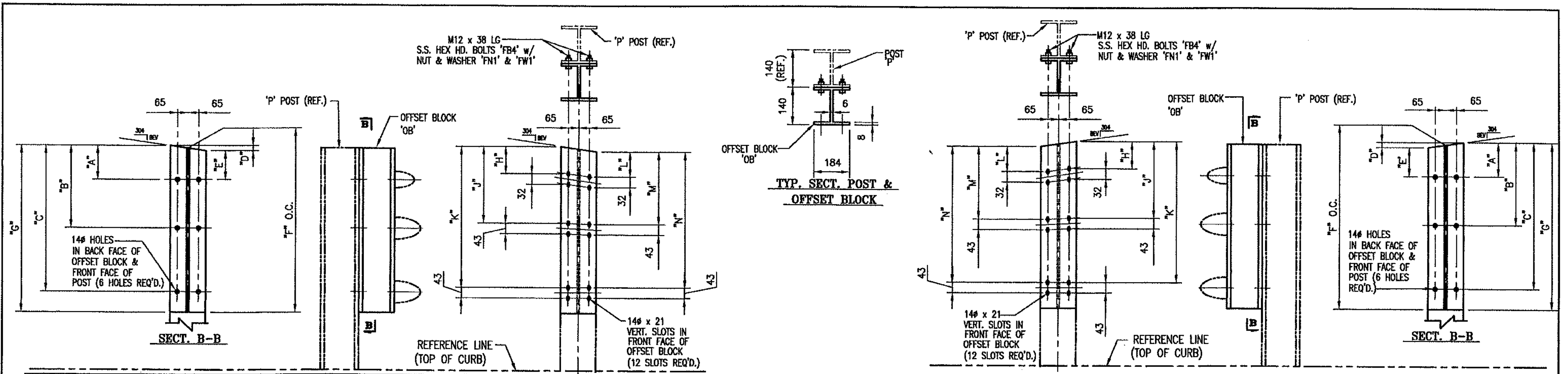


BRIDGE RAILING 97



OFFSET BLOCK CHART FOR SE & NW APPROACHES POSTS P8-P11

POST No.	OFFSET BLOCK	QTY.	OFFSET BLOCK ~ POST MTG. DIMENSIONS							BEV
			A	B	C	D	E	F (O.C.)	G	
P8	OB8	2	48	342	786	17	31	851	860	28
P9	OB9	2	48	299	725	17	31	789	798	28
P10	OB10	2	48	256	663	17	31	728	737	28
P11	OB11	2	48	213	602	17	31	667	676	28

OFFSET BLOCK CHART FOR SW & NE APPROACHES POSTS P1-P4

POST No.	OFFSET BLOCK	QTY.	OFFSET BLOCK ~ POST MTG. DIMENSIONS							BEV
			A	B	C	D	E	F (O.C.)	G	
P1	OB1	2	47	341	785	15	32	851	859	25
P2	OB2	2	47	298	724	15	32	789	797	25
P3	OB3	2	47	255	662	15	32	728	736	25
P4	OB4	2	47	212	601	15	32	667	675	25

OFFSET BLOCK ~ RAIL MTG. DIMENSIONS

POST No.	OFFSET BLOCK	H	J	K	L	M	N
P8	OB8	26	318	763	21	307	749
P9	OB9	26	275	701	21	264	688
P10	OB10	26	232	640	21	221	627
P11	OB11	26	189	579	21	178	565

OFFSET BLOCK ~ RAIL MTG. DIMENSIONS

POST No.	OFFSET BLOCK	H	J	K	L	M	N
P1	OB1	26	317	762	22	307	749
P2	OB2	26	274	701	22	264	688
P3	OB3	26	231	640	22	221	627
P4	OB4	26	188	579	22	178	566

NOTE:
 2 CLAMPING BARS CB-01-H (#28596) PER POSTS P1-P4, P8-P11
 4 CLAMPING BARS CB-03-A (#19447) PER POSTS P1-P4, P8-P11 w/ M13 x 25 S.S. BOLT 'FB1', 27 O.D. x 13 I.D. x 2 ALUM THK WASHER 'FW1' (#15280 & #19404) (16 PER POST)

*NOTE:
 FOR POST TOPS THAT HAVE BEVELS LESS THAN OR EQUAL TO 3 - THE POSTS WILL BE TREATED SQUARE.

ANODIZED
 (SEE NOTES ON LB1)

Vermont Agency of Transportation
RECEIVED
 CK'D BY WDL OK'D BY GS
 7:54 am, Jul 13, 2011
 RESUBMIT _____ APPROVED **X**
 BY CWC, Proj. Mgr. DATE 07/13/11

PROJECT No. STP 0199 (2) ITEM No: 621.745

APPROVED: _____ REC'D APPROVAL _____
 DRAWING _____

L.B. FOSTER COMPANY
 1016 GREENTREE ROAD
 PITTSBURGH, PENNSYLVANIA 15220

FOR: F. R. LAFAYETTE, INCORPORATED
 VERMONT AGENCY OF TRANSPORTATION
 TOWN OF HINESBURG, COUNTY OF CHITTENDEN, VT
 APPROACH RAILING FOR BRIDGE #10, TOWN HIGHWAY 4 (MAJ. COLLECTOR) CLASS 2
 OFFSET BOX DETAILS

MADE CMS DATE 06/18/11 JOB No. ARO689 CUST. No. _____
 CHECK Dd DATE 06/28/11 DRAWING LB11 REV. No. _____

REV.	DESCRIPTION	BY	DATE